

CROSS SLOPES:

- (1) MATCH EXISTING
- (2) 1.0%
- (3) SUPERELEVATION RATE

NOT TO SCALE

"THIS MEDIA SHOULD NOT BE CONSIDERED A CERTIFIED DOCUMENT."

DATE PREPARED
11/3/2017

ROUTE 47 STATE MO

DISTRICT SL SHEET NO. 2

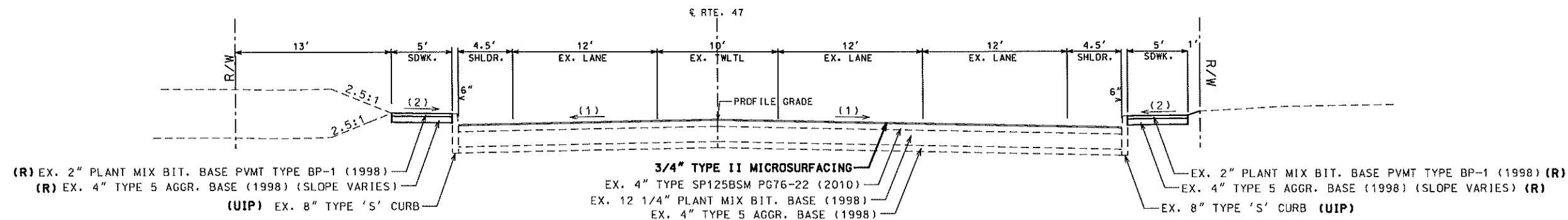
COUNTY FRANKLIN

JOB NO. J6S3207

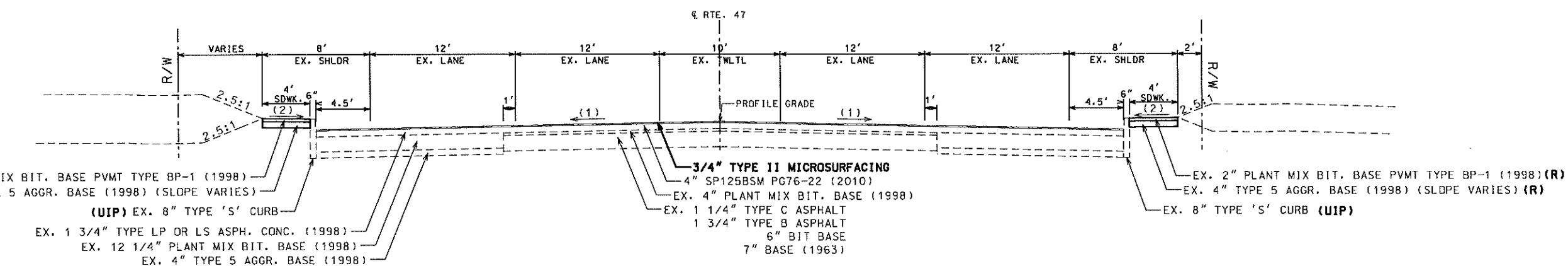
CONTRACT ID.

PROJECT NO.

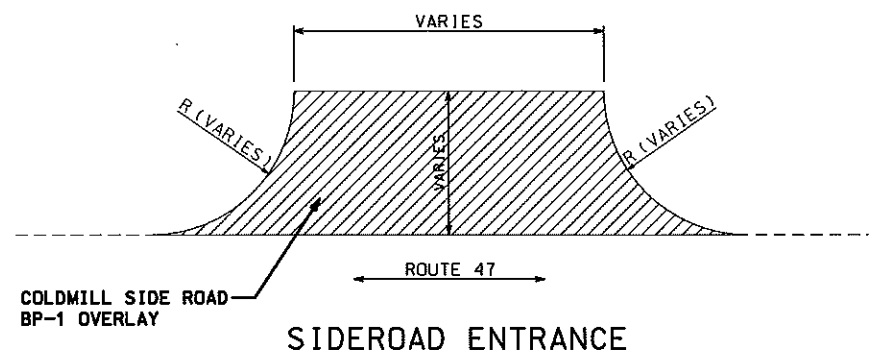
BRIDGE NO.



SECTION ON TANGENT
TYPICAL SECTION RTE. 47
STA. 8+00.00 TO STA. 12+05.00



SECTION ON TANGENT
TYPICAL SECTION RTE. 47
STA. 12+05.00 TO STA. 16+01.87



DISCLAIMER
THE PROFESSIONAL WHOSE SIGNATURE AND PERSONAL SEAL APPEAR HEREON ASSUMES RESPONSIBILITY ONLY FOR WHAT APPEARS ON THIS PAGE, AND DISCLAIMS (PURSUANT TO SECTION 327.411 RSMO) SPECIFICATION, ESTIMATES, REPORTS, OR OTHER DOCUMENTS OR INSTRUMENTS NOT SEALED BY THE UNDERSIGNED PROFESSIONAL RELATING TO OR INTENDED TO BE USED FOR ANY PART OR PARTS OF THE PROJECT TO WHICH THIS PAGE REFERS.

DESCRIPTION

DATE

MISSOURI HIGHWAYS AND TRANSPORTATION COMMISSION



105 WEST CAPITOL
JEFFERSON CITY, MO 65102
1-888-ASK-MODOT (1-888-275-6636)

ROUTE 47
TYPICAL SECTIONS
SHEET 1 OF 4

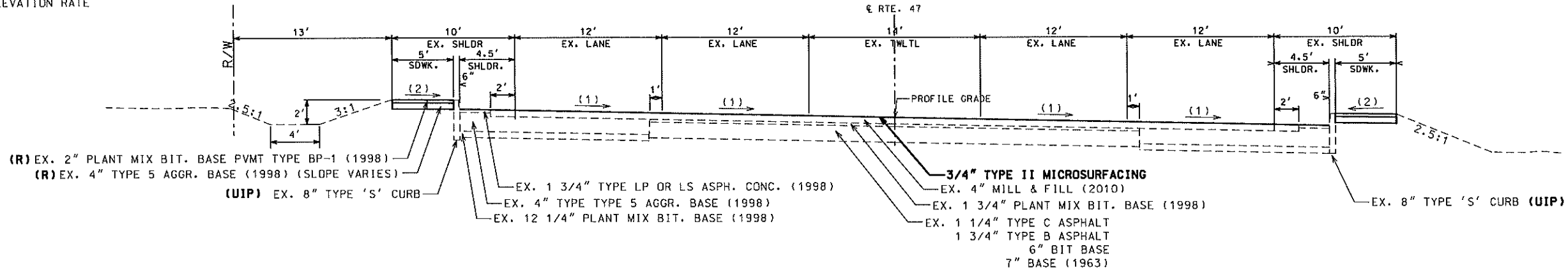
IF A SEAL IS PRESENT ON THIS SHEET IT HAS BEEN ELECTRONICALLY SEALED AND DATED.

CROSS SLOPES:
 (1) MATCH EXISTING
 (2) 2.0%
 (3) SUPERELEVATION RATE

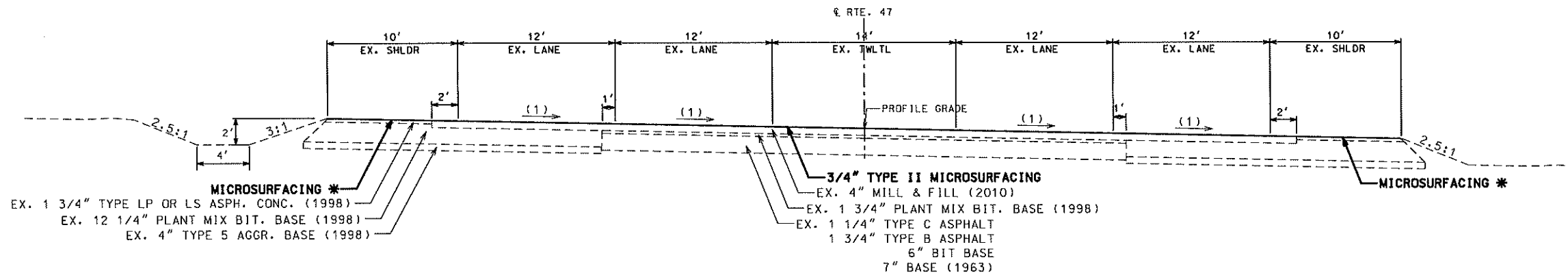
NOT TO SCALE

"THIS MEDIA SHOULD NOT BE CONSIDERED A CERTIFIED DOCUMENT."

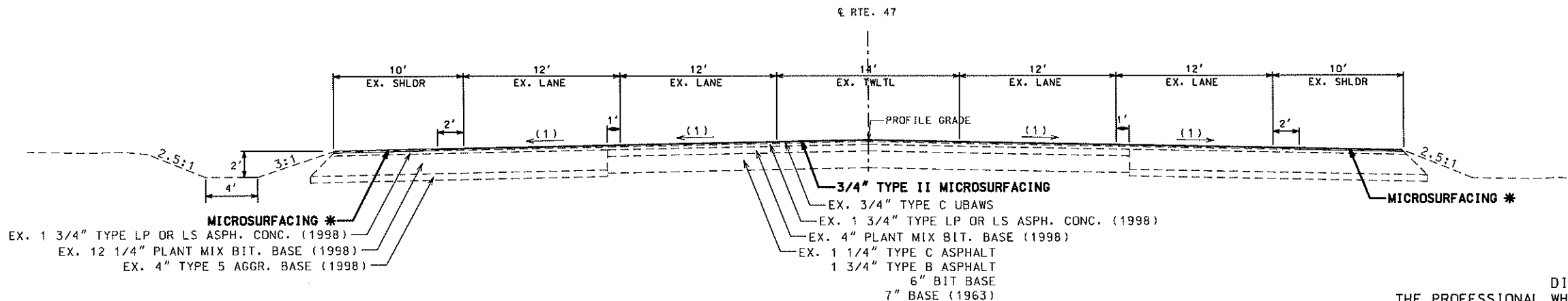
DATE PREPARED 11/3/2017	
ROUTE 47	STATE MO
DISTRICT SL	SHEET NO. 2
COUNTY FRANKLIN	
JOB NO. J6S3207	
CONTRACT ID.	
PROJECT NO.	
BRIDGE NO.	



SECTION ON SUPERELEVATION
 TYPICAL SECTION RTE. 47
 STA. 16+01.87 TO STA. 19+00.05



SECTION ON SUPERELEVATION
 TYPICAL SECTION RTE. 47
 STA. 19+00.05 TO STA. 21+50.03
 STA. 69+60.00 TO STA. 77+73.43



SECTION ON TANGENT
 TYPICAL SECTION RTE. 47
 STA. 21+50.03 TO STA. 24+70.22
 STA. 37+12.12 TO STA. 37+87.12
 STA. 49+30.00 TO STA. 61+79.00

* NOTE:
 EX. RUMBLE STRIPS NOT TO CURRENT STANDARDS.
 NEED TO RE-EVALUATE PAVEMENT TREATMENT ON THE SHOULDER

DISCLAIMER
 THE PROFESSIONAL WHOSE SIGNATURE AND PERSONAL SEAL APPEAR HEREON ASSUMES RESPONSIBILITY ONLY FOR WHAT APPEARS ON THIS PAGE, AND DISCLAIMS (PURSUANT TO SECTION 327.411 RSMO) SPECIFICATION, ESTIMATES, REPORTS, OR OTHER DOCUMENTS OR INSTRUMENTS NOT SEALED BY THE UNDERSIGNED PROFESSIONAL RELATING TO OR INTENDED TO BE USED FOR ANY PART OR PARTS OF THE PROJECT TO WHICH THIS PAGE REFERS.

DESCRIPTION	DATE

MISSOURI HIGHWAYS AND TRANSPORTATION COMMISSION

105 WEST CAPITOL
 JEFFERSON CITY, MO 65102
 1-888-ASK-MODOT (1-888-275-6636)

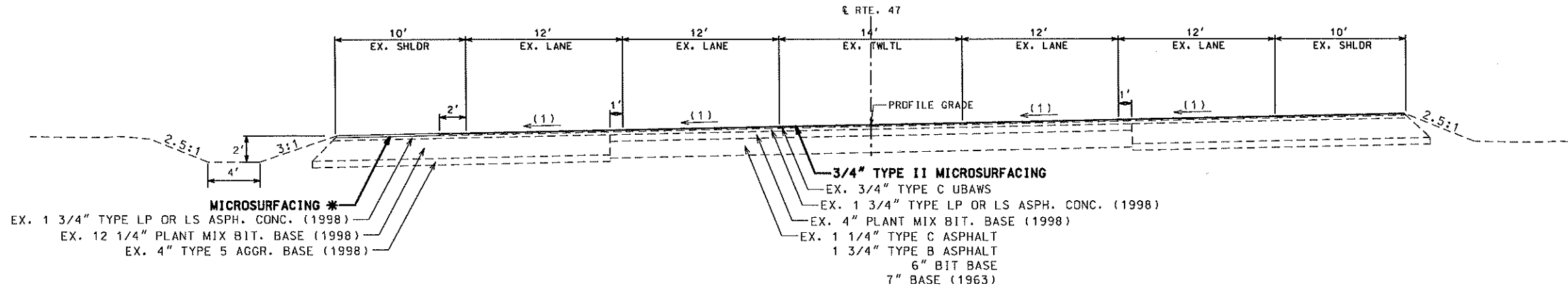
ROUTE 47
 TYPICAL SECTIONS
 SHEET 2 OF 4

IF A SEAL IS PRESENT ON THIS SHEET IT HAS BEEN ELECTRONICALLY SEALED AND DATED.

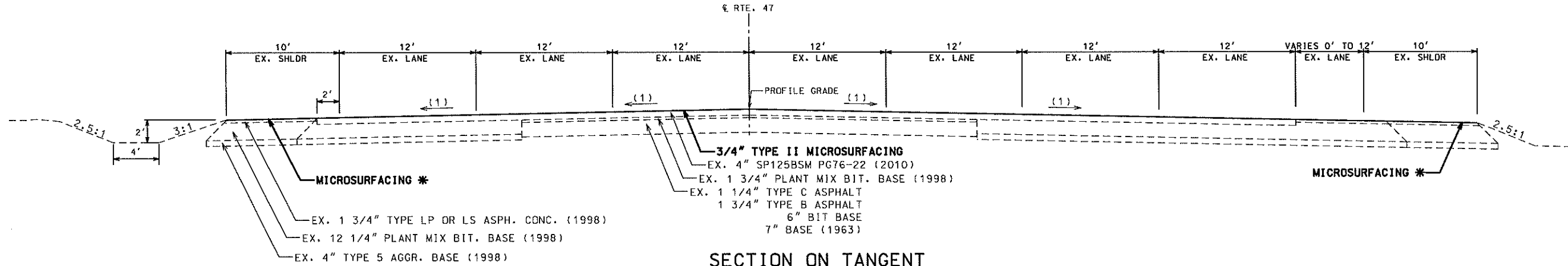
CROSS SLOPES:
 (1) MATCH EXISTING
 (2) 2.0%
 (3) SUPERELEVATION RATE

NOT TO SCALE

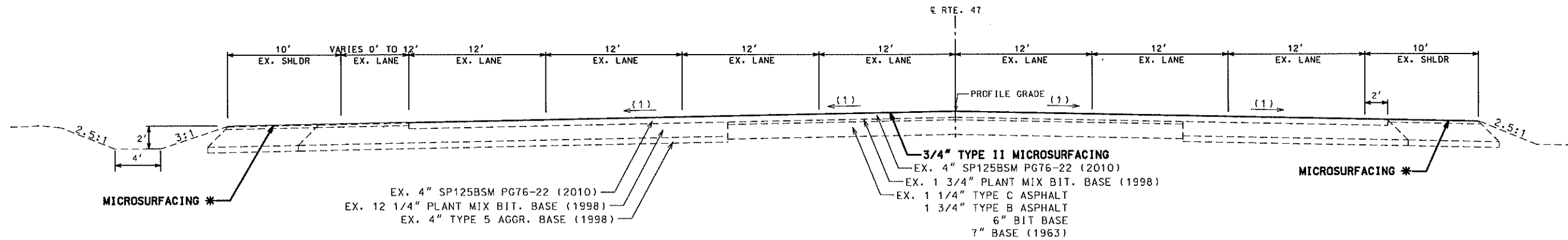
"THIS MEDIA SHOULD NOT BE CONSIDERED A CERTIFIED DOCUMENT."



SECTION ON SUPERELEVATION
 TYPICAL SECTION RTE. 47
 STA. 24+70.22 TO STA. 37+12.12



SECTION ON TANGENT
 TYPICAL SECTION RTE. 47
 STA. 61+79.00 TO STA. 66+00.54



SECTION ON TANGENT
 TYPICAL SECTION RTE. 47
 STA. 66+00.54 TO STA. 67+17.25


DISCLAIMER
 THE PROFESSIONAL WHOSE SIGNATURE AND PERSONAL SEAL APPEAR HEREON ASSUMES RESPONSIBILITY ONLY FOR WHAT APPEARS ON THIS PAGE, AND DISCLAIMS (PURSUANT TO SECTION 327.411 RSMO) SPECIFICATION, ESTIMATES, REPORTS, OR OTHER DOCUMENTS OR INSTRUMENTS NOT SEALED BY THE UNDERSIGNED PROFESSIONAL RELATING TO OR INTENDED TO BE USED FOR ANY PART OR PARTS OF THE PROJECT TO WHICH THIS PAGE REFERS.

* NOTE: EXISTING RUMBLE STRIPS NOT TO CURRENT STANDARDS. NEED TO RE-EVALUATE PAVEMENT TREATMENT ON THE SHOULDER.

DATE PREPARED 11/3/2017	
ROUTE 47	STATE MO
DISTRICT SL	SHEET NO. 2
COUNTY FRANKLIN	
JOB NO. J6S3207	
CONTRACT ID.	
PROJECT NO.	
BRIDGE NO.	

DESCRIPTION	DATE

MISSOURI HIGHWAYS AND TRANSPORTATION COMMISSION



105 WEST CAPITOL
 JEFFERSON CITY, MO 65102
 1-888-ASK-MODOT (1-888-275-6636)

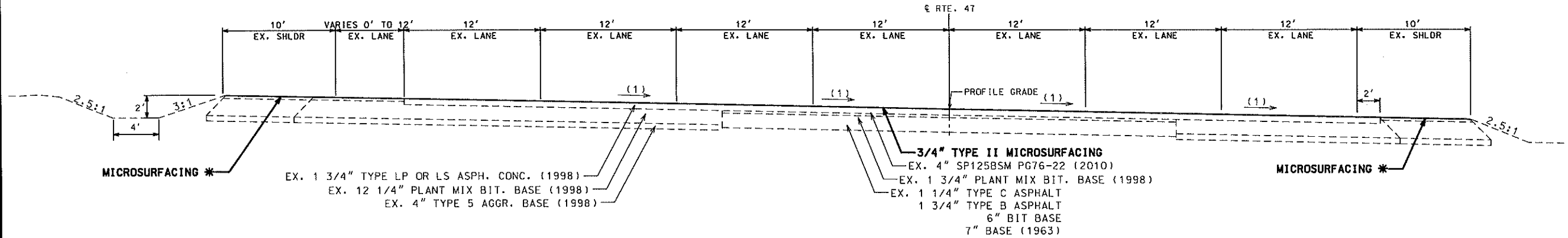
ROUTE 47
 TYPICAL SECTIONS
 SHEET 3 OF 4

IF A SEAL IS PRESENT ON THIS SHEET IT HAS BEEN ELECTRONICALLY SEALED AND DATED.

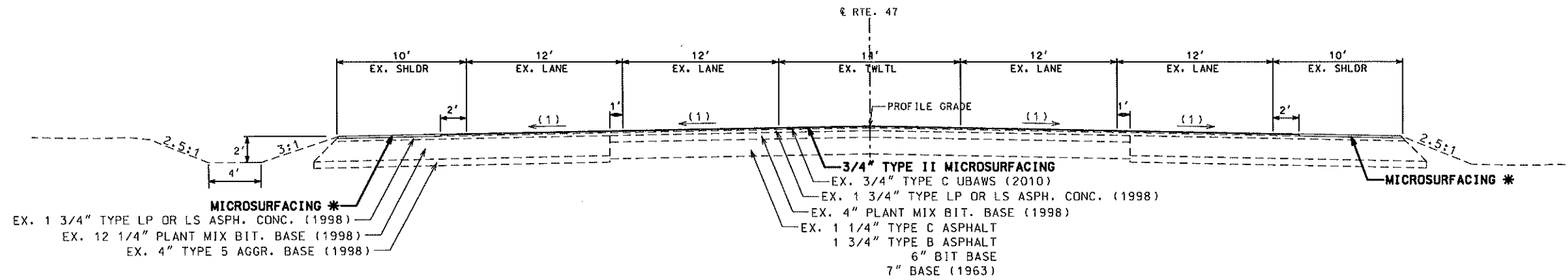
CROSS SLOPES:

NOT TO SCALE

(1) MATCH EXISTING



SECTION ON SUPERELEVATION
TYPICAL SECTION RTE. 47
STA. 67+17.25 TO STA. 69+60.00



SECTION ON TANGENT
TYPICAL SECTION RTE. 47
STA. 37+87.12 TO STA. 49+30.00
STA. 73+73.43 TO STA. 88+32.00

DISCLAIMER
THE PROFESSIONAL WHOSE SIGNATURE AND PERSONAL SEAL APPEAR HEREON ASSUMES RESPONSIBILITY ONLY FOR WHAT APPEARS ON THIS PAGE, AND DISCLAIMS (PURSUANT TO SECTION 327.411 RSMO) SPECIFICATION, ESTIMATES, REPORTS, OR OTHER DOCUMENTS OR INSTRUMENTS NOT SEALED BY THE UNDERSIGNED PROFESSIONAL RELATING TO OR INTENDED TO BE USED FOR ANY PART OR PARTS OF THE PROJECT TO WHICH THIS PAGE REFERS.

* NOTE: EX. RUMBLE STRIPS NOT TO CURRENT STANDARDS. NEED TO RE-EVALUATE PAVEMENT TREATMENT ON THE SHOULDER.

"THIS MEDIA SHOULD NOT BE CONSIDERED A CERTIFIED DOCUMENT."

DATE PREPARED 11/3/2017	
ROUTE 47	STATE MO
DISTRICT SL	SHEET NO. 2
COUNTY FRANKLIN	
JOB NO. J6S3207	
CONTRACT TO.	
PROJECT NO.	
BRIDGE NO.	

DESCRIPTION	DATE

MISSOURI HIGHWAYS AND TRANSPORTATION COMMISSION

105 WEST CAPITOL
JEFFERSON CITY, MO 65102
1-888-ASK-MODDOT (1-888-275-6636)

ROUTE 47
TYPICAL SECTIONS
SHEET 4 OF 4

IF A SEAL IS PRESENT ON THIS SHEET IT HAS BEEN ELECTRONICALLY SEALED AND DATED.