

"THIS MEDIA SHOULD NOT BE CONSIDERED A CERTIFIED DOCUMENT."

DATE PREPARED  
11/23/2016

ROUTE STATE  
DISTRICT SHEET NO.  
MO

COUNTY

JOB NO.

CONTRACT ID.

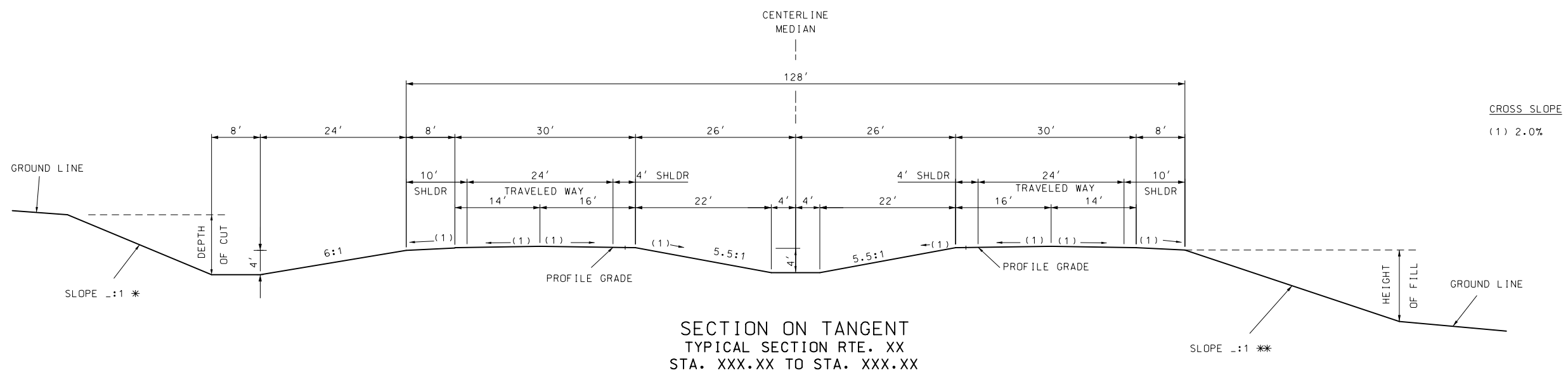
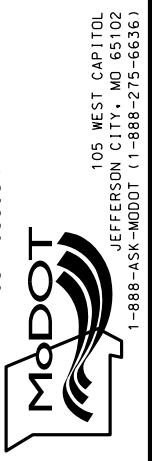
PROJECT NO.

BRIDGE NO.

DESCRIPTION

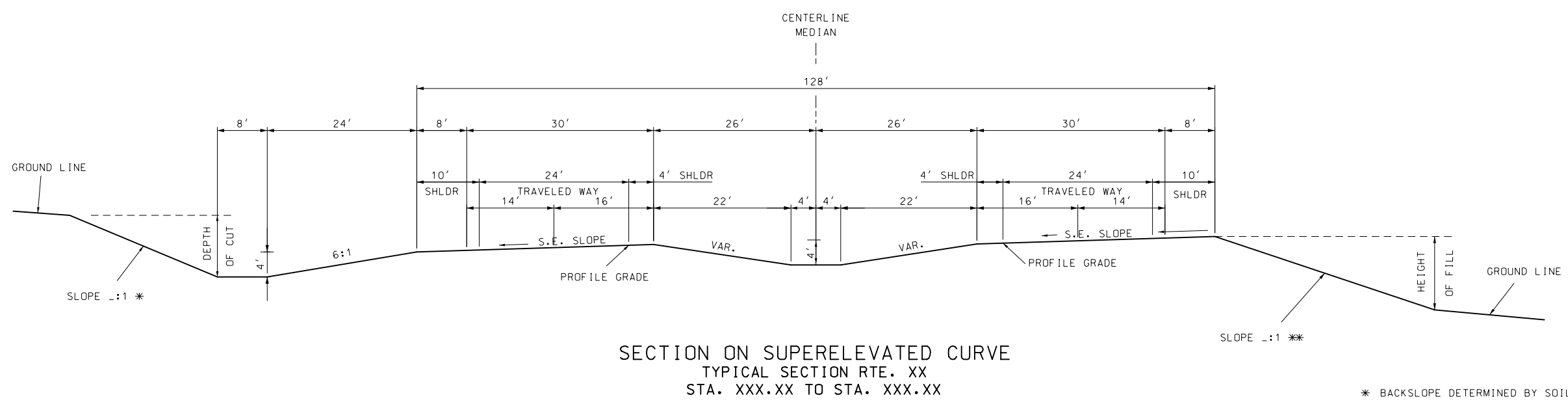
DATE

MISSOURI HIGHWAYS AND TRANSPORTATION COMMISSION



SECTION ON TANGENT  
TYPICAL SECTION RTE. XX  
STA. XXX.XX TO STA. XXX.XX

SEE STANDARDS 203.21, 606.00 AND 609.40 FOR SHOULDER WIDENING.



SECTION ON SUPERELEVATED CURVE  
TYPICAL SECTION RTE. XX  
STA. XXX.XX TO STA. XXX.XX

- \* BACKSLOPE DETERMINED BY SOIL SURVEY.
- \*\* THE FILL SLOPE SHALL BE 6:1 OR FLATTER WHEN THE FILL HEIGHT IS EQUAL TO OR LESS THAN 4 FEET (I.E., THE OFFSET FROM THE TOE OF FILL TO THE SHOULDER POINT IS A MINIMUM OF 24 FEET). THE SLOPE MAY VARY TO MEET THIS REQUIREMENT. FOR FILL HEIGHTS GREATER THAN 4 FEET, THE SLOPE SHALL NOT EXCEED THE MAXIMUM SLOPE DETERMINED BY THE SOIL SURVEY.

D-61F	
FUNCTION	INTERSTATE
ADT	> 1700
TRAVELED WAY WIDTH	24'
ROADBED WIDTH	128'
FORESLOPE	6:1
DITCH	4'