



**MISSOURI DEPARTMENT OF TRANSPORTATION
 INFORMAL QUOTE GUIDELINES AND DOCUMENTATION
 FOR PURCHASES ABOVE \$3,000 TO \$24,999.99
 THIS IS NOT AN ORDER**

**REQUEST FOR QUOTATION
 MoDOT CENTRAL DISTRICT**

It is the vendor's responsibility to read and comply with all conditions, specifications, and instructions outlined in this document. This document and any subsequent attachments shall supersede all confirmation forms, receipts, or any other paperwork needed to secure materials, equipment, or services.

TODAY'S DATE: JANUARY 10, 2013	QUOTE DUE BY (DATE AND TIME): JANUARY 17, 2013 (10:00 AM CST) FAX BACK TO; (573) 526-6796	F.O.B. REQUIREMENTS: FOB DESTINATION
TO BE DELIVERED/COMPLETED NO LATER THAN: EIGHT (8) WEEKS AFTER RECEIPT OF ORDER OR SOONER	QUOTATION #: CD-13-025Q THIS QUOTATION # SHOULD BE REFERENCED ON ALL MAILING LABELS, ENVELOPES, AND ANY OTHER CORRESPONDENCE.	BUYER NAME: SHELDON REDEL PHONE NUMBER: 573-751-7708 FAX NUMBER: 573-526-6796
District Mailing Address: MODOT – Central Missouri District General Services 1511 Missouri Blvd Jefferson City, MO 65102	DELIVERY LOCATION(S): MoDOT Bridge Crew 744 MODOT Dr. Jefferson City, MO. 65101	

The Missouri Department of Transportation (MoDOT) is requesting quotes from suppliers to establish pricing for delivered to the Central District.

ITEM	U/M	QTY	DESCRIPTION	UNIT PRICE	EXTENDED UNIT PRICE
1	Each	2	Sheet No.1: Hinge Modification Near Bent No. 8	\$	\$
2	Each	2	Sheet No. 2: Laminated Neoprene Bearing Pad Assembly	\$	\$
TOTAL					\$

ALL QUOTES MAY BE FAXED BACK TO (573) 526-6796 or RECEIVED VIA EMAIL IN A PDF DOCUMENT TO: sheldon.redel@modot.mo.gov

If by email, subject line should include: RFQ CD-13-025Q Bridge Girder Replacement Parts

Award will be based on the lowest total price of all items meeting listed requirements.

VENDOR NAME:

(Please enter your company name in this block)

MINIMUM SPECIFICATIONS:

- Meet all the requirements as listed on the two (2) pages of proposed drawing.
- Must be completed in accordance to the Missouri Standard Specifications For Highway Construction 2011 and ASTM requirements. Note certification requirements, approval of shop drawings and inspections.
- Delivery of products no later than four (4) weeks after receipt of order. (See Liquidated Damages)
- All products will be inspected by a MODOT Bridge Engineer for compliance of meeting the listed drawings prior to acceptance. MODOT will not be responsible for payment for products that do not meet MODOT's drawing specification.
- Price must include delivery to MODOT facility as listed above.

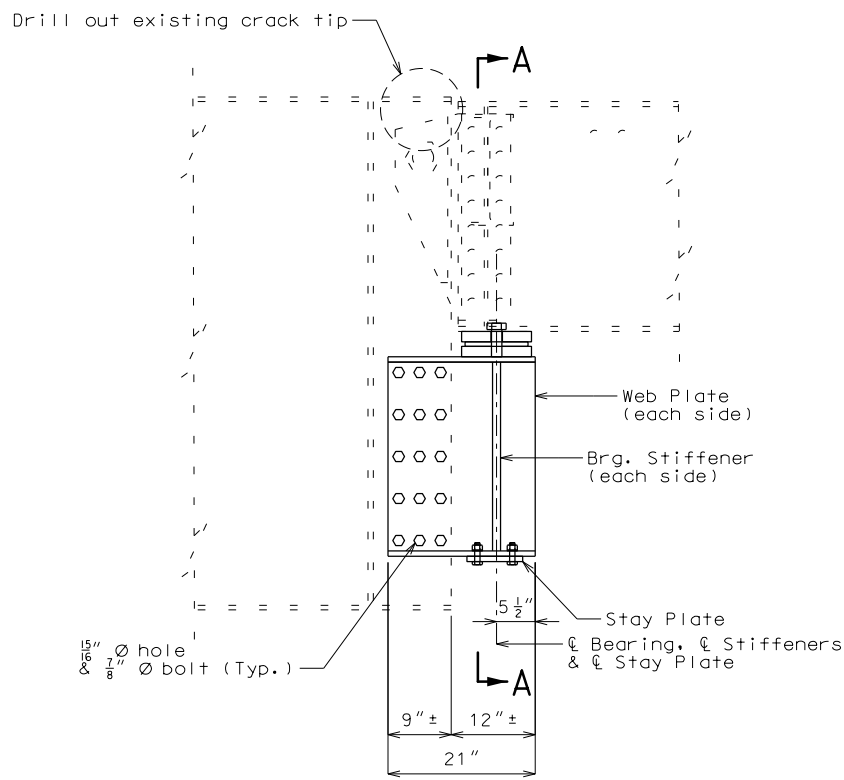
Awarded vendor MUST:

- 1) *be in compliance with House Bill 600, Section 34.040.6 RSMo, which states MoDOT is precluded from contracting with a vendor or its affiliate who makes sales at retail of tangible personal property or for the purpose of storage, use or consumption in this state but fails to collect and properly pay the tax as provided in RSMo 144, their number is (573) 751-9268.*
and
- 2) *be in good standing with the Secretary of State's office prior to issuance of 'Notice to Proceed.'*
Their phone number is (573) 751-4936.
- 3) Awarded Vendor may be required to fill out a Vendor Registration Form if vendor has not conducted business with the State of Missouri within the last six months, in order to allow the Missouri Department of Transportation to pay invoice.
- 4) Vendors' price should also allow for payment via Purchasing Card at the bid price if vendor is capable of processing credit cards.
- 5) Bidders are encouraged to obtain minority business enterprise (MBE) and women business enterprise (WBE) participation in this work through the use of subcontractors, suppliers, joint ventures, or other arrangements that afford meaningful participation for M/WBEs. Bidders are encouraged to obtain 10% MBE and 5% WBE participation.

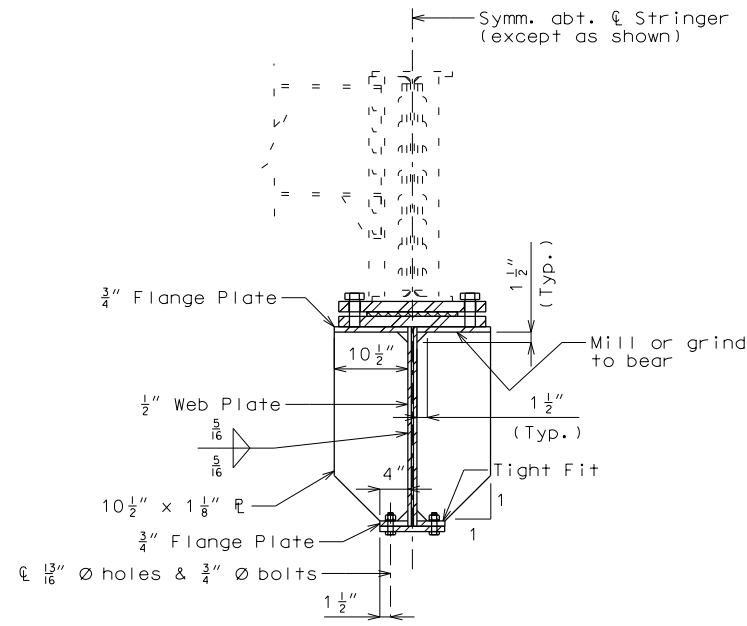
VENDOR INFORMATION

Vendor Name/Mailing Address:	Vendor Contact Information (including area codes): Phone #: Fax #: Cellular #: Email:
Printed Name and Title of Responsible Officer or Employee:	Signature:

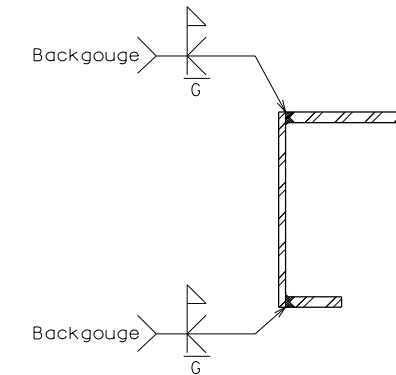
All responses to this Request for Quotation MUST be submitted on this form and all pages MUST be returned to the Buyer listed above via fax or at the District mailing address shown.



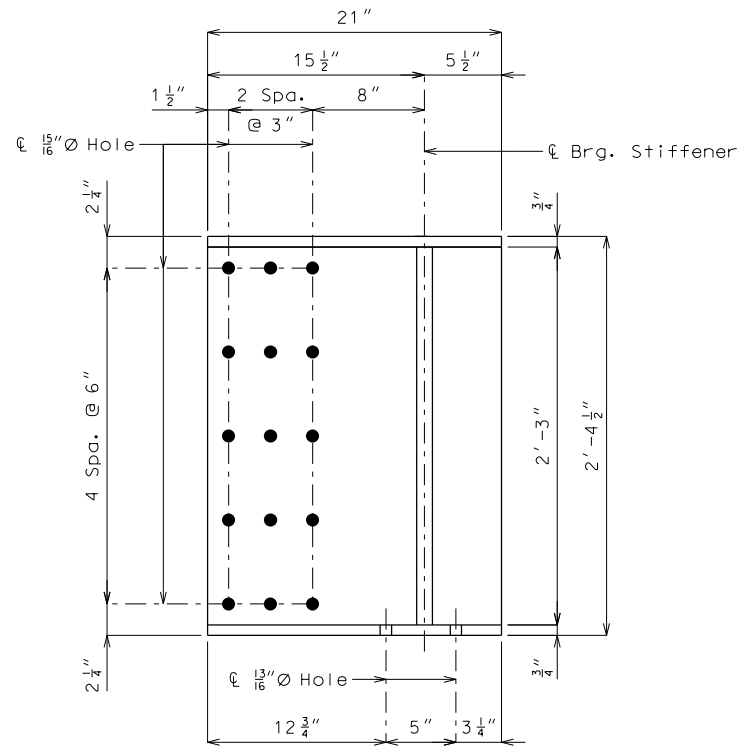
PART ELEVATION SHOWING MODIFICATION



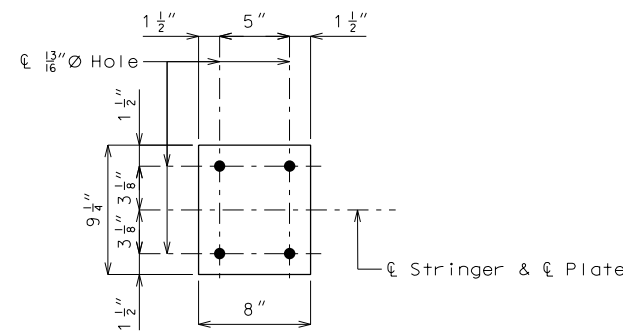
SECTION A-A



TYPICAL WELDING DETAILS



DETAILS OF 1/2" THICK WEB PLATE



DETAILS OF 3/4" THICK STAY PLATE

Notes:
Outline of old work is indicated by light dashed lines. Heavy lines indicate new work.

Verify all dimensions in field before ordering new material.

Fabricated structural steel shall be ASTM A709 Grade 50.

Field connections shall be made with 7/8" diameter high strength bolts and 15/16" diameter holes, except as noted. 7/8" diameter high strength bolts may be substituted for 3/4" diameter high strength bolts for stay plate connection.

All flange plates and web plates shall be subject to notch toughness requirements.

New construction shall be installed parallel to grade.

Contact surfaces shall be in accordance with Sec 1081 for surface preparation.

All exposed surfaces at repair areas shall be coated in accordance with current practices.

High strength bolt installation shall be in accordance with Sec 712.

For Details of Laminated Neoprene Bearing Pad Assembly, see Sheet No. 2.

DETAILS OF PROPOSED HINGE MODIFICATION NEAR BENT NO. 8

(Girder No. 4 East Bound Bridge & Girder No. 1 West Bound Bridge)

Note: This drawing is not to scale. Follow dimensions.

Sheet No. 1 of 3

"THIS MEDIA SHOULD NOT BE CONSIDERED A CERTIFIED DOCUMENT."

DATE PREPARED
6/7/2012

ROUTE 70 STATE MO

DISTRICT BR SHEET NO. 1

COUNTY COOPER

JOB NO. -

CONTRACT ID. -

PROJECT NO. -

BRIDGE NO. A0201

DESCRIPTION

DATE

MISSOURI HIGHWAYS AND TRANSPORTATION COMMISSION

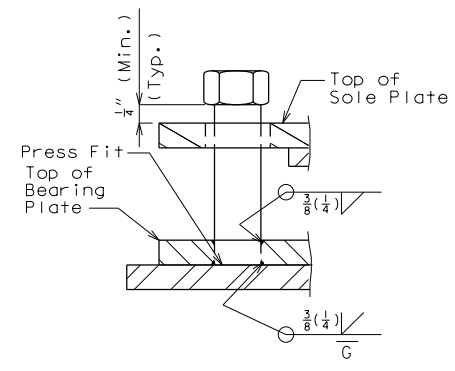


105 WEST CAPITOL JEFFERSON CITY, MO 65102 1-888-ASK-MODOT (1-888-275-6636)

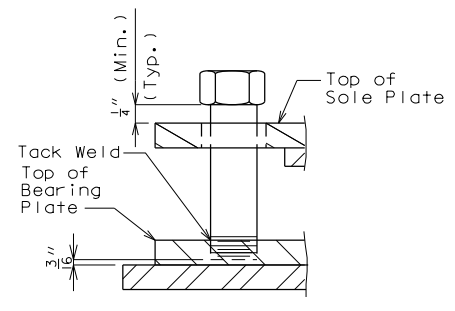
IF A SEAL IS PRESENT ON THIS SHEET IT HAS BEEN ELECTRONICALLY SEALED AND DATED.

"THIS MEDIA SHOULD NOT BE CONSIDERED A CERTIFIED DOCUMENT."

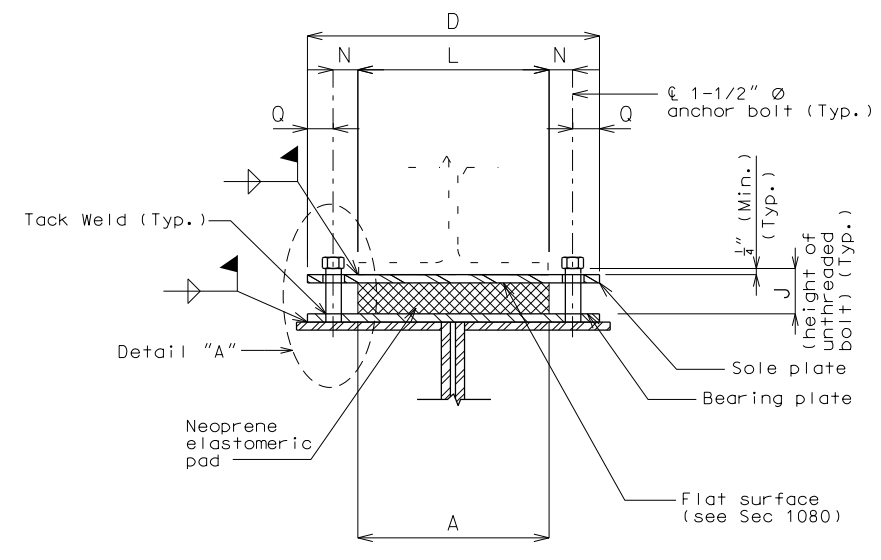
DATE PREPARED
6/4/2012
ROUTE 70 STATE MO
DISTRICT BR SHEET NO. 2
COUNTY COOPER
JOB NO. -
CONTRACT ID. -
PROJECT NO. -
BRIDGE NO. A0201



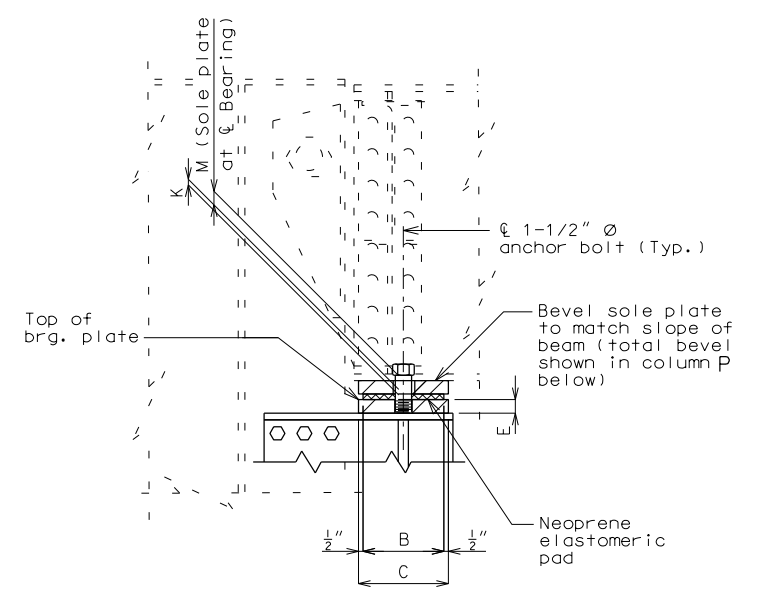
DETAIL "A"



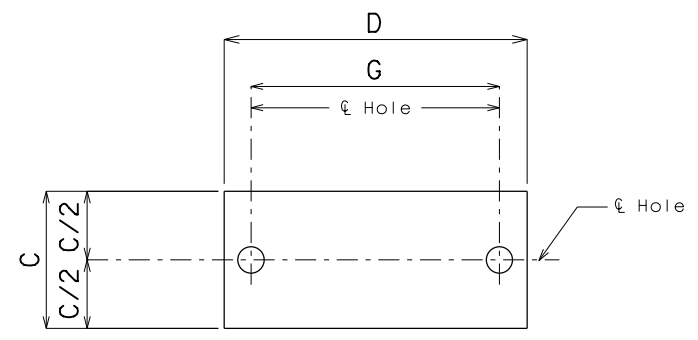
OPTIONAL DETAIL "A"



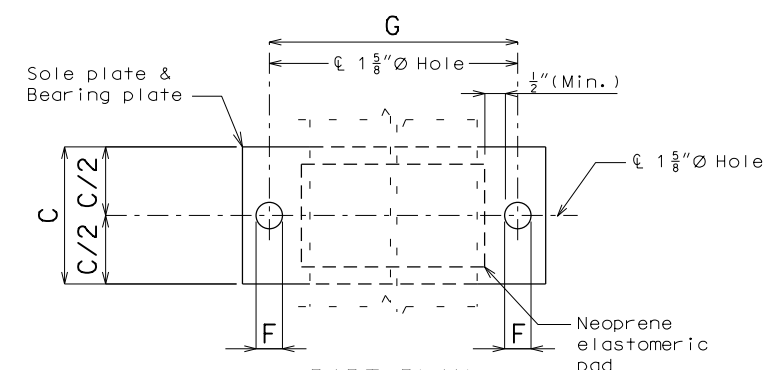
END VIEW



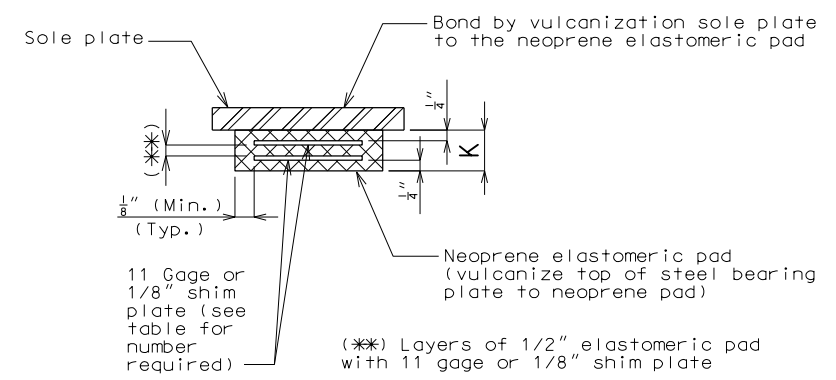
SIDE VIEW



DETAIL OF BEARING PLATE



PART PLAN



NEOPRENE ELASTOMERIC PAD

FIXED BEARINGS																NUMBER OF SHIM PLATES(*)	NUMBER REQUIRED
HINGE NEAR BENT NO.	GDR. NO.	A	B	C	D	E	F	G	J	K	L	M	N	P	Q		
8	1 & 2	13"	9"	10"	21"	1 1/2"	1 5/8"	16 1/2"	2 3/8"	5 5/8"	11 1/2"	1 1/2"	2 1/2"	0"	2 1/4"	1	2
																TOTAL BEARINGS	2

(*) The required shim plate shall be placed between layers of elastomer and molded together to form an integral unit.

GENERAL NOTES:

- Anchor bolts shall be 1 1/2" Ø ASTM A325 steel bolts. Actual manufacturer's certified mill test reports (chemical and mechanical) shall be provided.
- All structural steel for the anchor bolts shall be coated with a minimum of two coats of inorganic zinc primer (5 mils minimum).
- Neoprene Elastomeric Pads shall be 60 Durometer.
- Structural steel for sole plate shall be ASTM A709 Grade 50 and shall be coated with a minimum of two coats of inorganic zinc primer (5 mils minimum).
- Laminated Neoprene Bearing Pad Assembly shall be in accordance with Sec 716.
- The Bearing Plate shall be either tapped to receive anchor bolts or anchor bolts shall be press fit and welded to Bearing Plate.

DETAILS OF LAMINATED NEOPRENE BEARING PAD ASSEMBLY

DESCRIPTION

DATE

MISSOURI HIGHWAYS AND TRANSPORTATION COMMISSION



105 WEST CAPITOL
JEFFERSON CITY, MO 65102
1-888-ASK-MODOT (1-888-275-6636)

IF A SEAL IS PRESENT ON THIS SHEET IT HAS BEEN ELECTRONICALLY SEALED AND DATED.

VENDOR INFORMATION & PREFERENCE CERTIFICATION FORM

Vendor Information

All bidders must furnish ALL applicable information requested below

Vendor Name/Mailing Address: Email Address:	Vendor Contact Information (including area codes): Phone #: Cellular #: Fax #:
Printed Name of Responsible Officer or Employee:	Signature:
For Corporations - State in which incorporated:	For Others - State of domicile:

If the address listed in the Vendor Name/Mailing Address block above is not located in the State of Missouri, list the address of Missouri offices or places of business:

*If additional space is required, please attach an additional sheet and identify it as **Addresses of Missouri Offices or Places of Business.***

M/WBE INFORMATION: List all certified Minority or Women Business Enterprises (**M/WBE**) utilized in the fulfillment of this bid. Include percentages for subcontractors and identify the M/WBE certifying agency:

<u>M/WBE Name</u>	<u>Percentage of Contract</u>	<u>M/WBE Certifying Agency</u>

*If additional space is required, please attach an additional sheet and identify it as **M/WBE Information***

Preference Certification

All bidders must furnish ALL applicable information requested below

GOODS/PRODUCTS MANUFACTURED OR PRODUCED IN USA: If any or all of the goods or products offered in the attached bid which the bidder proposes to supply to the MHTC are **not** manufactured or produced in the "United States", or imported in accordance with a qualifying treaty, law, agreement, or regulation, list below, by item or item number, the country other than the United States where each good or product is manufactured or produced.

Item (or item number)	Location Where Item is Manufactured or Produced

*If additional space is required, please attach an additional sheet and identify it as **Location Products are Manufactured or Produced.***

MISSOURI SERVICE-DISABLED VETERAN BUSINESS: Please complete the following if applicable. Additional information may be requested if preference is applicable. See below definitions for qualification criteria:

Service-Disabled Veteran is defined as any individual who is disabled as certified by the appropriate federal agency responsible for the administration of veterans' affairs.

Service-Disabled Veteran Business is defined as a business concern:

- a. Not less than fifty-one (51) percent of which is owned by one or more service-disabled veterans or, in the case of any publicly owned business, not less than fifty-one (51) percent of the stock of which is owned by one or more service-disabled veterans; and
- b. The management and daily business operations of which are controlled by one or more service-disabled veterans.

Veteran Information

Business Information

Service-Disabled Veteran's Name (Please Print)

Service-Disabled Veteran Business Name

Service-Disabled Veteran's Signature

Missouri Address of Service Disabled Veteran Business

Missouri Highways and Transportation Commission
Standard Bid/Proposal Provisions, General Terms and Conditions and Special Terms and Conditions

STANDARD SOLICITATION PROVISIONS

- a. The solicitation for the procurement of the supplies referenced therein, to which these "Standard Bid Provisions, General Terms and Conditions and Special Terms and Conditions" are attached, is being issued under, and governed by, the provisions of Title 7 – Missouri Department of Transportation, Division 10 – Missouri Highways and Transportation Commission, Chapter 11 – Procurement of Supplies, of the Code of State Regulations. The Missouri Highways and Transportation Commission (**MHTC**), acting by and through its operating arm, the Missouri Department of Transportation (**MoDOT**), draws the Bidder's attention to said 7 CSR 10-11 for all the provisions governing solicitation and receipt of bids/quotes and the award of the contract pursuant to this solicitation.
- b. All bids/quotes must be signed with the firm name and by a responsible officer or employee. Obligations assumed by such signature must be fulfilled.

GENERAL TERMS AND CONDITIONS

Definitions

Capitalized terms as well as other terms used but not defined herein shall have the meaning assigned to them in section 7 CSR 10-11.010 Definition of Terms.

Nondiscrimination

- a. The Contractor shall comply with all state and federal statutes applicable to the Contractor relating to nondiscrimination, including, but not limited to, Chapter 213, RSMo; Title VI and Title VII of Civil Rights Act of 1964 as amended (42 U.S.C. Sections 2000d and 2000e, *et seq.*); and with any provision of the "Americans with Disabilities Act" (42 U.S.C. Section 12101, *et seq.*)
- b. **Sanctions for Noncompliance:** In the event of the Contractor's noncompliance with the nondiscrimination provisions of this contract, MHTC shall impose such contract sanctions as it or the Federal Highway Administration may determine to be appropriate, including, but not limited to:
 - i. withholding of payments to the Contractor under the contract until the Contractor complies, and/or,
 - ii. cancellation, termination or suspension of the contract, in whole or in part.

Contract/Purchase Order

- a. By submitting a bid/quote, the Bidder agrees to furnish any and all equipment, supplies and/or services specified in the solicitation documents, at the prices quoted, pursuant to all requirements and specifications contained therein.
- b. A binding contract shall consist of: (1) the solicitation documents, amendments thereto, and/or Best and Final Offer (BAFO) request(s) with any changes/additions, (2) the Contractor's bid response, and (3) the MHTC's acceptance of the bid by post-award contract or purchase order.
- c. A notice of award does not constitute an authorization for shipment of equipment or supplies or a directive to proceed with services. Before providing equipment, supplies and/or services, the Contractor must receive a properly authorized notice to proceed and/or purchase order.

Applicable Laws and Regulations

- a. The contract shall be construed according to the laws of the State of Missouri. The Contractor shall comply with all local, state, and federal laws and regulations related to the performance of the contract. The exclusive venue for any legal proceeding relating to or arising, out of the contract shall be in the Circuit Court of Cole County, Missouri.
- b. The Contractor must be registered and maintain good standing with the Secretary of State of the State of Missouri, Missouri Department of Revenue, and other regulatory agencies, as may be required by law or regulations. Prior to the issuance of a purchase order and/or notice to proceed, the Contractor may be required to submit to MHTC a copy of their current Authority Certificate from the Secretary of State of the State of Missouri and/or a copy of their Certificate of No Tax Due from the Missouri Department of Revenue.
- c. Prior to the issuance of a purchase order and/or notice to proceed, all **out-of-state** Contractors **providing services** within the state of Missouri must submit to MHTC a copy of their current Transient Employer Certificate from the Missouri Department of Revenue, in addition to a copy of their current Authority Certificate from the Secretary of State of the State of Missouri.

Executive Order:

The Contractor shall comply with all the provisions of Executive Order 07-13, issued by the Honorable Matt Blunt, Governor of Missouri, on the sixth (6th) day of March, 2007. This Executive Order, which promulgates the State of Missouri's position to not tolerate persons who contract with the state engaging in or supporting illegal activities of employing individuals who are not eligible to work in the United States, is incorporated herein by reference and made a part of this Agreement.

- 1) "By signing this Agreement, the Contractor hereby certifies that any employee of the Contractor assigned to perform services under the contract is eligible and authorized to work in the United States in compliance with federal law."
- 2) In the event the Contractor fails to comply with the provisions of the Executive Order 07-13, or in the event the Commission has reasonable cause to believe that the contractor has knowingly employed individuals who are not eligible to work in the United States in violation of federal law, the Commission reserves the right to impose such contract sanctions as it may determine to be appropriate, including but not limited to contract cancellation, termination or suspension in whole or in part or both.
- 3) The Contractor shall include the provisions of this paragraph in every subcontract. The Contractor shall take such action with respect to any subcontract as the Commission may direct as a means of enforcing such provisions, including sanctions for noncompliance.

Preferences

- a. In the evaluation of bids/quotes, preferences shall be applied in accordance with 7 CSR 10-11.020(7). Contractors should apply the same preferences in selecting subcontractors. The attached document entitled "**VENDOR INFORMATION AND PREFERENCE CERTIFICATION FORM**" must be completed and returned with the solicitation documents.
- b. Bidders are encouraged to obtain minority business enterprise (MBE) and women business enterprise (WBE) participation in this work through the use of subcontractors, suppliers, joint ventures, or other arrangements that afford meaningful participation for M/WBES. Bidders are encouraged to obtain 10% MBE and 5% WBE participation.

Missouri Highways and Transportation Commission
Standard Bid/Proposal Provisions, General Terms and Conditions and Special Terms and Conditions

Cancellation of Contract

The MHTC may cancel the Contract at any time for a material breach of contractual obligations or for convenience by providing Contractor with written notice of cancellation. Should the MHTC exercise its right to cancel the contract for such reasons, cancellation will become effective upon the date specified in the notice of cancellation sent to the Contractor.

Bankruptcy or Insolvency

Upon filing for any bankruptcy or insolvency proceeding by or against the Contractor, whether voluntarily, or upon the appointment of a receiver, trustee, or assignee, for the benefit of creditors, the Commission reserves the right and sole discretion to either cancel the Agreement or affirm the Agreement and hold the Contractor responsible for damages.

Warranty

The Contractor expressly warrants that all equipment, supplies, and/or services provided shall: (1) conform to each and every specification, drawing, sample or other description which was furnished to or adopted by the MHTC, (2) be fit and sufficient for the purpose expressed in the solicitation documents, (3) be merchantable, (4) be of good materials and workmanship, and (5) be free from defect.

Status of Independent Contractor

The Contractor represents itself to be an independent Contractor offering such services to the general public and shall not represent itself or its employees to be an employee of the MHTC. Therefore, the Contractor shall assume all legal and financial responsibility for taxes, FICA, employee fringe benefits, workers' compensation, employee insurance, minimum wage requirements, overtime, etc., and agrees to indemnify, save and hold the MHTC, its officers, agents and employees harmless from and against any and all losses (including attorney fees) and damage of any kind related to such matters.

Non-Waiver

If one of the parties agrees to waive its right to enforce any term of this Contract, that party does not waive its right to enforce such term at any other time or to enforce any or all other terms of this Contract.

Indemnification

The Contractor shall defend, indemnify and hold harmless MHTC, including its members and department employees, from any claim or liability whether based on a claim for damages to real or personal property or to a person for any matter relating to or arising out of the Contractor's performance of its obligations under the contract awarded pursuant to this solicitation.

SPECIAL TERMS AND CONDITIONS

Tax Exempt Status:

MHTC is exempt from paying Missouri Sales Tax, Missouri Use Tax and Federal Excise Tax. However, the Contractor may themselves be responsible for the payment of taxes on materials they purchase to fulfill the contract. A Project Tax Exemption Certificate will be furnished to the successful Bidder upon request if applicable.

Insurance

The Contractor shall maintain or cause to be maintained at Contractor's own expense commercial general liability, automobile liability, worker's compensation insurance against negligent acts, errors or omissions of the Contractor, or its subcontractors and anyone directly or indirectly employed by any of them. Any insurance policy required as specified in this Section shall be written by a company that is licensed and authorized to issue such insurance in the state of Missouri and shall provide insurance coverage for not less than the following limits of liability:

- 1) General Liability: Not less than \$500,000 for any one person in a single accident or occurrence, and not less than \$3,000,000 for all claims arising out of a single occurrence;
- 2) Automobile Liability: Not less than \$500,000 for any one person in a single accident or occurrence, and not less than \$3,000,000 for all claims arising out of a single occurrence;
- 3) Missouri State Workmen's Compensation policy or equivalent in accordance with state law.

Upon request from the Commission, the Contractor shall provide the Commission with certificates of insurance evidencing the required coverage and that such insurance is in effect.

Subcontracting

- a. It is specifically understood that no portion of the material or any interest in the contract, shall be subcontracted, transferred, assigned or otherwise disposed of, except with the written consent of MHTC. Request for permission to subcontract or otherwise dispose of any part of the work shall be in writing to MHTC and accompanied by documentation showing that the organization which will perform the work is particularly experienced and equipped for such work.
- b. Consent to subcontract or otherwise dispose of any portion of the work shall not be construed to relieve the Contractor of any responsibility for the production and delivery of the contracted work and the completion of the work within the specified time.
- c. All payments for work performed by a subcontractor shall be made to the Contractor to whom the contract was awarded and the purchase order issued.

Permits, Licenses and Safety Issues

The contract price shall include any necessary permits and licenses required by law incidental to the work. Local ordinances requiring building permits are not applicable to state agencies.

Missouri Highways and Transportation Commission
Standard Bid/Proposal Provisions, General Terms and Conditions and Special Terms and Conditions

Delivery – Additional Requirements

- b. The following days shall be construed as **official holidays** under the terms of the contract:

January 1	New Year's Day
Third Monday in January	Martin Luther King, Jr.'s Birthday
February 12	Lincoln's Birthday
Third Monday in February	Washington's Birthday
May 8	Truman's Birthday
Last Monday in May	Memorial Day
July 4	Independence Day
First Monday in September	Labor Day
Second Monday in October	Columbus Day
November 11	Veteran's Day
Fourth Thursday in November	Thanksgiving Day
December 25	Christmas Day

- c. When any of the above **holidays falls** on a **Sunday**, the holiday will be observed on the following **Monday**; when any of the above **holidays falls** on a **Saturday**, the **holiday** will be observed on the immediately preceding **Friday**.

Temporary Suspension of Work

- a. The **District Engineer** shall have authority to suspend work wholly or in part for such period or periods as may be deemed necessary when weather or other conditions are such that in the opinion of the engineer, the work may be done at a later time with advantage to MoDOT or for failure on the part of the Contractor to comply with any of the provisions of the Contract.
- b. If MoDOT suspends the work for its own advantages and not because of the Contractor's failure to comply with the Contract, the Contractor will be allowed an equal number of calendar days after the completion date for the completion of the work. MoDOT may at its discretion give the Contractor an extension of time for completing the work where the Contractor incurs delays for causes beyond his control.
- c. Normal rainfall is not considered a cause qualifying for an extension of time. Claim for extension of time for all causes must be submitted by the Contractor in writing within **30 Days** after the claimed cause for the delay has ceased to exist.

Liquidated Damages

- a. In the event the successful Contractor fails to deliver the material within the time specified, the Department and the public will sustain damages because of such delay in delivery, the exact extent of which would be difficult to ascertain, and in order to liquidate such damage in advance it is agreed that the **\$250.00 per day, per item**, for each assessable calendar day on which the delivery has not been completed, is reasonable and the best estimate which the parties can arrive at as liquidated damages, and it is therefore agreed that said amount will be withheld from payments due the Contractor or otherwise collected from the Contractor as liquidated damages.
- b. **Saturdays, Sundays, holidays and days whereas the Department has suspended work** shall not be assessable days.