

ADDENDUM # 1

Warren County Bridge Replacement
Bridge #0570020 2
12/3/2021

Please note that the Required Completion Date of December 15, 2021 noted in Section (3) of the bidding documents should read '**Required Completion Date: December 15, 2022**'.

Please utilize the attached Bidding Form for bidding purposes. Also, replace Sheet 11 of 18 with the attached details. Note the addition of 16-inch Permanent Casing to contain the sand backfill of pre-boring. Also note the change in quantity of HP 10 x 42, HP 12 x 53 and Pre-bore for piling (to account for inconsistencies in bedrock encountered).

Please acknowledge receipt of Addendum #1 on the bid form

BIDDING FORM

Warren County Bridge #0570020 1

Item No.	Description	Unit	Quantity	Unit Price	Amount
201-99.01	Clearing and Grubbing	L.S.	1	_____	_____
203-50.00	Unclassified Excavation	C.Y.	320	_____	_____
203-60.00	Compacting Embankment	C.Y.	290	_____	_____
206-10.00	Class 1 Excavation (for Structure)	C.Y.	315	_____	_____
206-10.03	Class 1 Excavation In Rock	C.Y.	60	_____	_____
216-05.00	Removal of Structure	L.S.	1	_____	_____
304-05.04	Type 5 Aggregate For Base (4 In. Surface)	S.Y.	670	_____	_____
606-99.02	Bridge Rail End Shoe	EACH	4	_____	_____
611-30.20	Furnishing Type 2 Rock Blanket	C.Y.	175	_____	_____
611-30.40	Placing Type 2 Rock Blanket	C.Y.	175	_____	_____
616-10.05	Construction Signs	S.F.	45	_____	_____
616-10.30	Type III Temporary Barricades	EACH	2	_____	_____
618-10.00	Mobilization	L.S.	1	_____	_____
624-1.04A	Separation Geotextile Fabric	S.Y.	190	_____	_____
627-40.00	Contractor Furnished Surveying & Staking	L.S.	1	_____	_____
702-10.10	Structural Steel Piles (HP 10x42)	L.F.	130	_____	_____
702-10.12	Structural Steel Piles (HP 12x53)	L.F.	150	_____	_____
702-60.00	Pre-bore for Piling	L.F.	150	_____	_____
702-99.03	Pre-bore for Piling (in Rock)	L.F.	78	_____	_____
702-99.03	16" Diam. Permanent Casing	L.F.	150	_____	_____
703-40.01	Class B1 Concrete (4,000 psi)	C.Y.	125	_____	_____
703-42.14	Class B2 Concrete (4,000 psi)	C.Y.	50	_____	_____
705-99.04	Prestressed Concrete Deck Panel	S.F.	990	_____	_____
706-10.60	Reinforcing Steel (Gr. 60)	LBS.	27,948	_____	_____
712-99.02	W24x94 (48'-8 5/16") - Grade 50W	EACH	4	_____	_____
713-40.00	Bridge Guard Rail (Thrie-Beam)	L.F.	175	_____	_____
716-10.00	Plain Neoprene Bearing Pad	EACH	8	_____	_____
805-20.00A	Seeding (Warm Season Mixtures)	ACRE	0.5	_____	_____

Total: _____

(PLEASE PRINT OR TYPE BID AMOUNT)

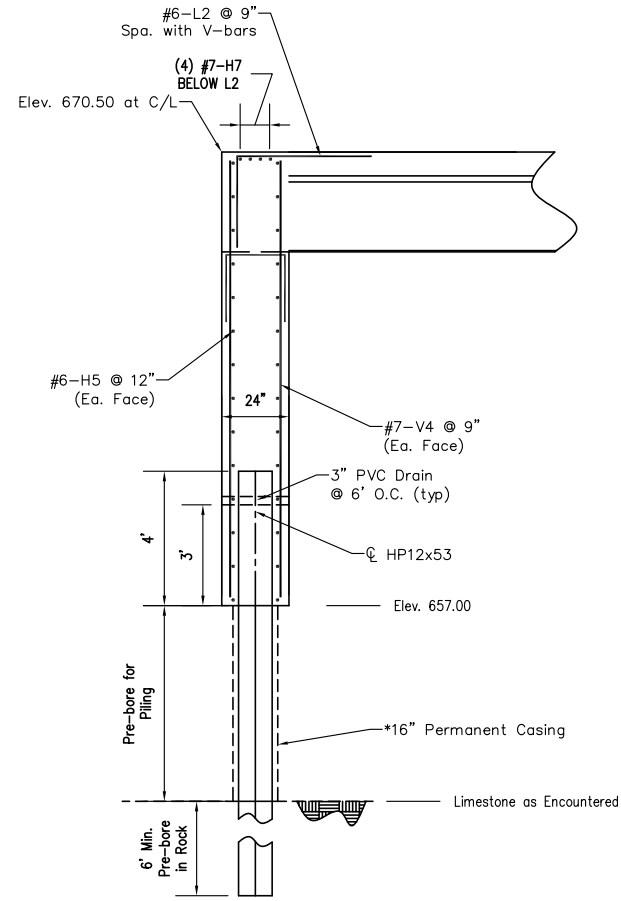
Contractor: _____

Representative: _____
(please print or type name and title along with signature of the individual that completed this bid)

Phone: _____

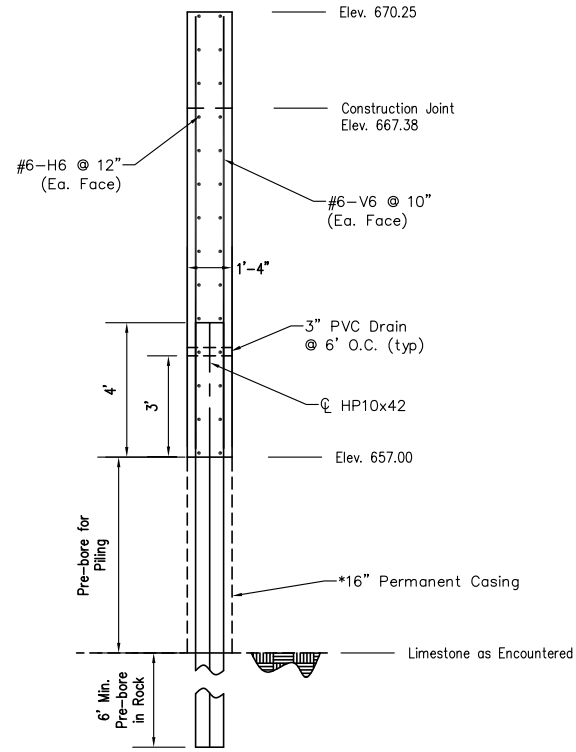
Address: _____

Fax: _____



SECTION A-A
(N.T.S.)

*16" Permanent not required should no void be encountered (as indicated in Boring B-2)..



SECTION B-B
(N.T.S.)

<p>PSBA POEPPING, STONE, BACH & ASSOCIATES, INC. ARCHITECTS ENGINEERS PLANNERS SURVEYORS 100 S 54TH ST. P.O. BOX 709 • QUINCY, IL 62306 • PHONE 217-222-4805 3323 MAIN ST. P.O. BOX 817 • KEOKUK, IA 52652 • PHONE 319-524-8730 U.S. FEDERAL BUILDING, STE 224 • HANNIBAL, MO 63401 • PHONE 573-408-0541 www.psbai.com email: psbai@psbai.com</p>		<p>Designed MBW Drawn MBW Checked MJP</p>	<p>Surveyed TG Field Book Project No. C-20-053</p>	<p>Date 03/2021 Scale NOTED</p>	<p>Rev. Description</p>
<p>BRIDGE #0570020 1 WARREN COUNTY, MISSOURI END BENT NO. 2 DETAILS</p>					
<p>Sheet 11 11 of 18 Sheets File No.</p>					