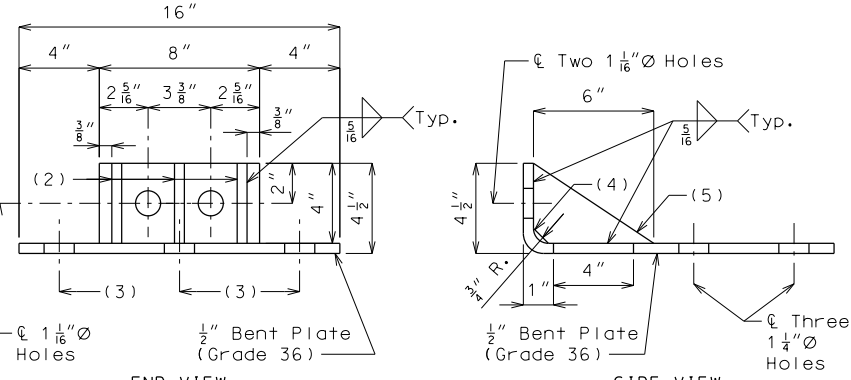


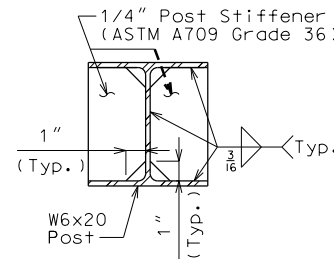
- (1) POST-TO-BENT PLATE CONNECTION
 Two 1"Ø A325 High Strength Bolts with hardened washers and hex nuts
 1 1/16" x 1 1/2" Vertical Slotted Hole in both upper post flanges
 1 1/16"Ø Hole in washer plate, inside lower post flange and both bent plates

SECTION C-C

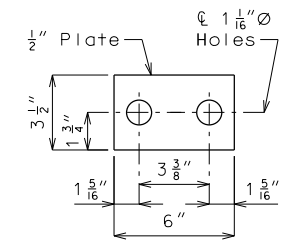


- (2) 1/2" x 6" x 4" Wedge Bracket
 (3) Two 1 1/4"Ø Holes
 (4) 3/4" Coped Corners
 (5) Three 1/2" x 6" x 4" Wedge Brackets

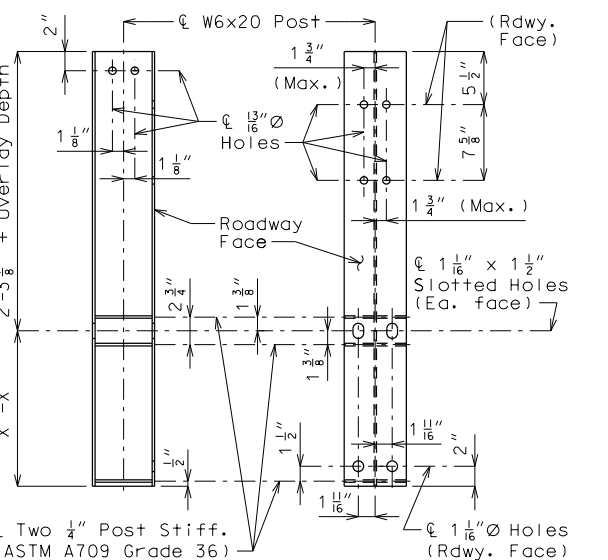
BENT PLATE AND WEDGE BRACKET



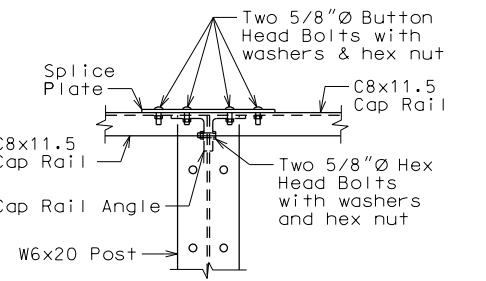
POST STIFFENERS



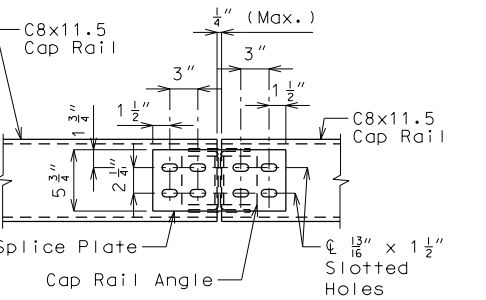
WASHER PLATE



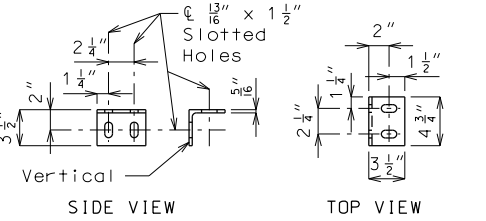
DETAILS OF POST



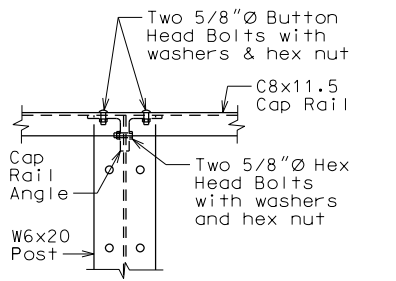
ELEVATION OF TYPICAL SPLICE



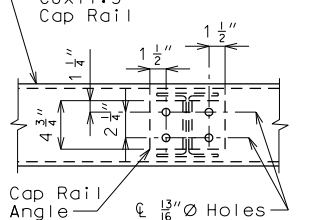
PLAN OF TYPICAL SPLICE



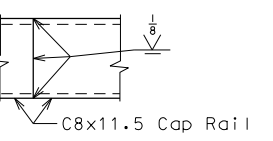
CAP RAIL ANGLE
 L3 1/2 x 3 1/2 x 1/16



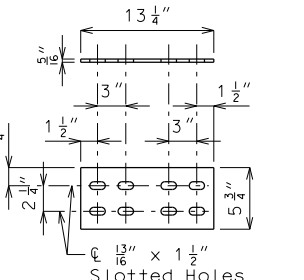
ELEVATION OF RAIL POST CONNECTION



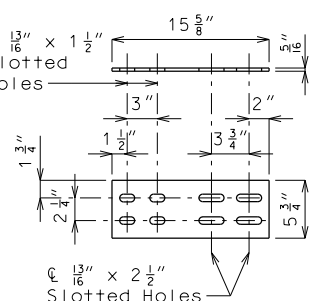
PLAN OF RAIL POST CONNECTION



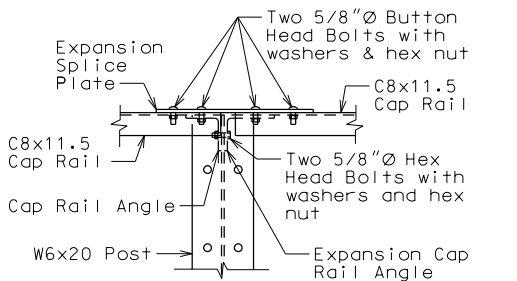
OPTIONAL SPLICE
 One shop or field splice per panel may be provided at any location.



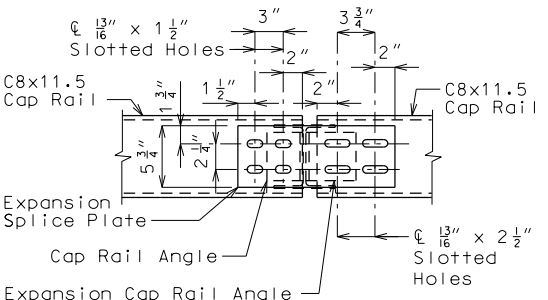
SPLICE PLATE



EXPANSION SPLICE PLATE

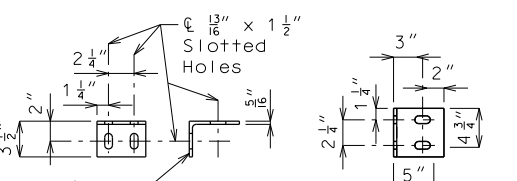


ELEVATION OF EXPANSION SPLICE

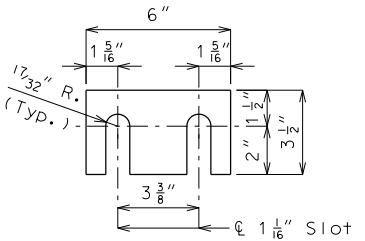


PLAN OF EXPANSION SPLICE

Expansion slots shall be on the same side of post as the expansion joint.



EXPANSION CAP RAIL ANGLE
 L5 x 3 1/2 x 1/16



SHIM PLATE

Shim plates 6 x 3 x 1/16-inch may be used between the W6x20 post and 1/2-inch bent plate connection as required for horizontal alignment.

Shim plates may vary in thickness from 1/16 inch to the thickness required, and may be used in multiples.

Shim plates shall be galvanized after fabrication.

"THIS MEDIA SHOULD NOT BE CONSIDERED A CERTIFIED DOCUMENT."

DATE PREPARED 4/16/2018	
ROUTE *	STATE MO
DISTRICT BR	SHEET NO. *
COUNTY *	
JOB NO. *	
CONTRACT ID.	
PROJECT NO.	
BRIDGE NO. THRIE 3B	
DESCRIPTION	DATE

MISSOURI HIGHWAYS AND TRANSPORTATION COMMISSION
 105 WEST CAPITOL
 JEFFERSON CITY, MO 65102
 1-888-ASK-MODOT (1-888-275-6636)

