

"THIS MEDIA SHOULD NOT BE CONSIDERED A CERTIFIED DOCUMENT."

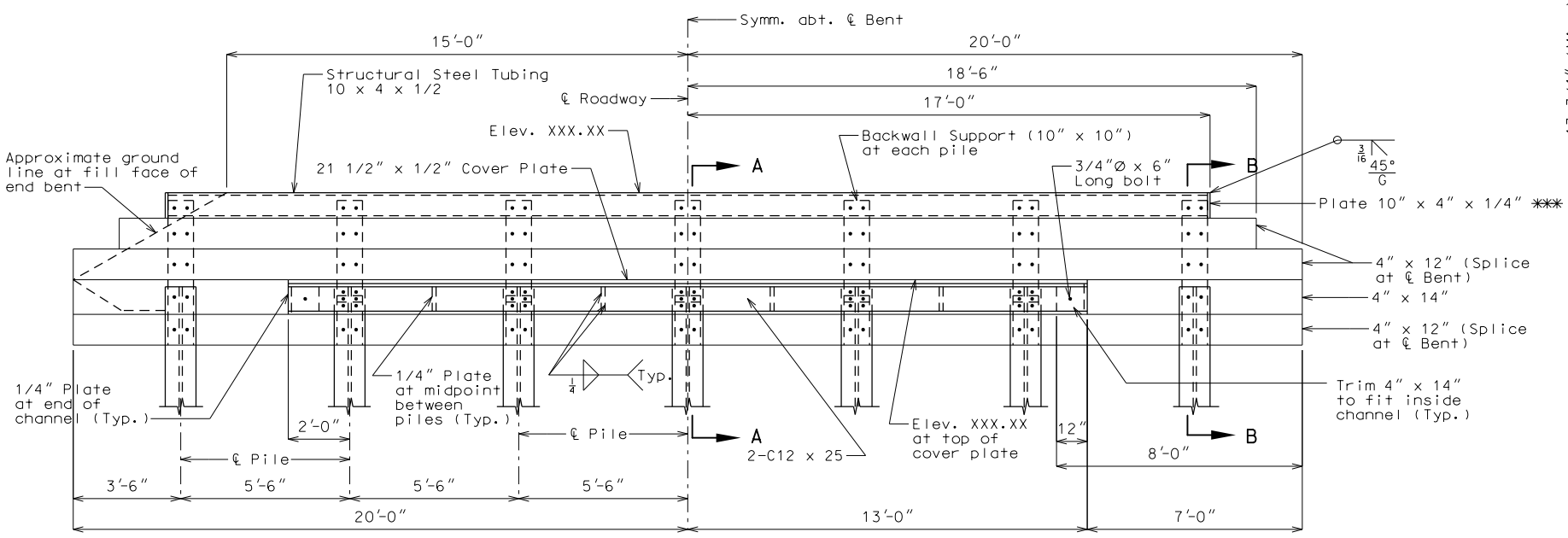
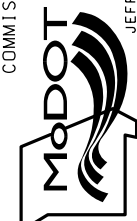
DATE PREPARED
4/16/2018
ROUTE STATE
* MO
DISTRICT SHEET NO.
BR *
COUNTY *
JOB NO. *
CONTRACT ID.
PROJECT NO.

BRIDGE NO.
TEMP 2

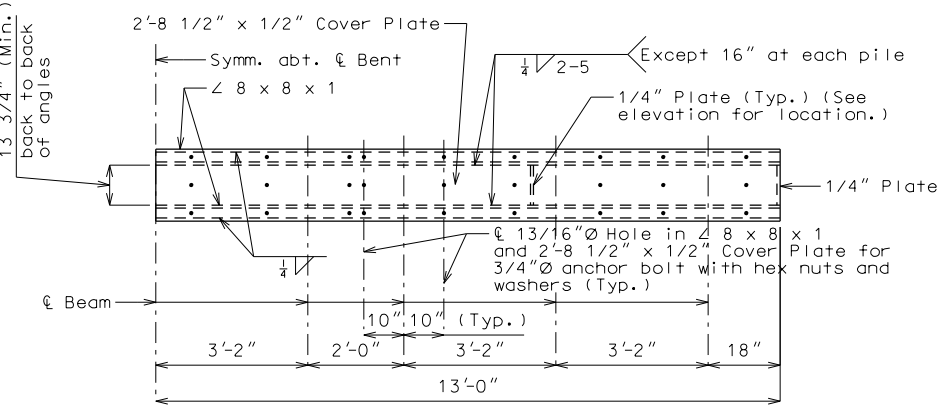
DESCRIPTION	DATE

MISSOURI HIGHWAYS AND TRANSPORTATION COMMISSION

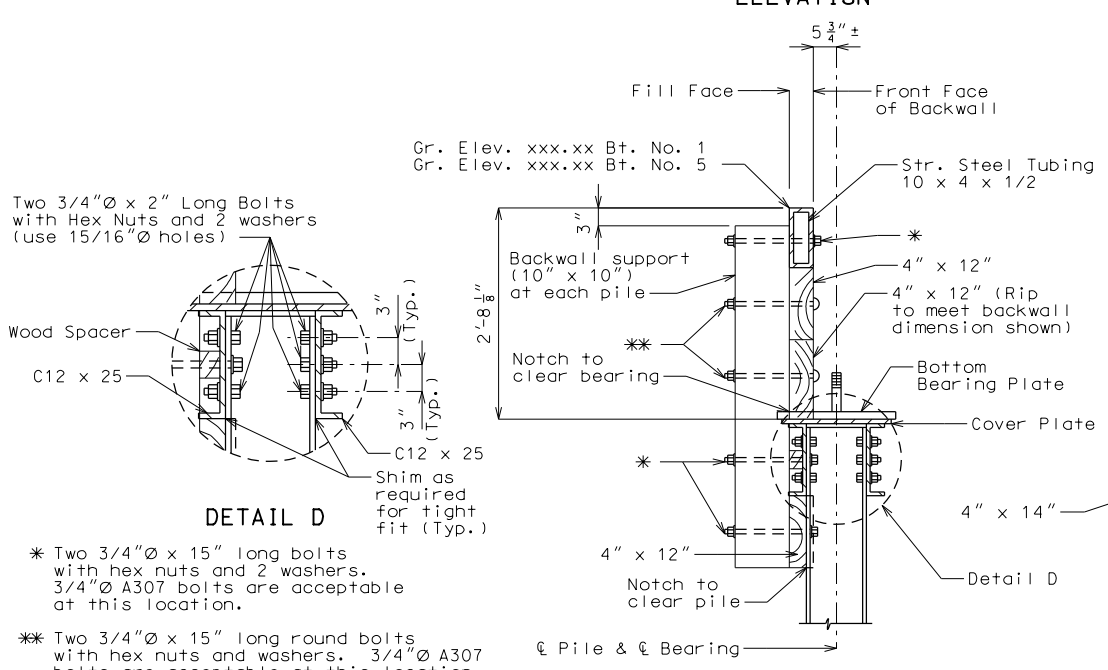
105 WEST CAPITOL
JEFFERSON CITY, MO 65102
1-888-ASK-MDOT (1-888-275-6636)



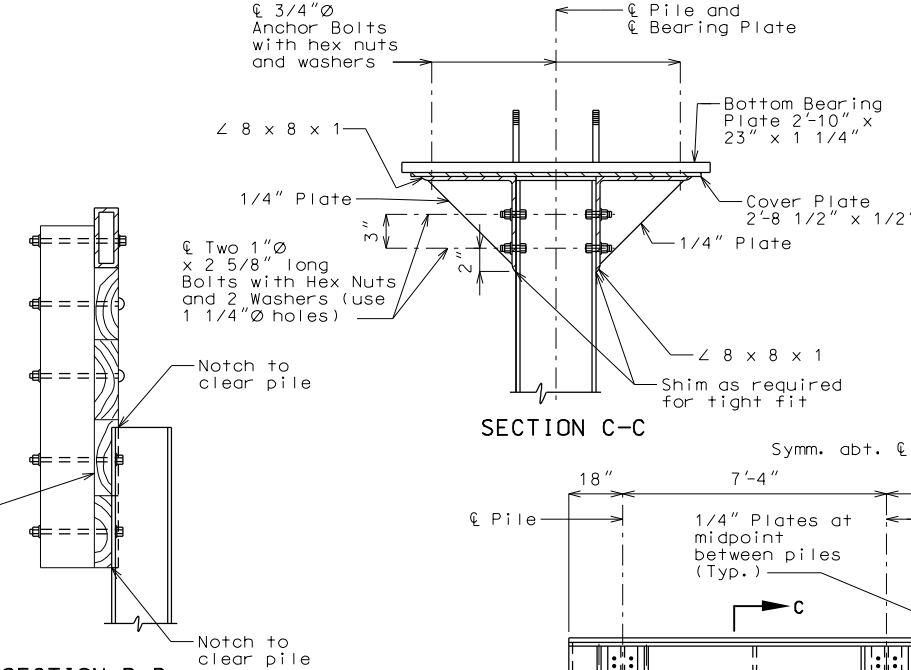
ELEVATION



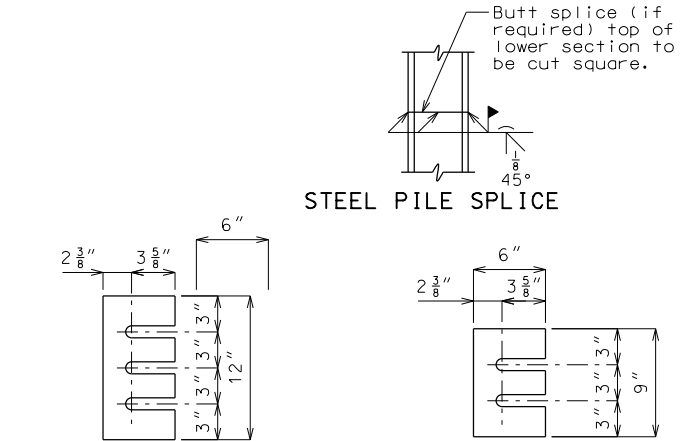
HALF PLAN OF INT. BENT CAP
(Bearing plates and piles not shown)
DETAILS OF INT. BENTS NO. 2, 3, & 4



SECTION A-A



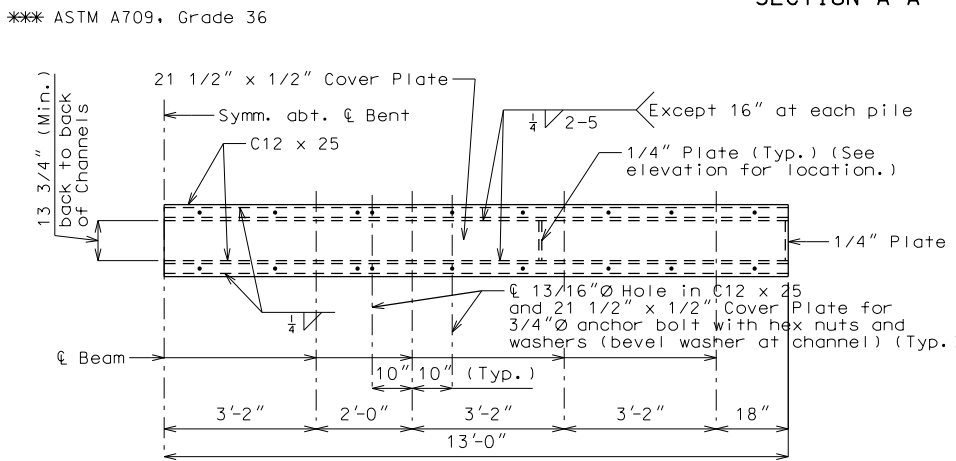
SECTION B-B



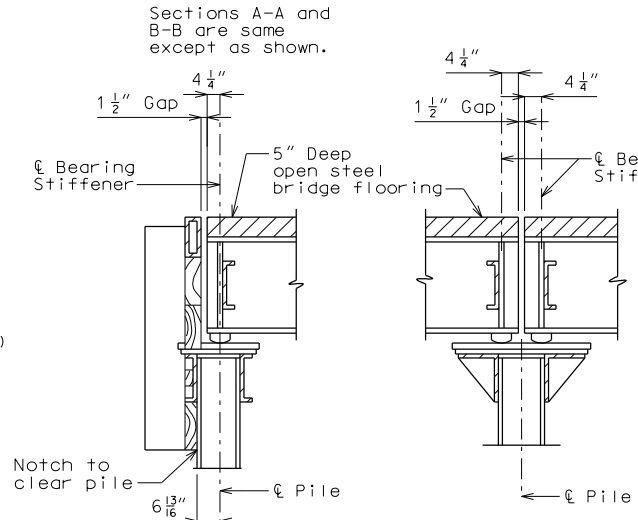
STEEL PILE SPLICE

DETAIL OF SHIM PLATES (END BENTS) DETAIL OF SHIM PLATES (INT. BENTS)

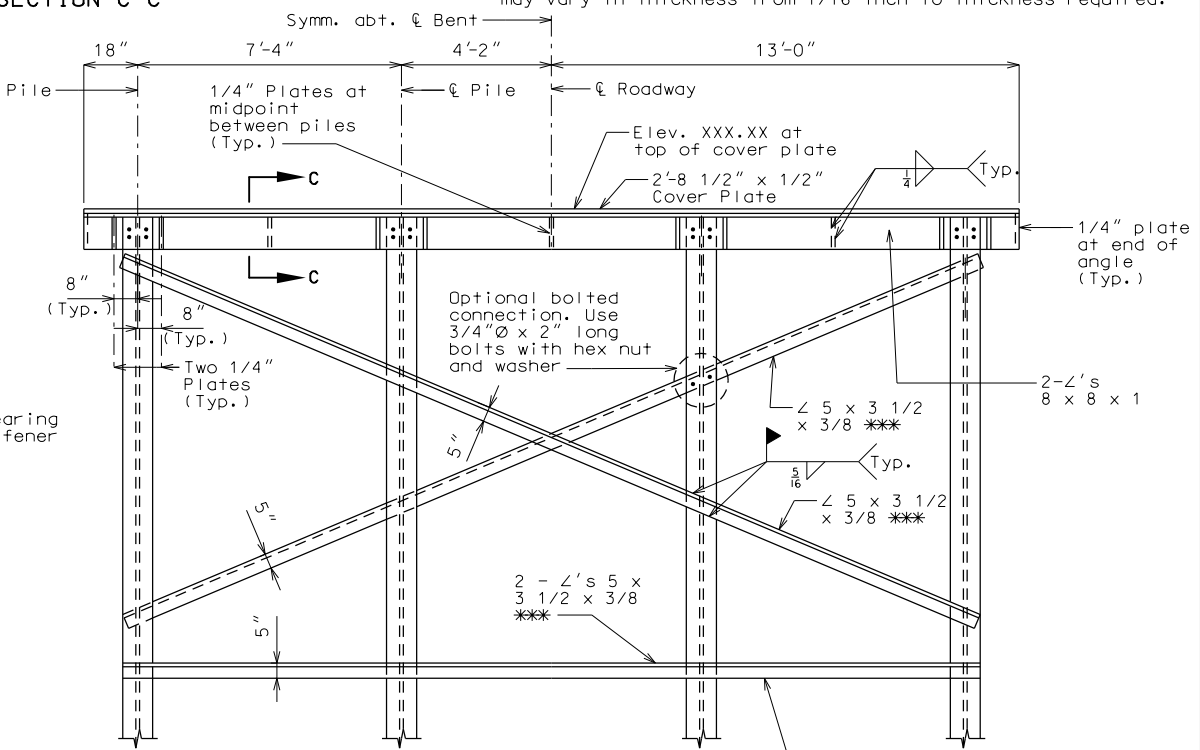
Shim plates may be used between pile and channel at the end bents or angle at the intermediate bents. Shim plates may vary in thickness from 1/16 inch to thickness required.



HALF PLAN OF END BENT CAP
(Bearing plates and piles not shown)
DETAILS OF END BENTS NO. 1 & 5



TYPICAL SECTION NEAR END BENT



ELEVATION