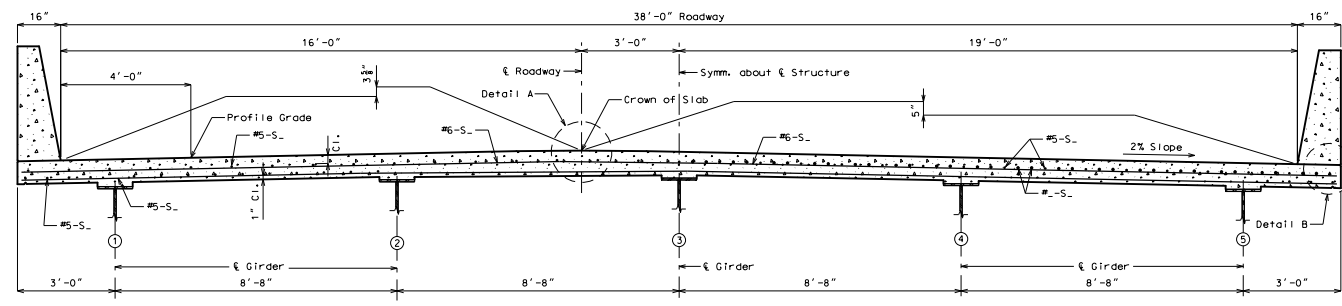


HALF SECTION NEAR MIDSPAN SECTION THRU SLAB HALF SECTION NEAR INTERMEDIATE BENT

* Alternate bar shape available, see barrier sheet.

Plate Girder w/ Panel (5 Girder)



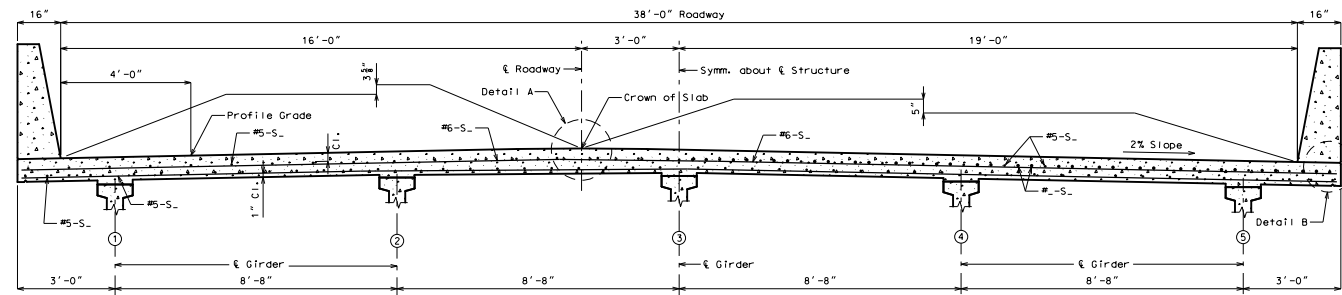
HALF SECTION NEAR MIDSPAN SECTION THRU SLAB HALF SECTION NEAR INTERMEDIATE BENT

Plate Girder C.I.P. (5 Girder)



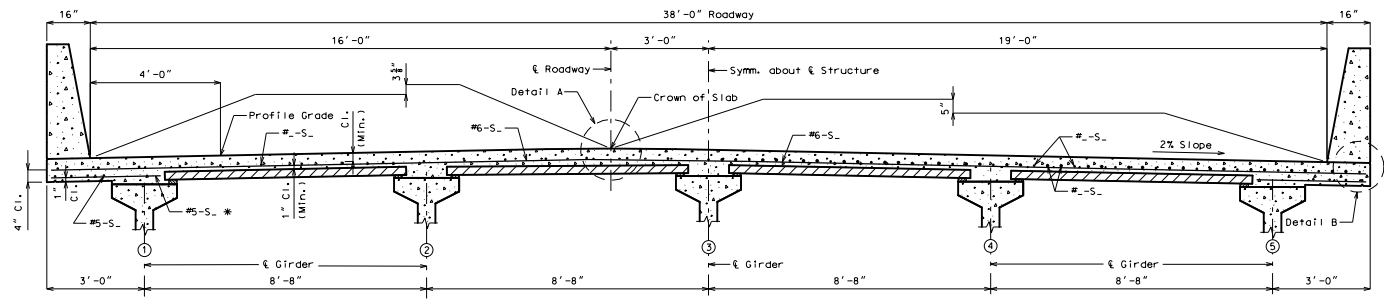
HALF SECTION NEAR MIDSPAN SECTION THRU SLAB HALF SECTION NEAR INTERMEDIATE BENT

Type 2,3,4 w/ Panel (5 Girder)



HALF SECTION NEAR MIDSPAN SECTION THRU SLAB HALF SECTION NEAR INTERMEDIATE BENT

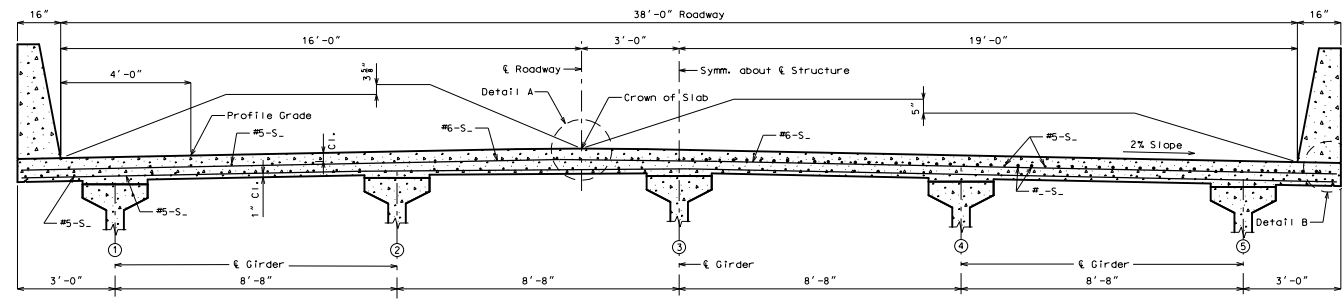
Type 2,3,4 C.I.P. (5 Girder)



HALF SECTION NEAR MIDSPAN SECTION THRU SLAB HALF SECTION NEAR INTERMEDIATE BENT

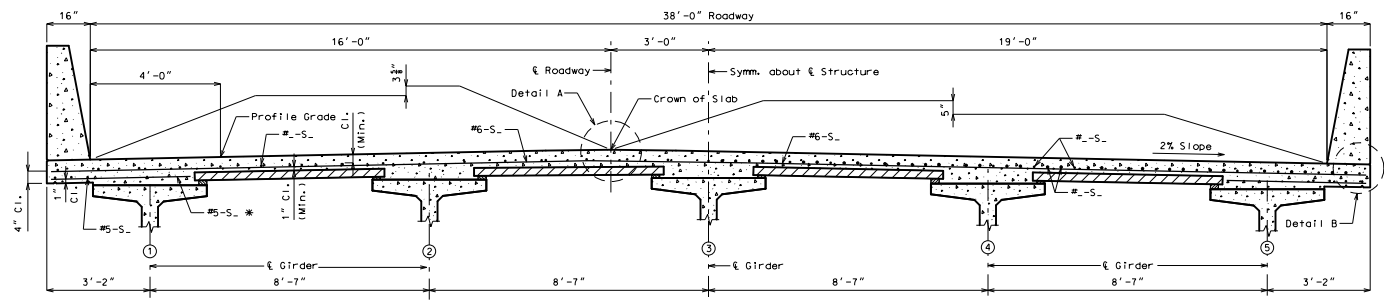
* Alternate bar shape available, see barrier sheet.

Type 6 w/ Panel (5 Girder)



HALF SECTION NEAR MIDSPAN SECTION THRU SLAB HALF SECTION NEAR INTERMEDIATE BENT

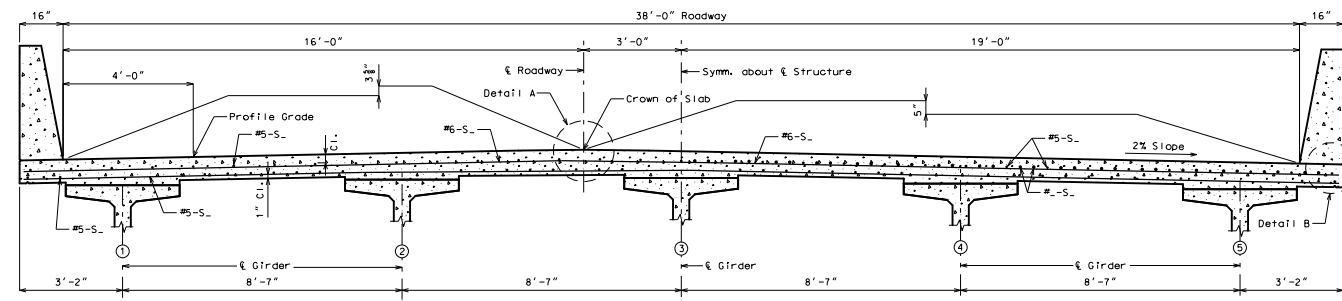
Type 6 C.I.P. (5 Girder)



HALF SECTION NEAR MIDSPAN SECTION THRU SLAB HALF SECTION NEAR INTERMEDIATE BENT

* Alternate bar shape available, see barrier sheet.

Bulb Tee w/ Panel (5 Girder)



HALF SECTION NEAR MIDSPAN SECTION THRU SLAB HALF SECTION NEAR INTERMEDIATE BENT

Bulb Tee C.I.P. (5 Girder)