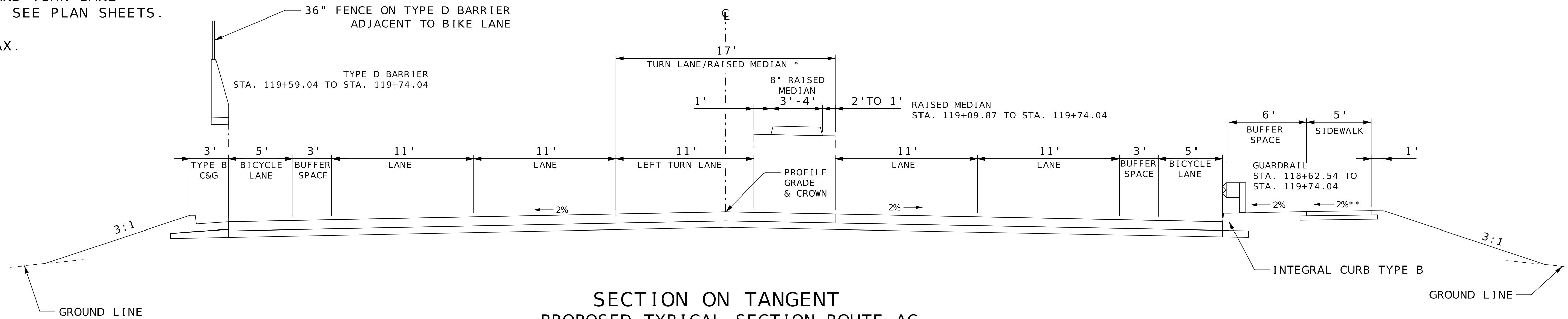


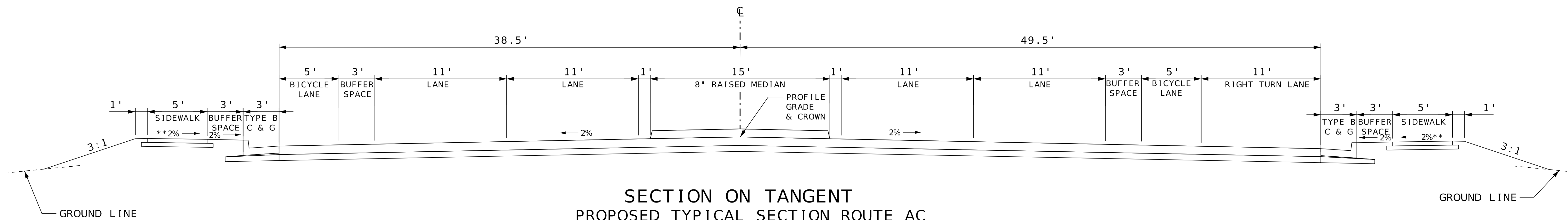
\* RAISED MEDIAN AND TURN LANE  
LOCATIONS VARY. SEE PLAN SHEETS.

\*\* 1% MIN., 2% MAX.

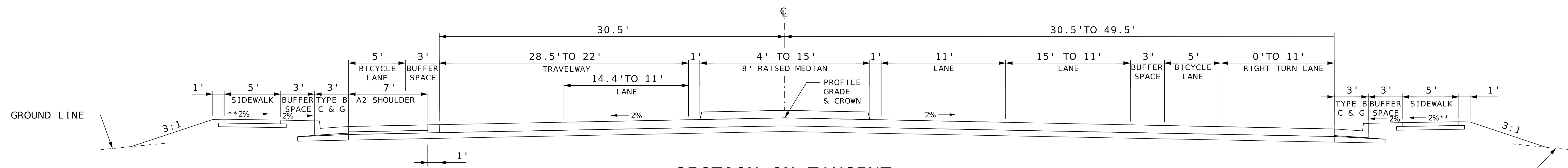
NOT TO SCALE



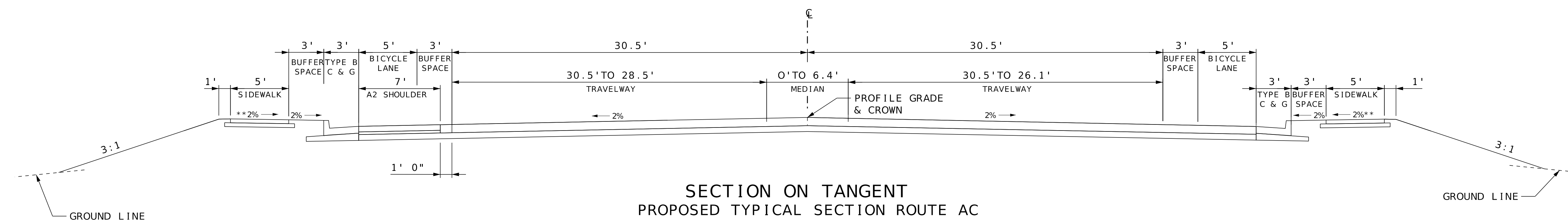
SECTION ON TANGENT  
PROPOSED TYPICAL SECTION ROUTE AC  
STA. 118+09.98 TO STA. 119+74.04



SECTION ON TANGENT  
PROPOSED TYPICAL SECTION ROUTE AC  
STA. 116+19.17 TO STA. 118+09.98



SECTION ON TANGENT  
PROPOSED TYPICAL SECTION ROUTE AC  
STA. 111+78.41 TO STA. 116+19.17



SECTION ON TANGENT  
PROPOSED TYPICAL SECTION ROUTE AC  
STA. 110+60.73 TO STA. 111+78.41

TYPICAL SECTIONS  
SHEET 1 OF 4

PRELIMINARY  
PLANS NOT  
APPROVED  
FOR  
CONSTRUCTION

DATE PREPARED  
4/23/2026  
ROUTE AC STATE MO  
DISTRICT NW SHEET NO. 2  
COUNTY  
BUCHANAN  
JOB NO.  
J1S3030  
CONTRACT ID.

PROJECT NO.  
BRIDGE NO.

DATE	DESCRIPTION

MISSOURI HIGHWAYS AND TRANSPORTATION  
COMMISSION  
MoDOT  
105 WEST CAPITOL  
JEFFERSON CITY, MO 65102  
1-888-ASK-MODOT (1-888-275-6636)

1310 East 104th St.  
Kansas City, MO 64131  
Tel: (816) 974-4875  
Fax: (816) 974-4875  
www.trekdesigngroup.com  
Missouri Dept. of  
Transportation  
Authority 202310300  
**TREK**  
DESIGN GROUP, LLC

IF A SEAL IS PRESENT ON THIS SHEET IT HAS BEEN ELECTRONICALLY SEALED AND DATED.

PRELIMINARY  
PLANS NOT  
APPROVED  
FOR  
CONSTRUCTION

DATE PREPARED  
4/23/2026

ROUTE AC	STATE MO
DISTRICT NW	SHEET NO. 2

COUNTY  
BUCHANAN

JOB NO.  
J153030

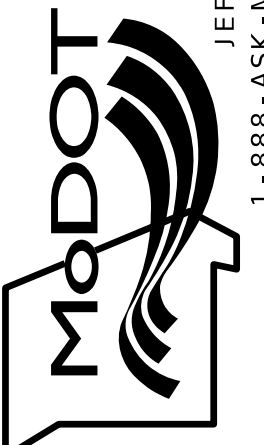
CONTRACT ID.

PROJECT NO.

BRIDGE NO.

DATE	DESCRIPTION

MISSOURI HIGHWAYS AND TRANSPORTATION  
COMMISSION



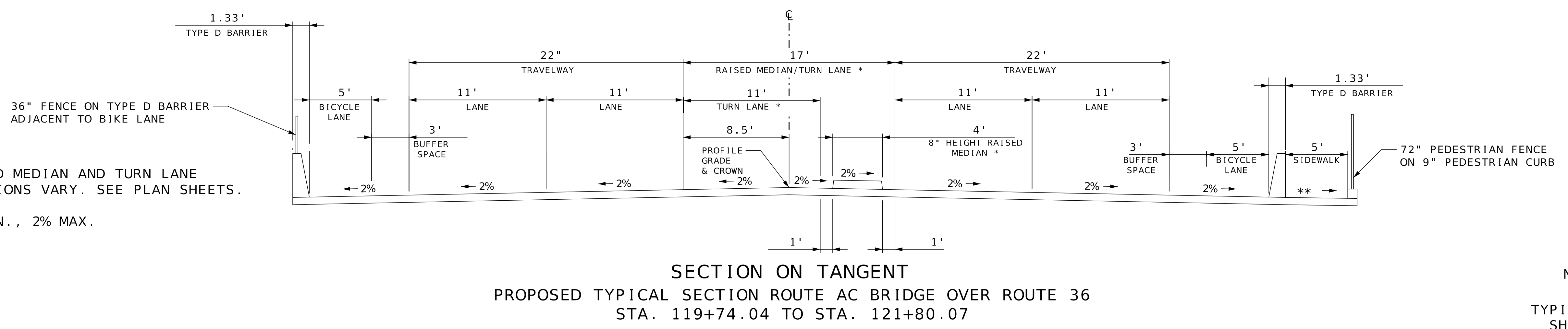
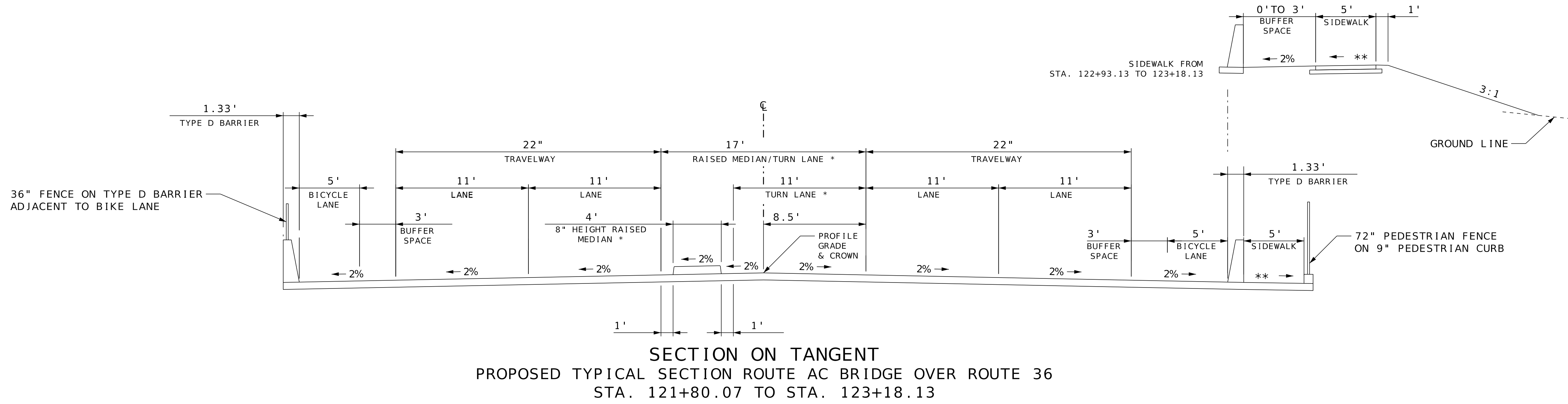
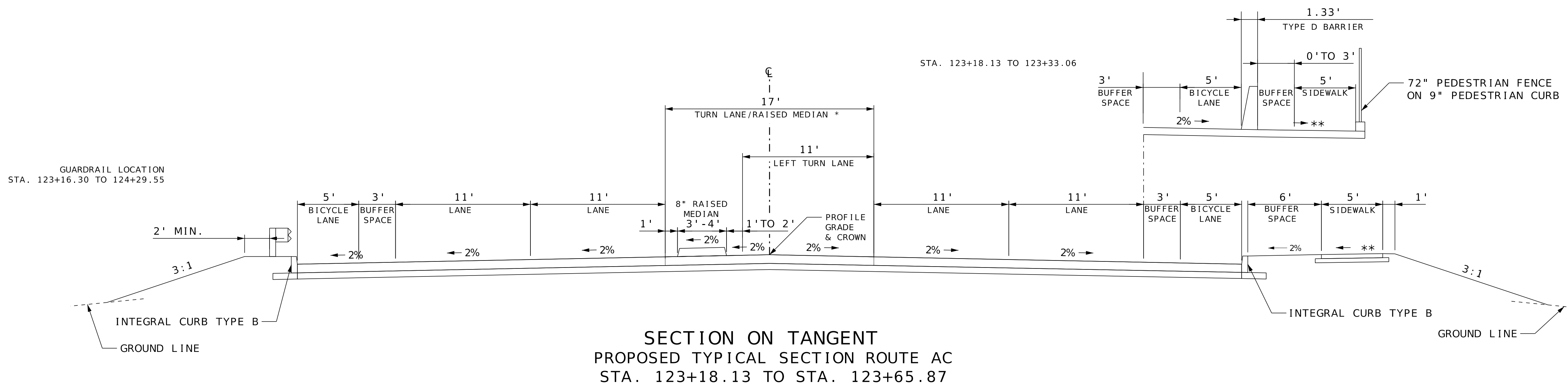
105 WEST CAPITOL  
JEFFERSON CITY, MO 65102  
1-888-ASK-MODOT (1-888-275-6636)

1310 East 104th St.  
Kansas City, MO 64131  
Tel: (816) 874-4875  
Fax: (816) 874-4875  
www.trekdesigngroup.com

Microsoft Corp. of  
Authority 202010300

**TREK**  
DESIGN GROUP, LLC

IF A SEAL IS PRESENT ON THIS SHEET IT HAS BEEN ELECTRONICALLY SEALED AND DATED.



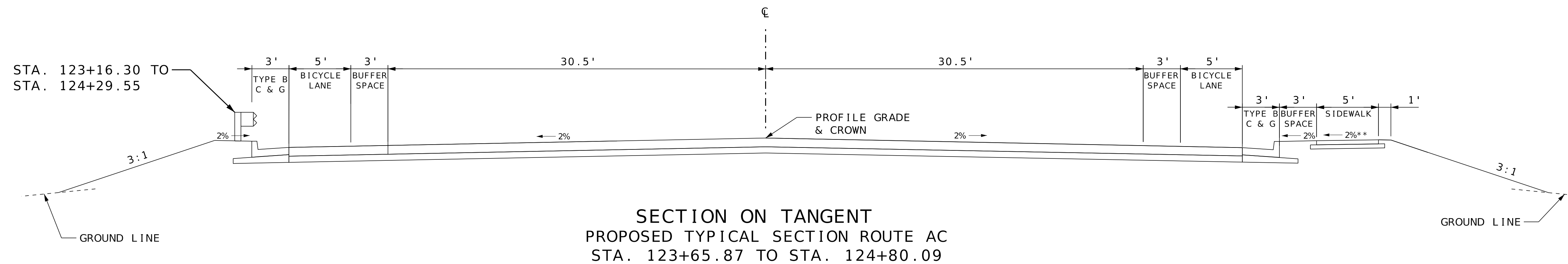
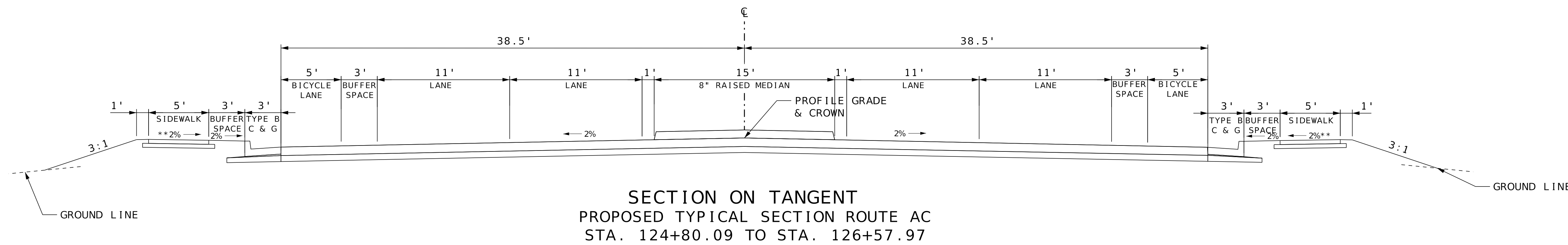
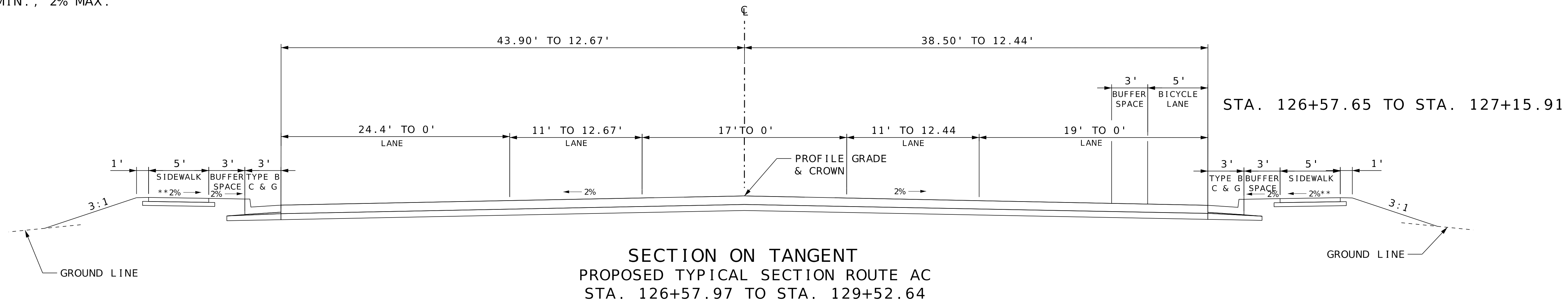
\* RAISED MEDIAN AND TURN LANE  
LOCATIONS VARY. SEE PLAN SHEETS.

\*\* 1% MIN., 2% MAX.

NOT TO SCALE

TYPICAL SECTIONS  
SHEET 2 OF 4

\* RAISED MEDIAN AND TURN LANE LOCATIONS VARY. SEE PLAN SHEETS.  
 \*\* 1% MIN., 2% MAX.



NOT TO SCALE

TYPICAL SECTIONS  
 SHEET 3 OF 4

PRELIMINARY  
 PLANS NOT  
 APPROVED  
 FOR  
 CONSTRUCTION

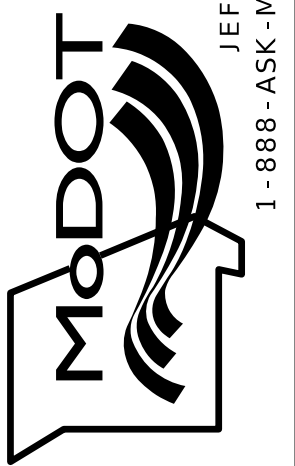
DATE PREPARED  
 4/23/2026  
 ROUTE AC STATE MO  
 DISTRICT NW SHEET NO. 2

COUNTY  
 BUCHANAN  
 JOB NO.  
 J1S3030  
 CONTRACT ID.

PROJECT NO.  
 BRIDGE NO.

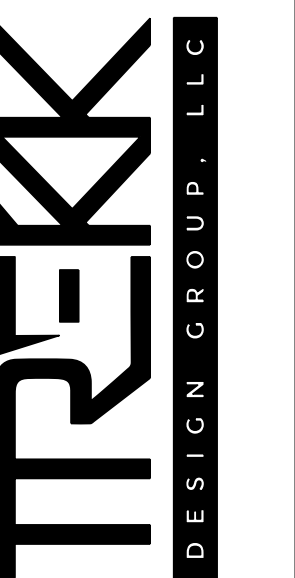
DATE	DESCRIPTION

MISSOURI HIGHWAYS AND TRANSPORTATION  
 COMMISSION

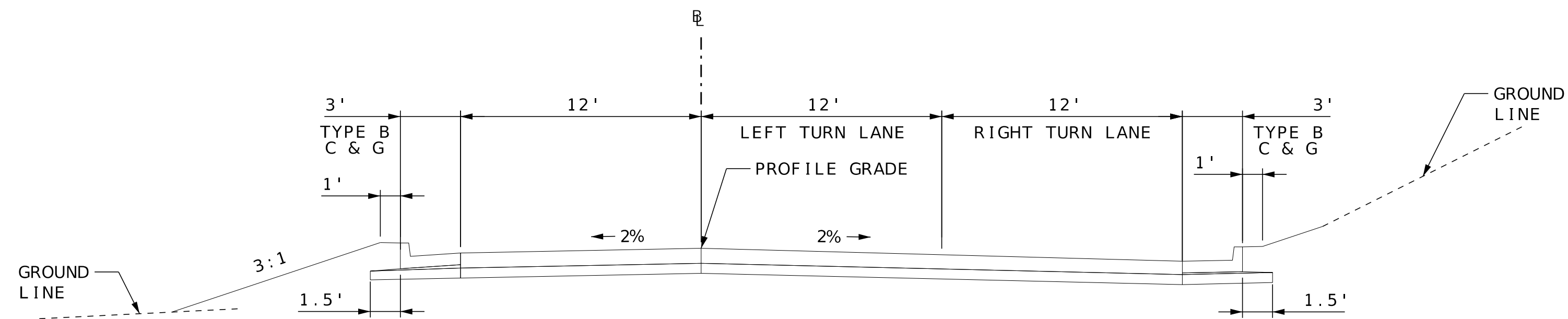


105 WEST CAPITOL  
 JEFFERSON CITY, MO 65102  
 1-888-ASK-MODOT (1-888-275-6636)

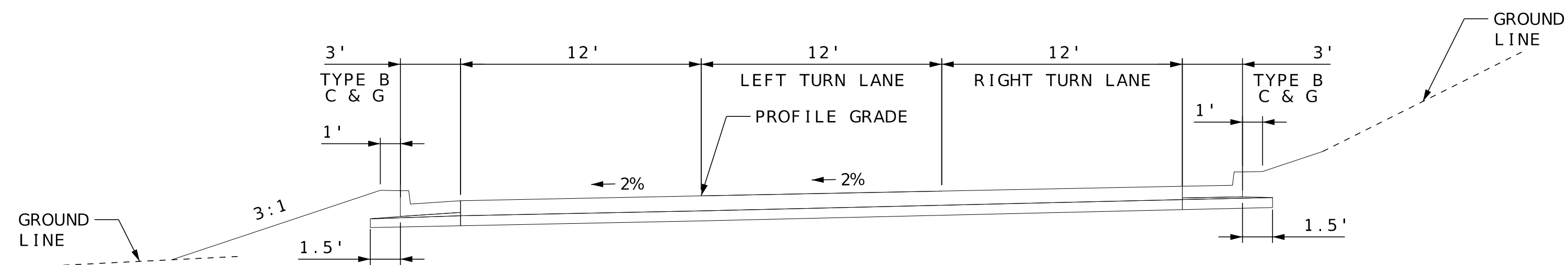
1310 East 104th St.  
 Kansas City, MO 64131  
 Tel: (816) 974-4875  
 Fax: (816) 974-4875  
 www.trekkdesigngroup.com  
 Missouri Corp. of  
 Authority 202010300



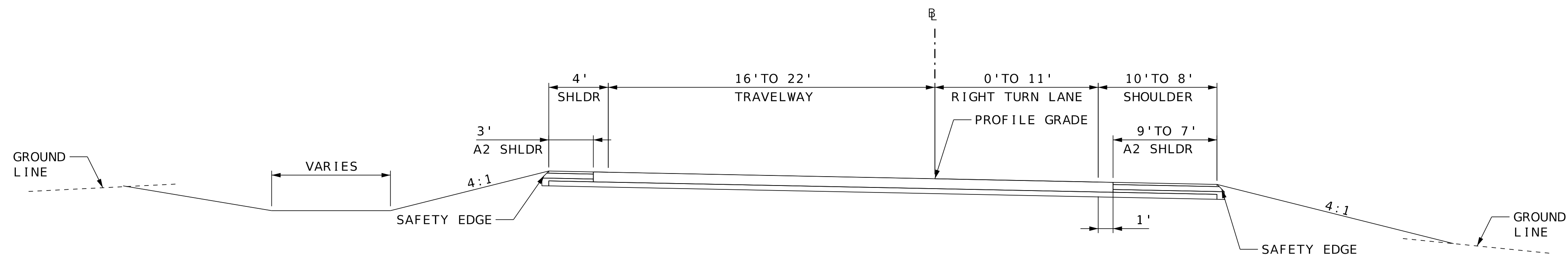
IF A SEAL IS PRESENT ON THIS SHEET IT HAS BEEN ELECTRONICALLY SEALED AND DATED.



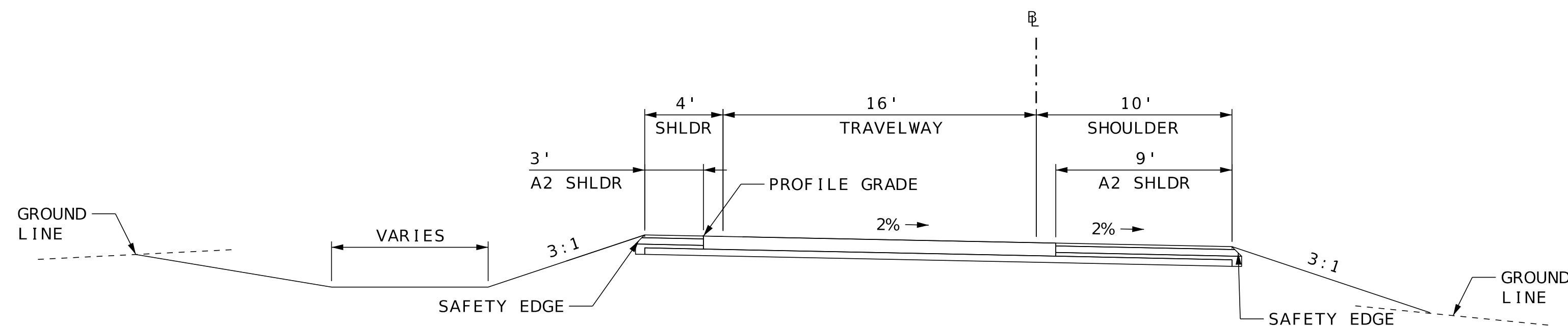
SECTION ON TANGENT  
 PROPOSED TYPICAL SECTION DELMAR'S WAY  
 STA. 4+00.00 TO STA. 4+61.62



SECTION ON TANGENT  
 PROPOSED TYPICAL SECTION OUTER ROAD  
 STA. 75+62.68 TO STA. 77+27.40



SECTION ON SUPERELEVATED CURVE  
 PROPOSED TYPICAL SECTION RAMPS  
 RAMP 2: STA. 5+35.84 TO STA. 15+45.35



SECTION ON TANGENT  
 PROPOSED TYPICAL SECTION RAMPS  
 RAMP 1: STA. 0+38.51 TO STA. 1+45.41  
 RAMP 3: STA. 13+88.61 TO STA. 16+66.02  
 RAMP 4: STA. 0+38.65 TO STA. 2+50.00

NOT TO SCALE

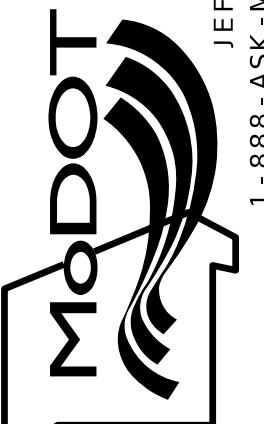
TYPICAL SECTIONS  
 SHEET 4 OF 4

PRELIMINARY  
 PLANS NOT  
 APPROVED  
 FOR  
 CONSTRUCTION

DATE PREPARED  
 4/23/2026  
 ROUTE AC STATE MO  
 DISTRICT NW SHEET NO. 2  
 COUNTY BUCHANAN  
 JOB NO. J1S3030  
 CONTRACT ID.

PROJECT NO.  
 BRIDGE NO.

DATE	DESCRIPTION

MISSOURI HIGHWAYS AND TRANSPORTATION  
 COMMISSION  
  
 105 WEST CAPITOL  
 JEFFERSON CITY, MO 65102  
 1-888-ASK-MODOT (1-888-275-6636)

1310 East 104th St.  
 Kansas City, MO 64131  
 Tel: (816) 974-4875  
 Fax: (816) 974-4875  
 www.trekdesigngroup.com  
 Missouri Dept. of  
 Transportation  
 Authority 202310300

**TREK**  
 DESIGN GROUP, LLC

IF A SEAL IS PRESENT ON THIS SHEET IT HAS BEEN ELECTRONICALLY SEALED AND DATED.