

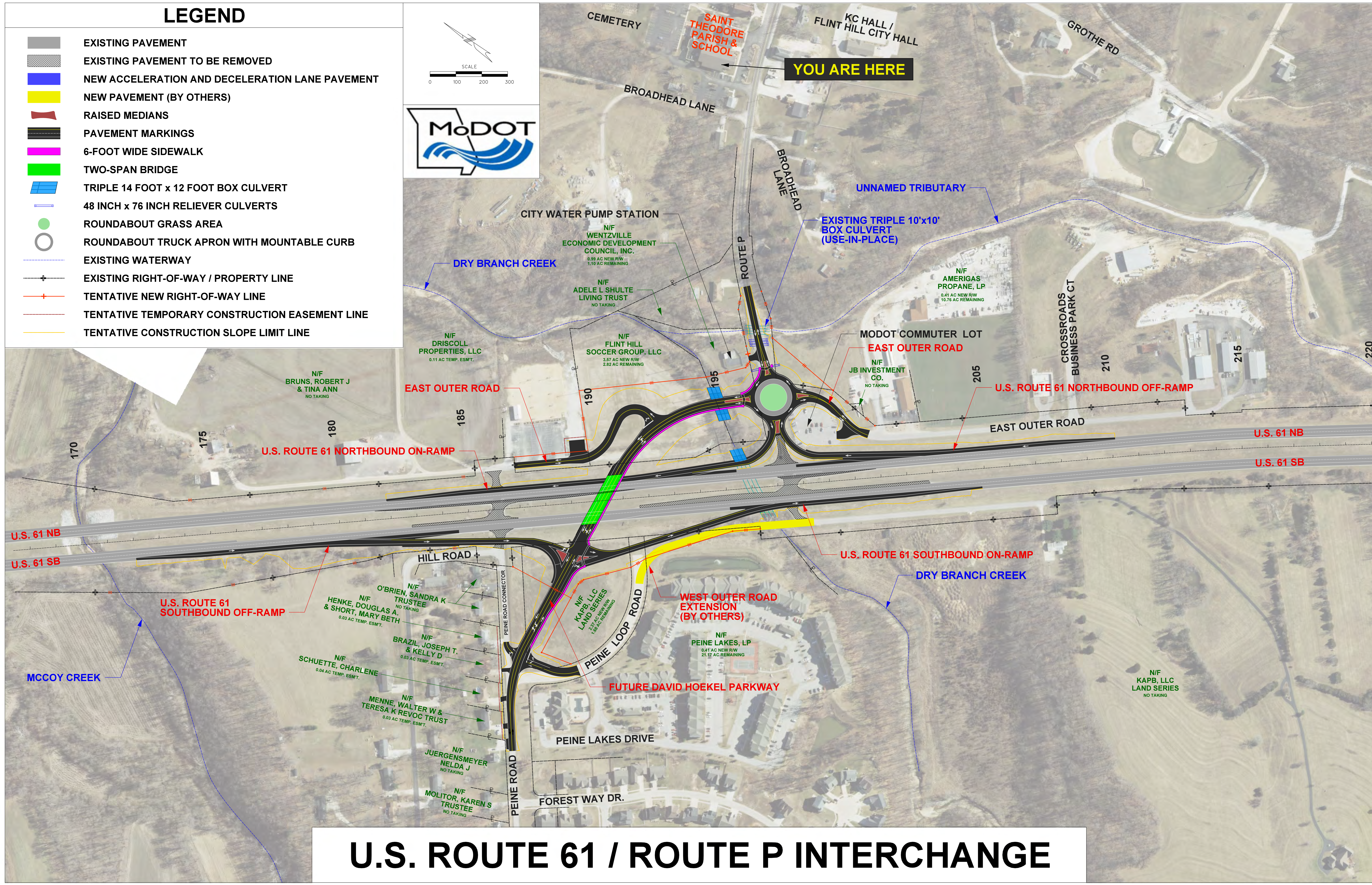
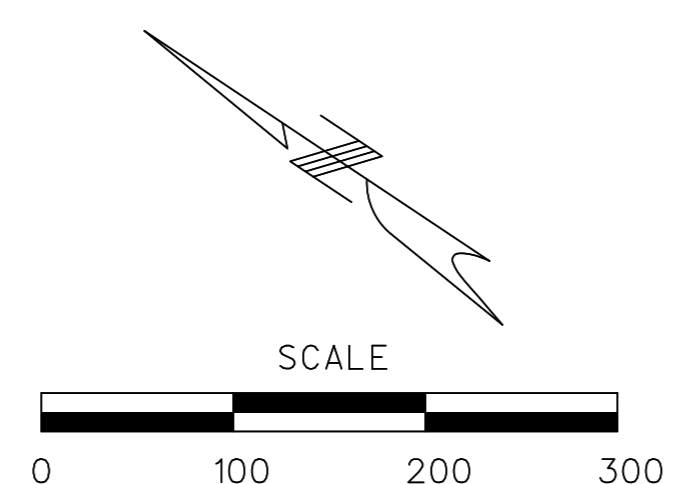


LEGEND

-  EXISTING PAVEMENT
-  EXISTING PAVEMENT TO BE REMOVED
-  NEW ACCELERATION AND DECELERATION LANE PAVEMENT
-  NEW PAVEMENT (BY OTHERS)
-  RAISED MEDIANS
-  PAVEMENT MARKINGS
-  6-FOOT WIDE SIDEWALK
-  TWO-SPAN BRIDGE
-  TRIPLE 14 FOOT x 12 FOOT BOX CULVERT
-  48 INCH x 76 INCH RELIEVER CULVERTS
-  ROUNDABOUT GRASS AREA
-  ROUNDABOUT TRUCK APRON WITH MOUNTABLE CURB
-  EXISTING WATERWAY
-  EXISTING RIGHT-OF-WAY / PROPERTY LINE
-  TENTATIVE NEW RIGHT-OF-WAY LINE
-  TENTATIVE TEMPORARY CONSTRUCTION EASEMENT LINE
-  TENTATIVE CONSTRUCTION SLOPE LIMIT LINE



U.S. ROUTE 61 / ROUTE P INTERCHANGE