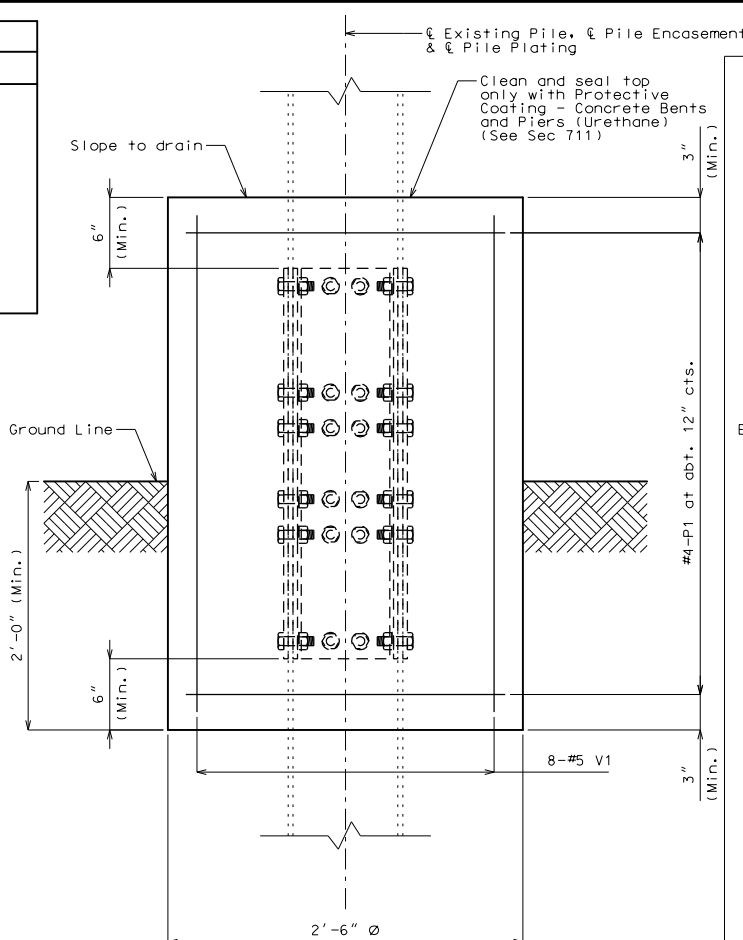


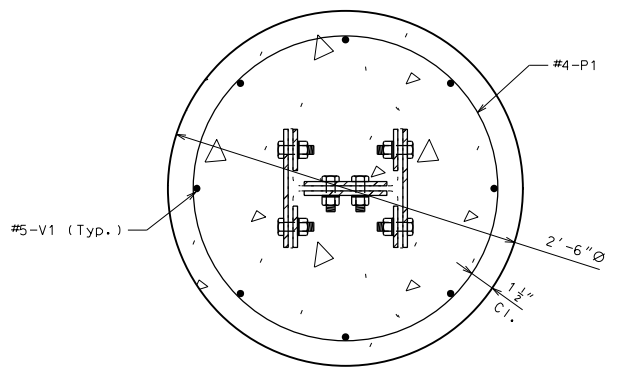
BILL OF REINFORCING STEEL - EACH PILE				
NO.	SIZE & MARK	ACTUAL LENGTH	SHAPE	BENDING DIAGRAM
Varies	4 P1	10'-0"	16	
8	5 V1	Varies	20	
				SHAPE 20

**Notes:**  
 All dimensions are out to out.  
 Hooks and bends shall be in accordance with the CRSI Manual of Standard Practice for Detailing Reinforced Concrete Structures, Stirrup and Tie Dimensions.  
 Actual lengths are measured along centerline of bar to the nearest inch.  
 All bars shall be epoxy coated.

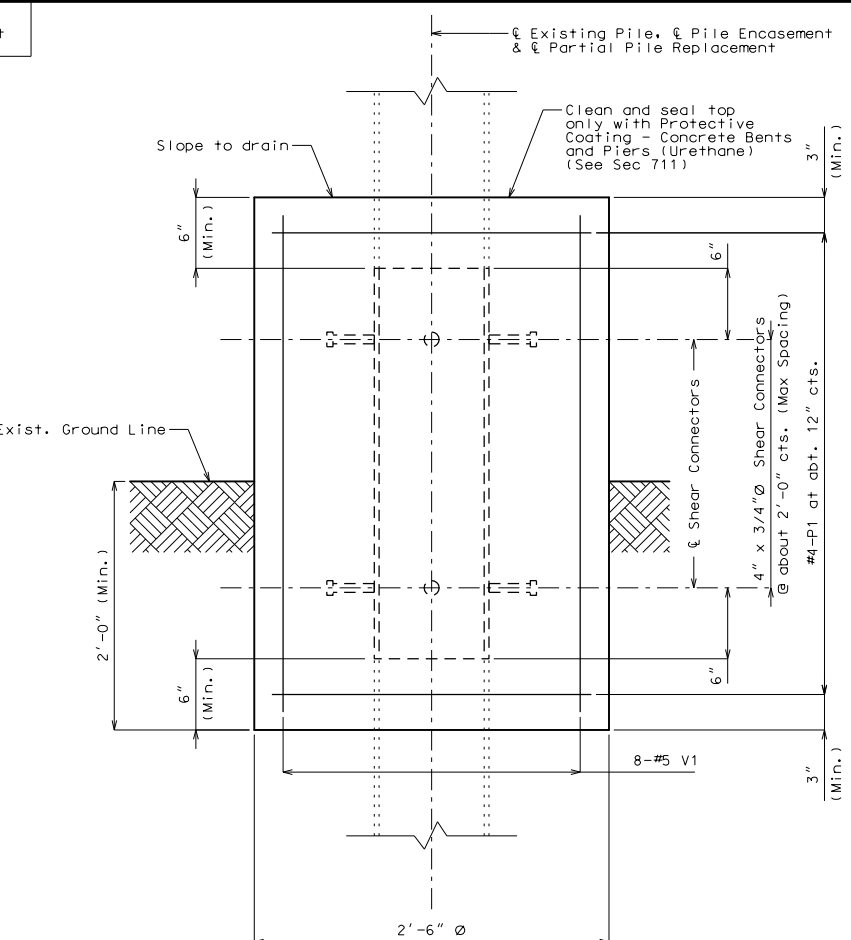
**General Notes:**  
 All concrete for pile encasement shall be Class B ( $f'c = 3000$  psi).  
 The reinforcing steel shall be epoxy coated Grade 60 with  $f_y = 60,000$  psi.  
 Minimum clearance to reinforcing steel shall be 1 1/2", unless otherwise shown.  
 The exposed and accessible surfaces of the existing structural steel that will be encased in concrete shall be cleaned with a minimum of SSPC-SP-3 surface preparation and coated with a minimum of one coat of gray epoxy-mastic primer (non-aluminum) in accordance with Sec 1081 to produce a dry film thickness of not less than 3 mils before concrete is poured. The surface preparation and coating for piles shall extend a minimum of one foot outside the face of the pile encasement.  
 Cost of all concrete, reinforcement, shear connectors, surface preparation, coatings and any other incidental material or labor to complete pile encasement, complete in place, will be considered completely covered by the contract unit price for Pile Encasement. ③  
 A FRP pile jacketing system may be used in lieu of pile encasement at the contractor's option. No additional payment will be made for this substitution. See special provisions.  
 Shear connectors shall be in accordance with Sec 712, 1037 and 1080. ③  
 For details of pile plating, see Sheet No. .



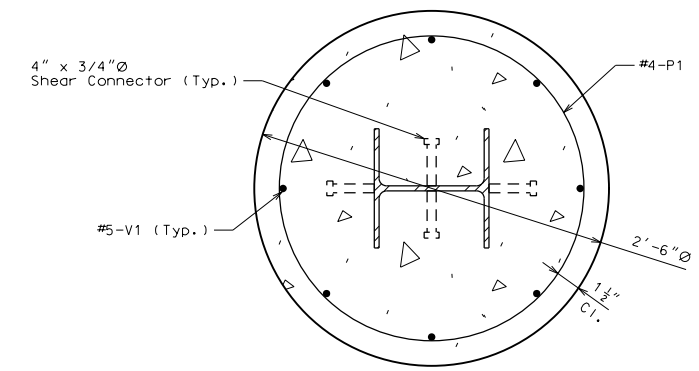
**PART ELEVATION SHOWING PILE ENCASEMENT ①**  
 Note: Existing sway bracing not shown for clarity. Shift reinforcing steel in the field to clear existing sway bracing. ②



**SECTION SHOWING PILE ENCASEMENT WITH PILE PLATING ①**



**PART ELEVATION SHOWING PILE ENCASEMENT ①**  
 Note: Existing sway bracing not shown for clarity. Shift reinforcing steel in the field to clear existing sway bracing. ②



**SECTION SHOWING PILE ENCASEMENT WITH PARTIAL PILE REPLACEMENT ①**

**PILE ENCASEMENT WITH PILE REPAIR**

Note: This drawing is not to scale. Follow dimensions. Sheet No. of

THIS MEDIA SHOULD NOT BE CONSIDERED A CERTIFIED DOCUMENT.

DATE PREPARED: 7/7/2020

ROUTE: MO STATE: MO DISTRICT: BR SHEET NO. COUNTY: PROJECT NO. BRIDGE NO. RHB10

MISSOURI HIGHWAYS AND TRANSPORTATION COMMISSION

105 WEST CAPITAL JEFFERSON CITY, MO 65102 1-888-ASK-MODOT (1-888-275-6636)

IF A SEAL IS PRESENT ON THIS SHEET IT HAS BEEN ELECTRONICALLY SEALED AND DATED.

**Standard Drawing Guidance (do not show on plans):**  
 ① This sheet is supplemental to Details of Pile Repair Sheet. Use details that match the selected pile repair method. Delete all other details. Use general notes and bill of reinforcing steel for either method.  
 See EPG 751.40.1.2.1 for guidance on when coating, encasement or jacketing, and plating or partial replacement should be considered.  
 ② Delete note if there is not any existing sway bracing. Existing sway bracing may need to be removed and replaced or reattached if it is located in the area of pile to be replaced or plated.  
 ③ Shear connectors are only used for partial pile replacement.

