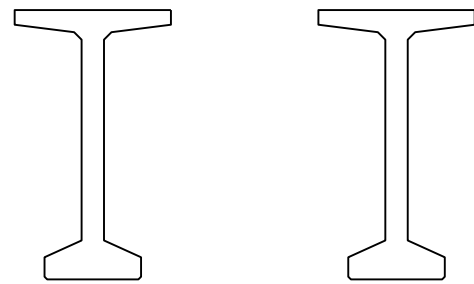
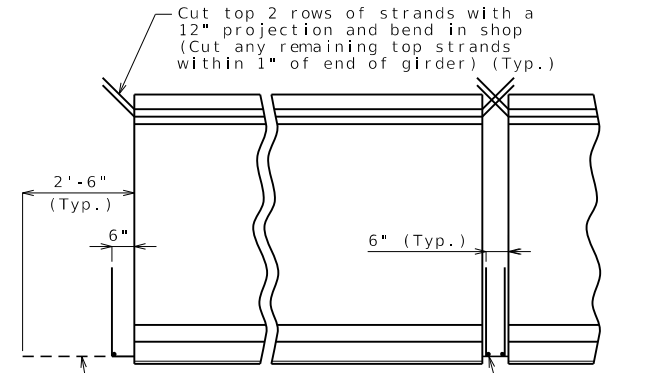


DIMENSIONS



STRAND ARRANGEMENT

+ Indicates prestressing strand. ○ Indicates cut & shop bend with 2'-6" projection.



STRANDS AT GIRDER ENDS

BILL OF REINFORCING STEEL - EACH GIRDER				
NO.	SIZE & MARK	ACTUAL LENGTH	SHAPE	BENDING DIAGRAM
XXX	X A1	X'-X"	20	
XXX	X B1	X'-X"	11S	
16	6 B2	6'-11"	11S	
XXX	4 C1	3'-5"	19S	
XXX	4 D1	3'-1"	9S	

All dimensions are out to out.

Hooks and bends shall be in accordance with the CRSI Manual of Standard Practice for Detailing Reinforced Concrete Structures, Stirrup and Tie Dimensions.

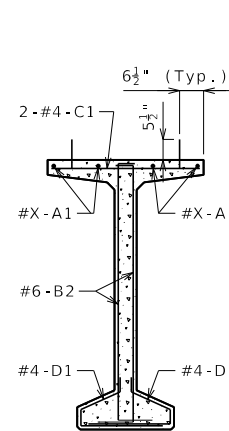
Actual lengths are measured along centerline of bar to the nearest inch.

Minimum clearance to reinforcing shall be 1 inch.

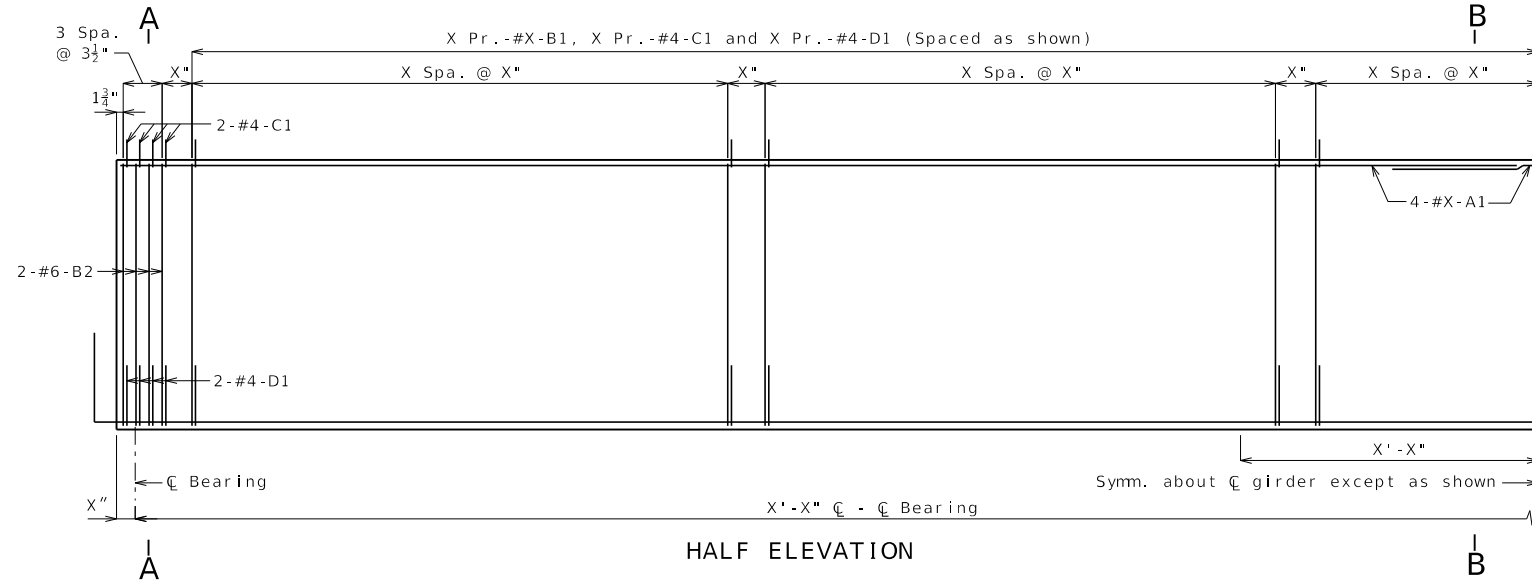
All reinforcement shall be Grade 60.

The two D1 bars may be furnished as one bar at the fabricator's option.

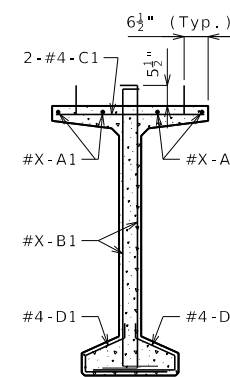
All B1 and C1 bars shall be epoxy coated.



SECTION A-A
Strands not shown for clarity.



HALF ELEVATION



SECTION B-B
Strands not shown for clarity.

General Notes:

Concrete for prestressed girders shall be Class A-1 with $f'_c =$ psi and $f'_{ci} =$ psi.

Use strands, 1/2"Ø Grade 270 with an initial prestress force of 4 kips.

Pretensioned members shall be in accordance with Sec 1029.

Fabricator shall be responsible for location and design of lifting devices.

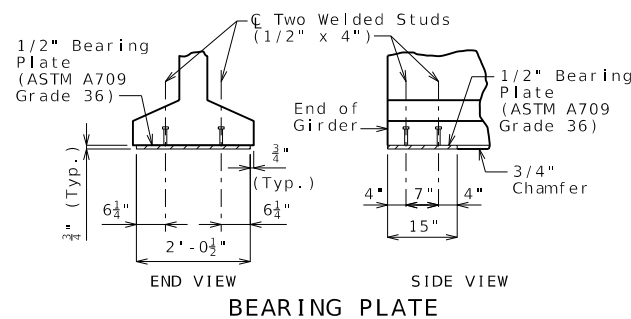
Exterior and interior girders are the same except: coil ties, coil inserts for slab drains, holes for steel intermediate diaphragms.

For Girder Camber Diagram, see Sheet No. ___.

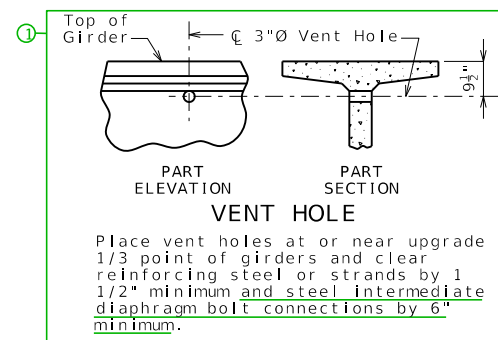
The 1 1/2"Ø holes shall be cast in the web for steel intermediate diaphragms. Drilling is not allowed. For location of holes and details of steel intermediate diaphragms, see Sheet No. ___.

For location of coil inserts at slab drains, see Sheet No. ___.

For location of coil ties at concrete diaphragms and integral bents, see Sheets No. __ and ___.

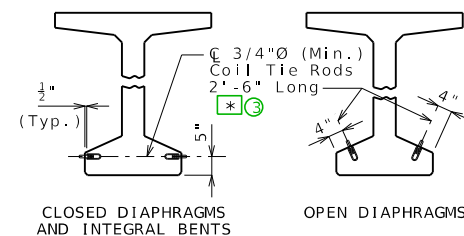


BEARING PLATE



VENT HOLE

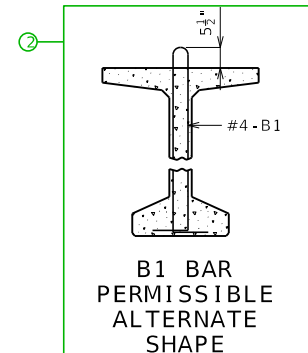
Place vent holes at or near upgrade 1/3 point of girders and clear reinforcing steel or strands by 1 1/2" minimum and steel intermediate diaphragm bolt connections by 6" minimum.



COIL TIES

Exclude coil tie at exterior face of exterior girders except at integral end bents.

* x'-x" at exterior face of exterior girders at end bents.



B1 BAR PERMISSIBLE ALTERNATE SHAPE

BULB-TEE GIRDERS - SPANS (X-X) AND (X-X)

Detailed Checked

Note: This drawing is not to scale. Follow dimensions.

Sheet No. of

DESCRIPTION	DATE

MISSOURI HIGHWAYS AND TRANSPORTATION COMMISSION

105 WEST CAPITOL JEFFERSON CITY, MO 65102
1-888-ASK-MODOT (1-888-275-6636)

DATE PREPARED 3/27/2024	
ROUTE	STATE MO
DISTRICT	SHEET NO. 5
COUNTY	
JOB NO.	
CONTRACT ID.	
PROJECT NO.	
BRIDGE NO.	

Standard Drawing Guidance (do not show on plans):

To display the strand details open the reference files dialog box and activate the display option of the file with the description that best matches what is required by the design.

See EPG for actual length of B1 bars which vary by size.

- ① This detail only needs to be used if the structure is over water. For all other crossings remove this detail.
- ② Remove if #5-B1 bars are used instead of #4-B1 bars.
- ③ Use with end spans when both interior & exterior girders are detailed on the same sheet, and the 2'-6" long tie rod will not fit in the exterior diaphragm portion. Remove when not necessary.
- ④ By design. Typically 30.98 kips per 1/2" strand & 43.94 kips per 0.6" strand, rounded to nearest whole kip.