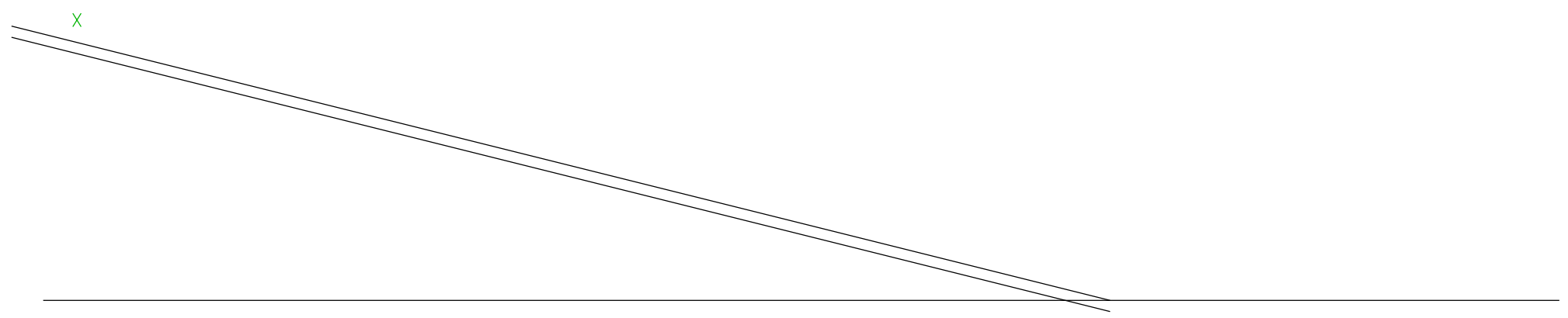
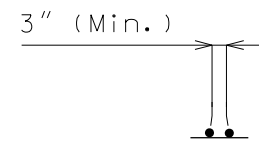
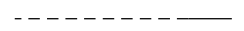
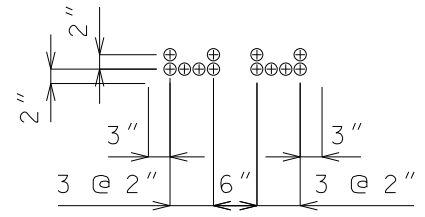
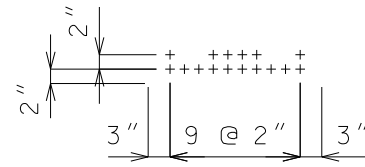
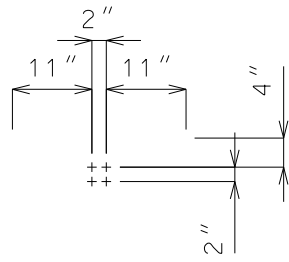
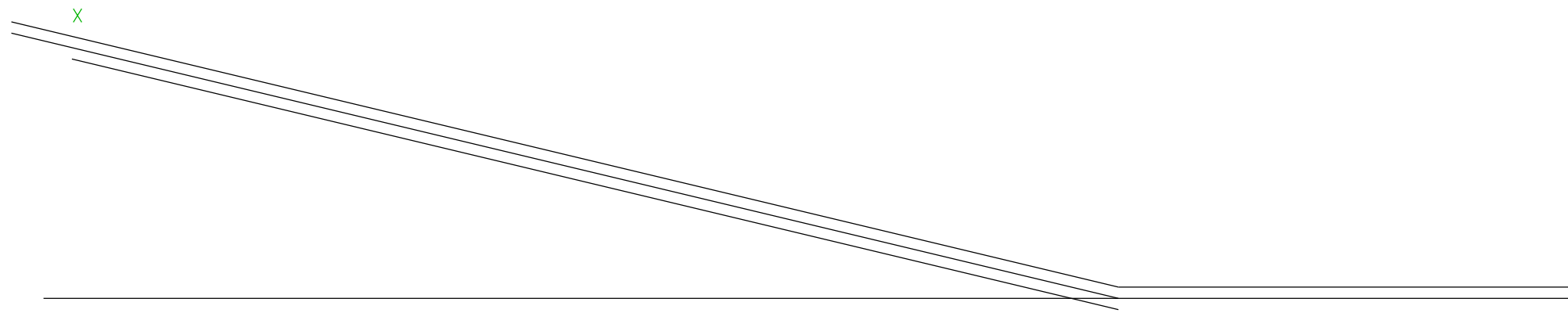
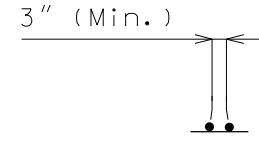
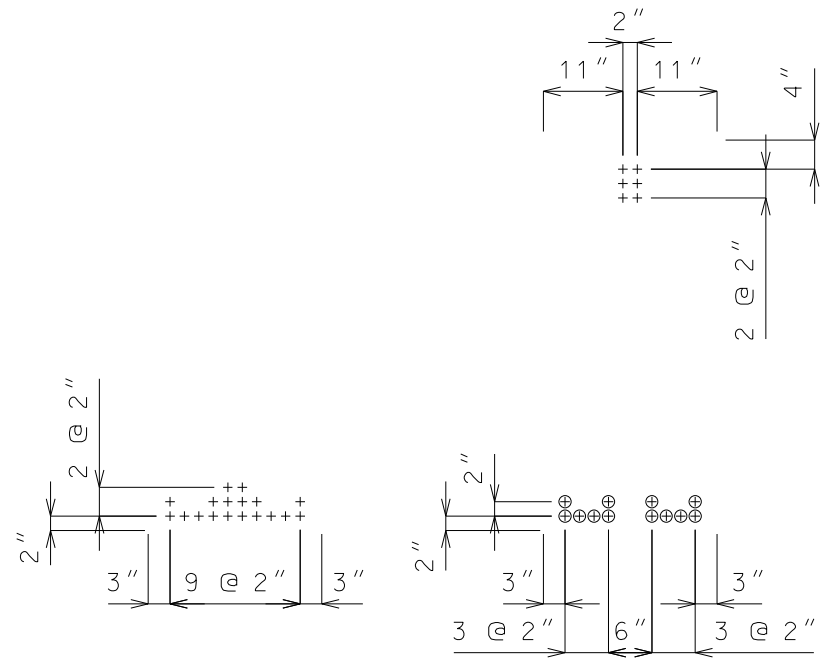


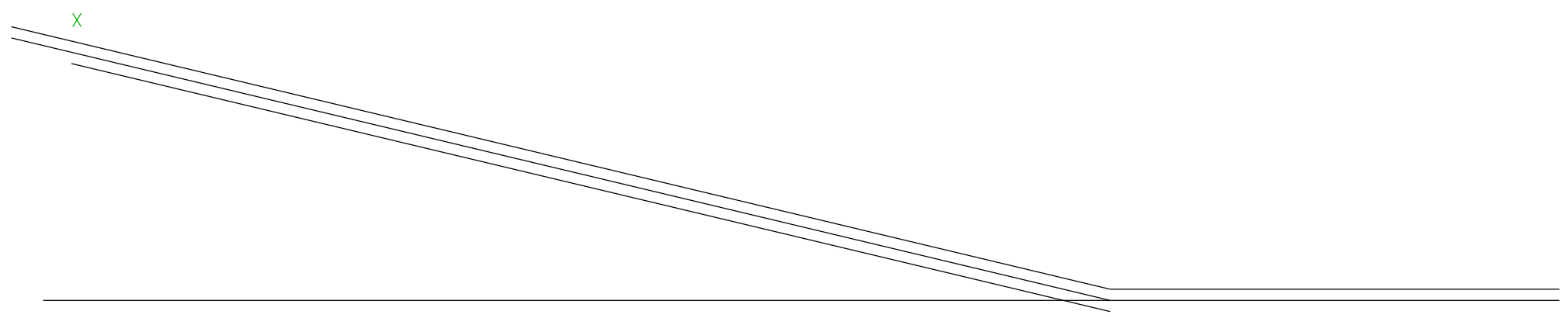
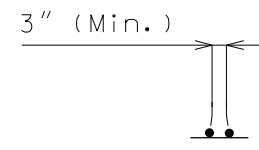
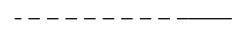
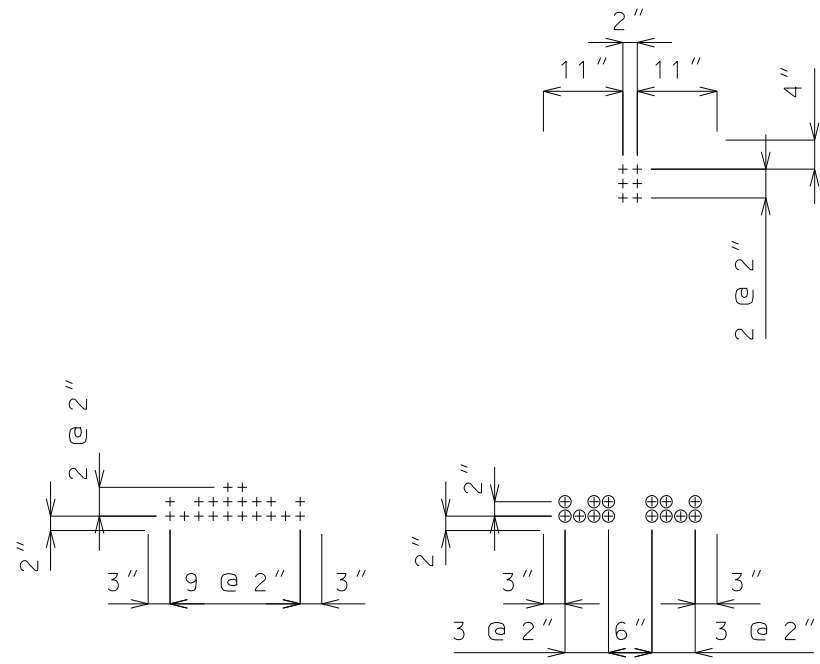
Type 6 Group 1 #1 (14 Strands)



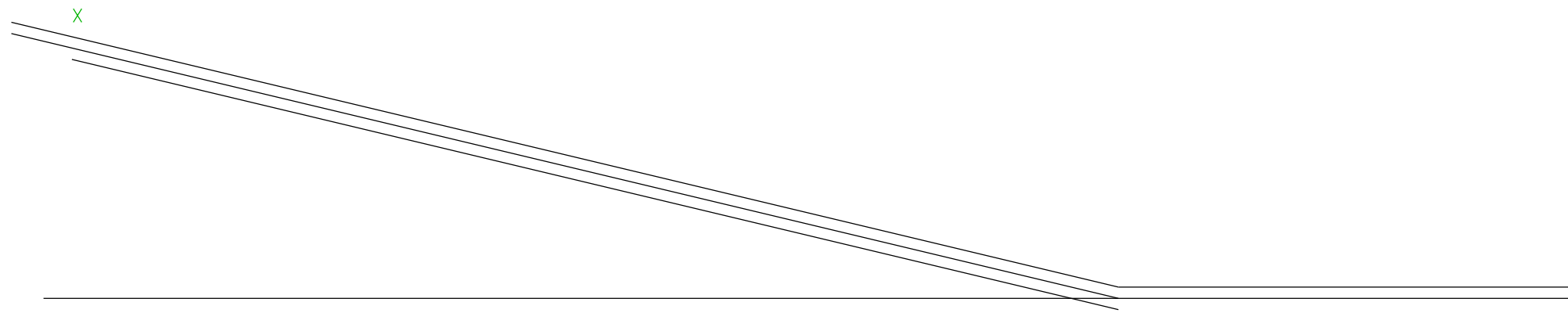
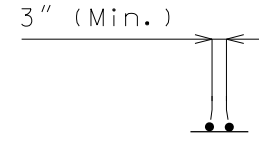
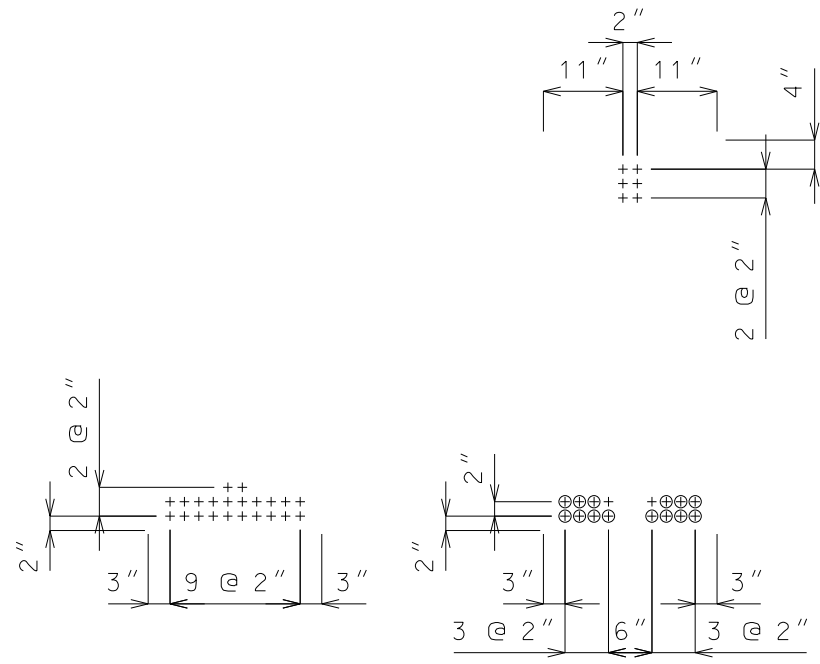
Type 6 Group 1 #2 (16 Strands)



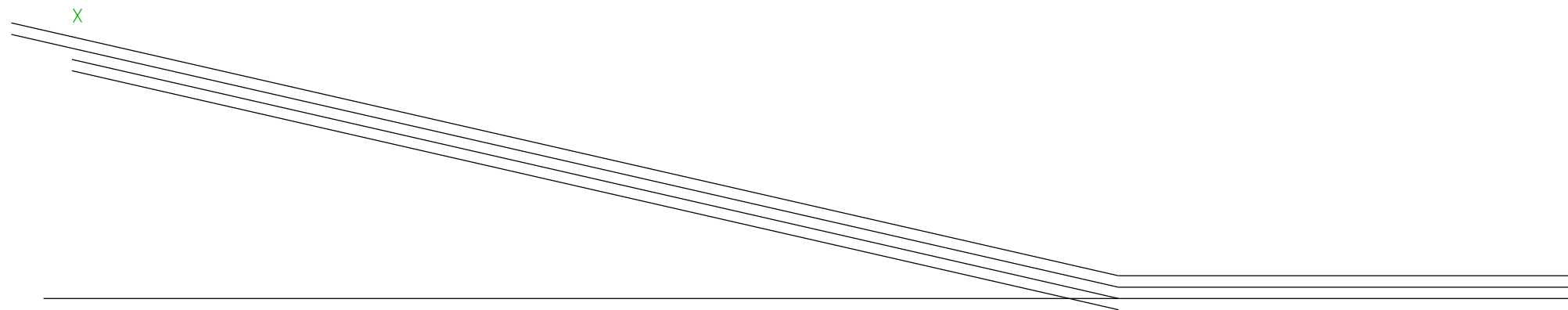
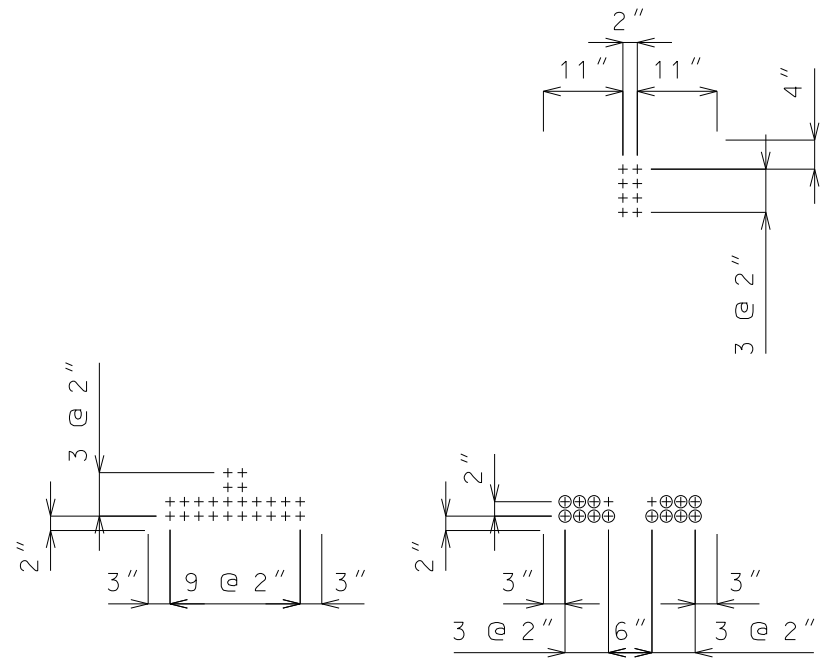
Type 6 Group 1 #3 (18 Strands)



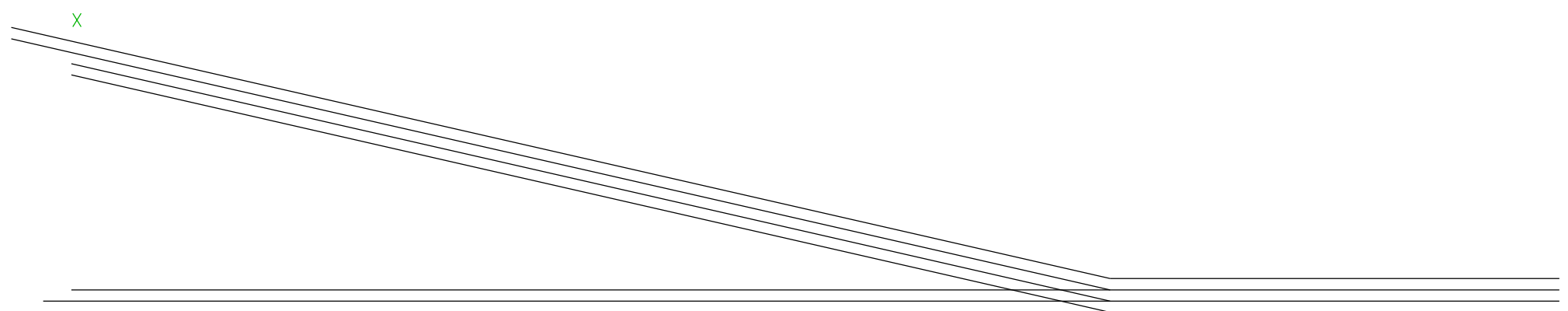
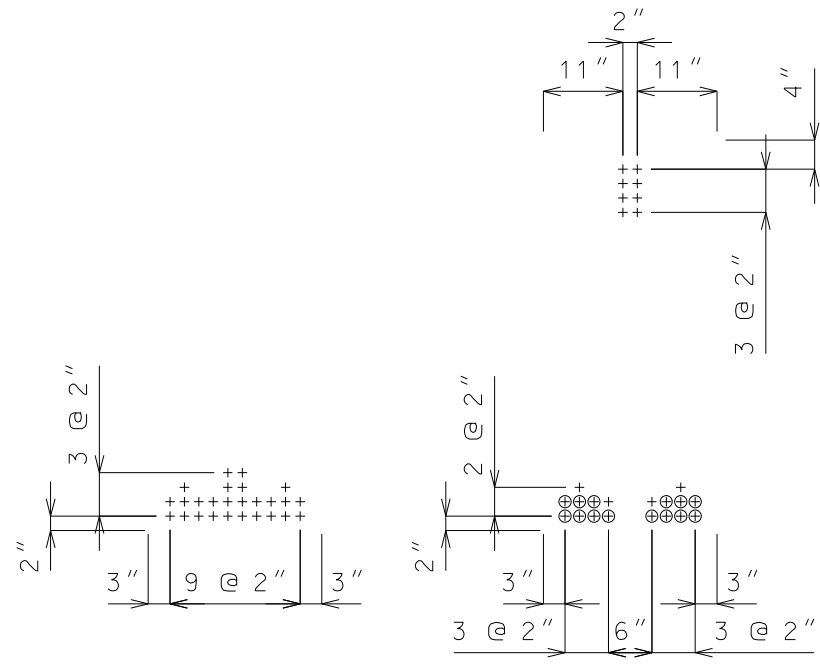
Type 6 Group 1 #4 (20 Strands)



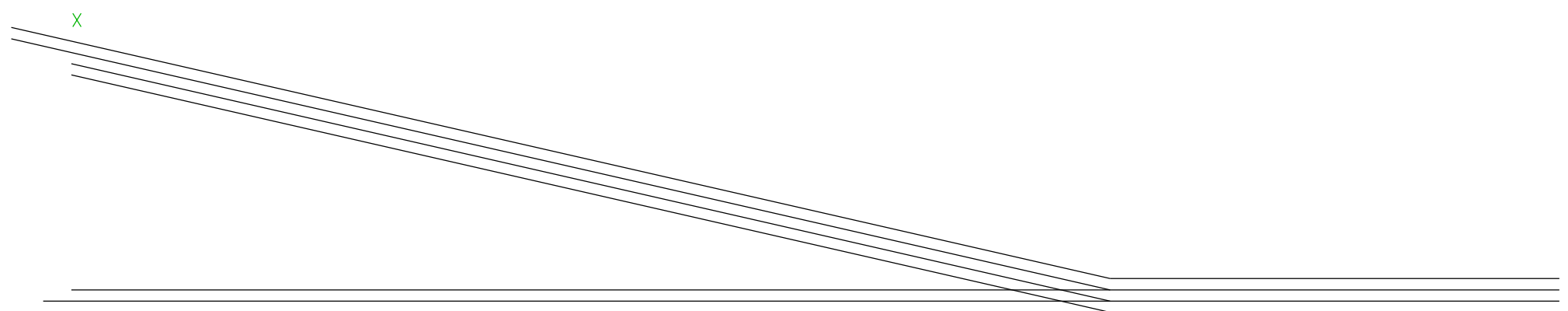
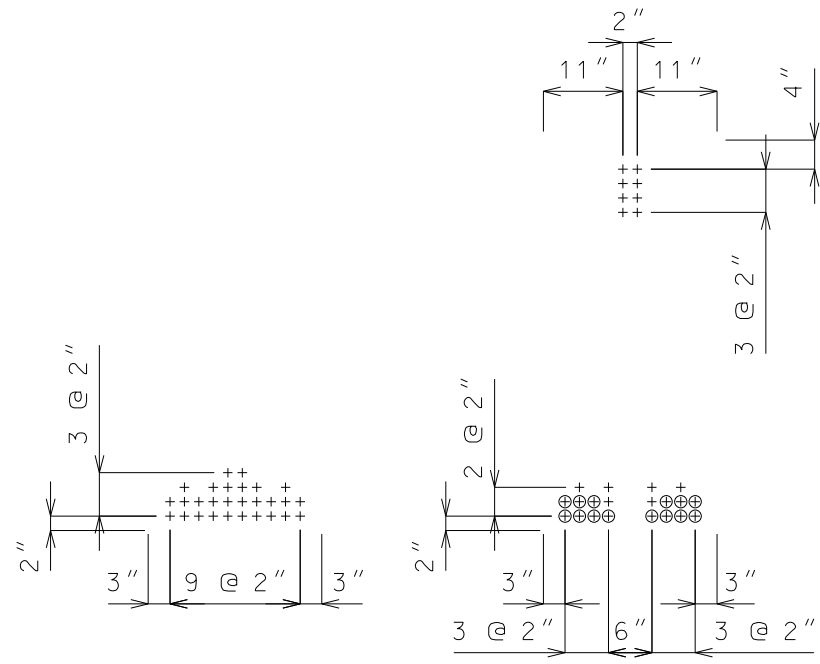
Type 6 Group 1 #5 (22 Strands)



Type 6 Group 1 #6 (24 Strands)

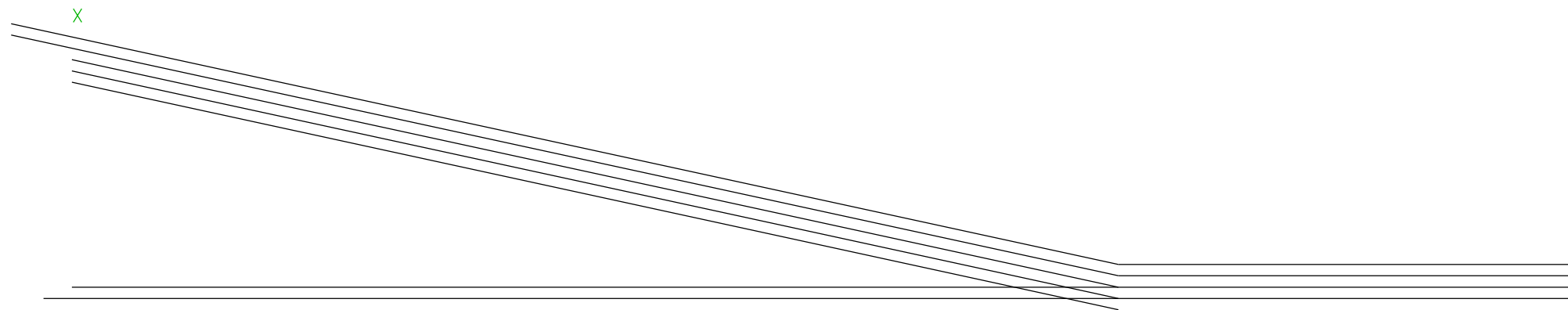
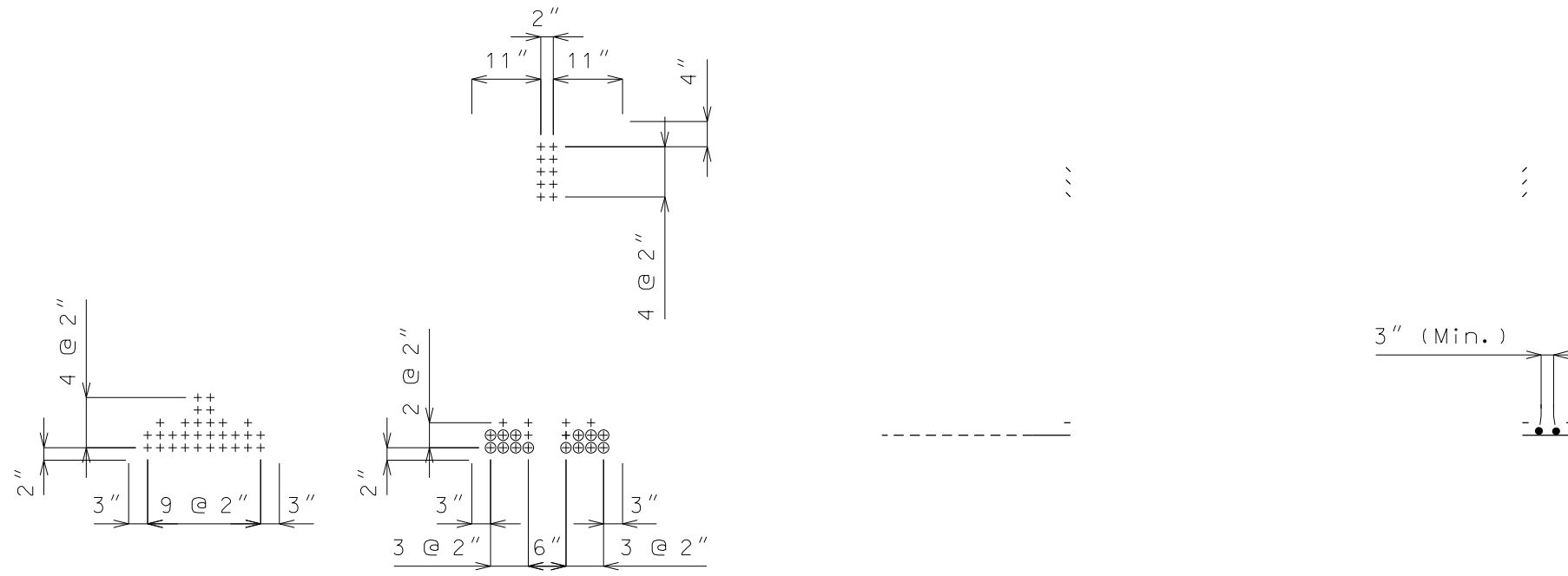


Type 6 Group 1 #7 (26 Strands)

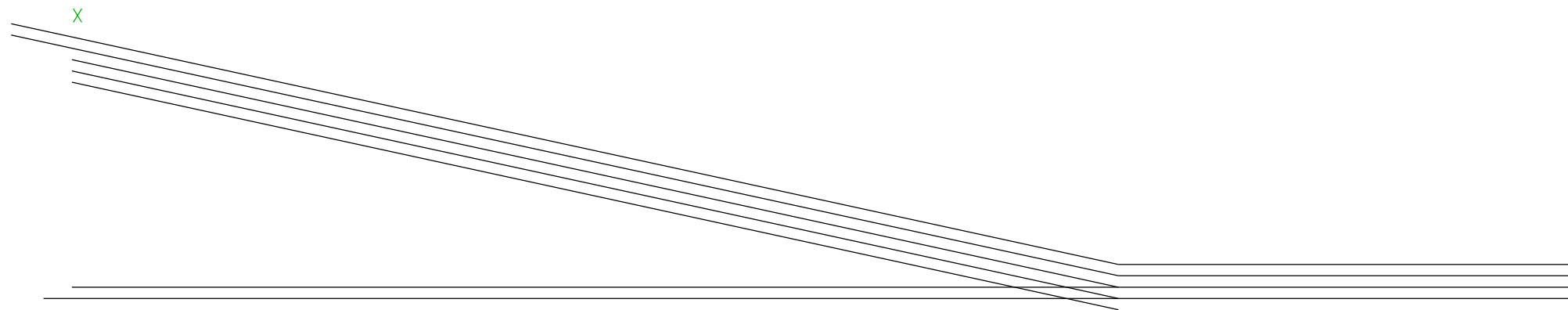
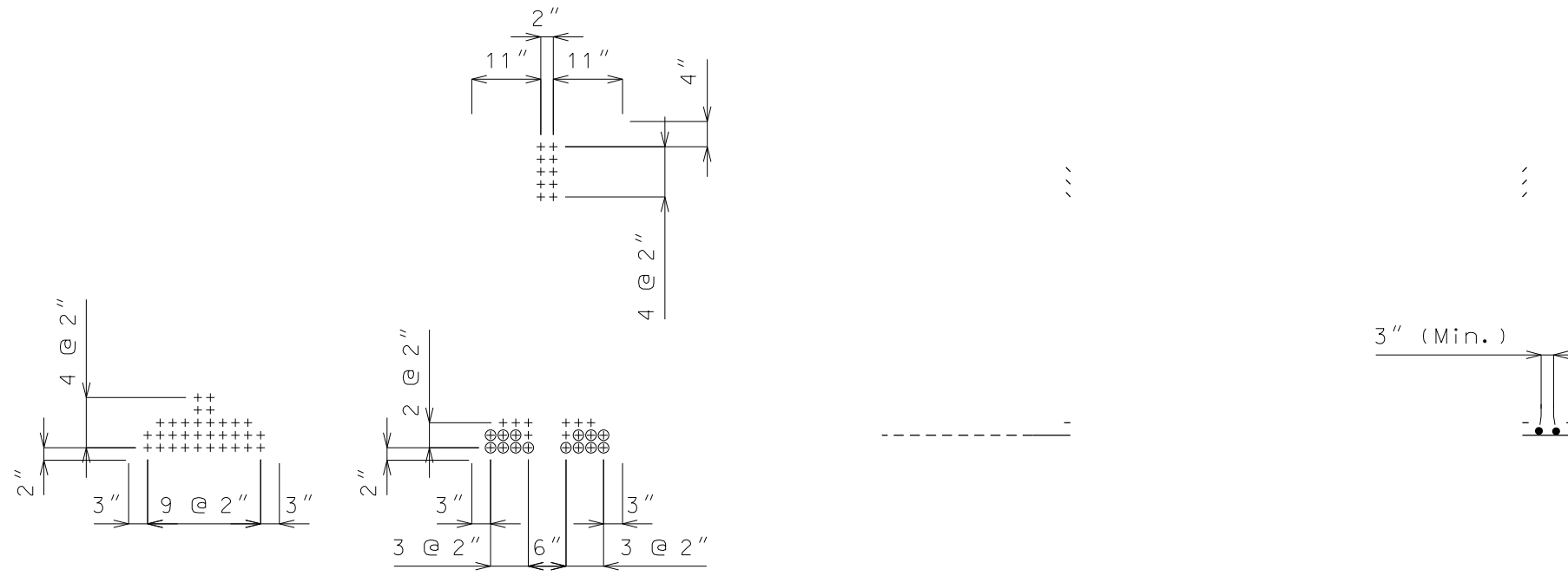


Type 6 Group 1 #8 (28 Strands)

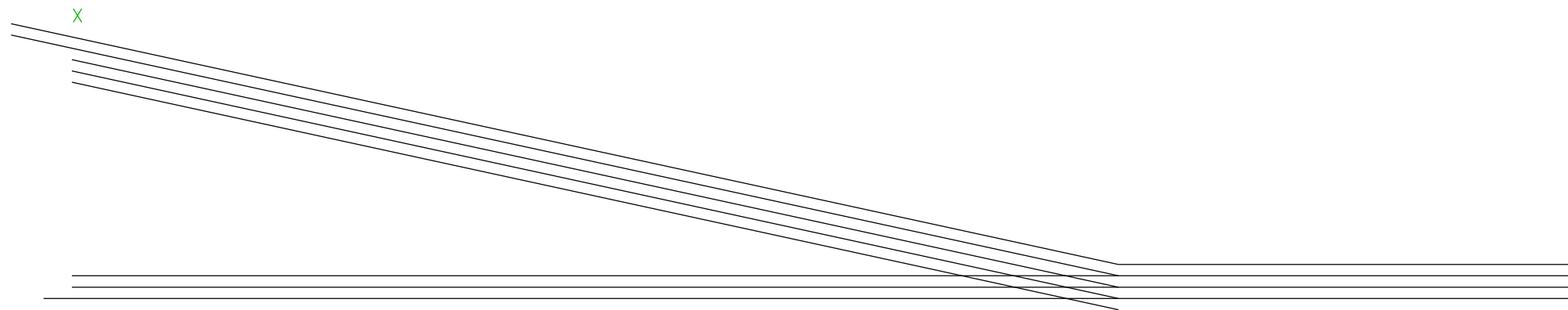
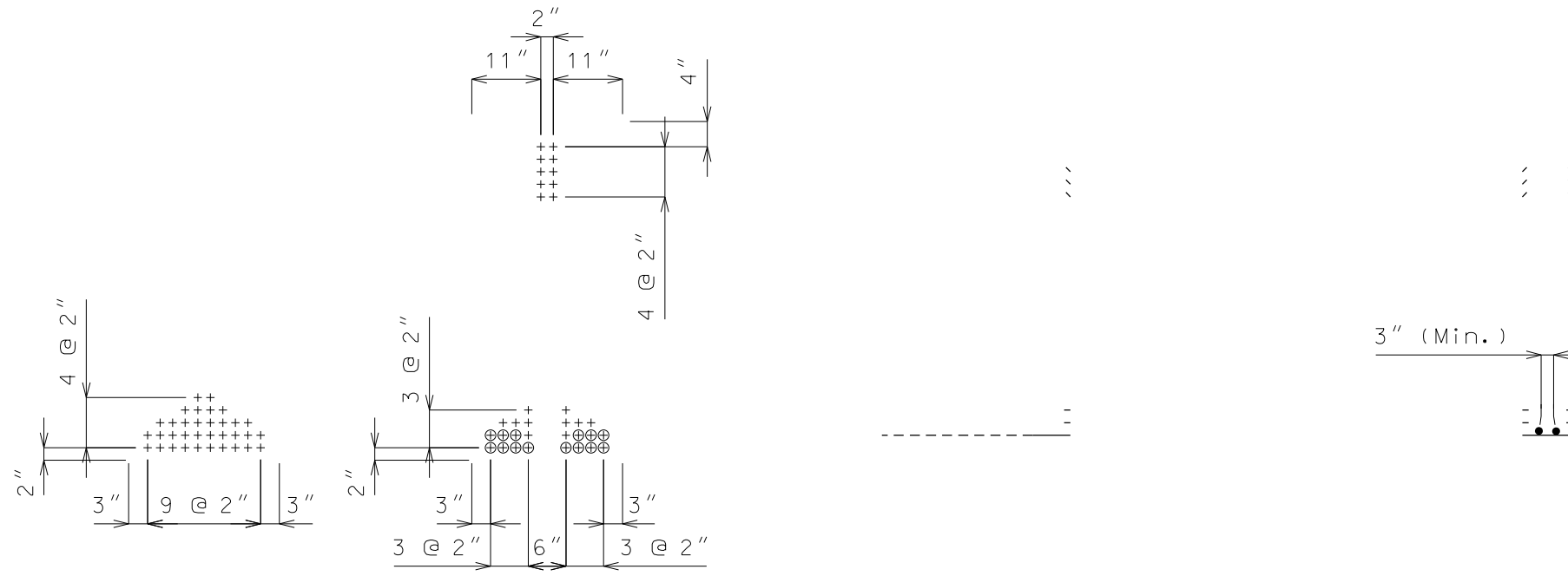




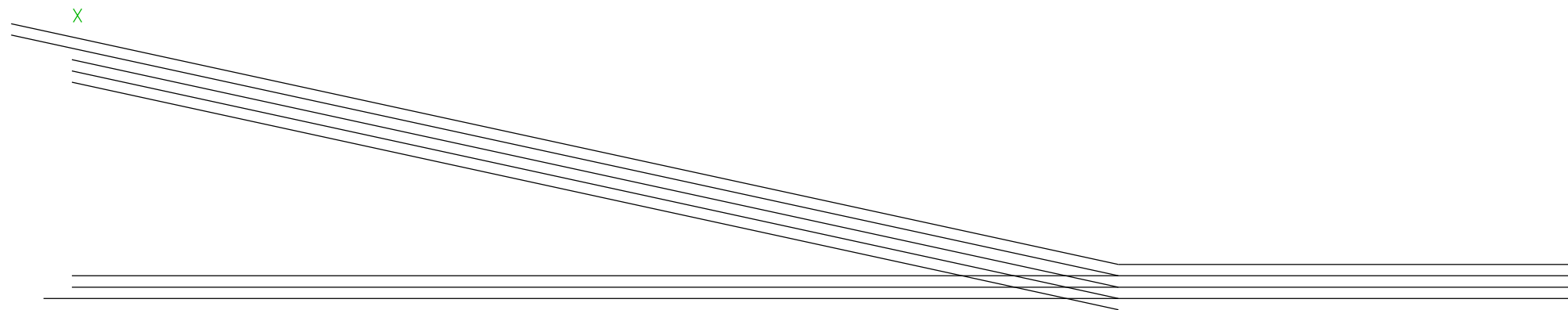
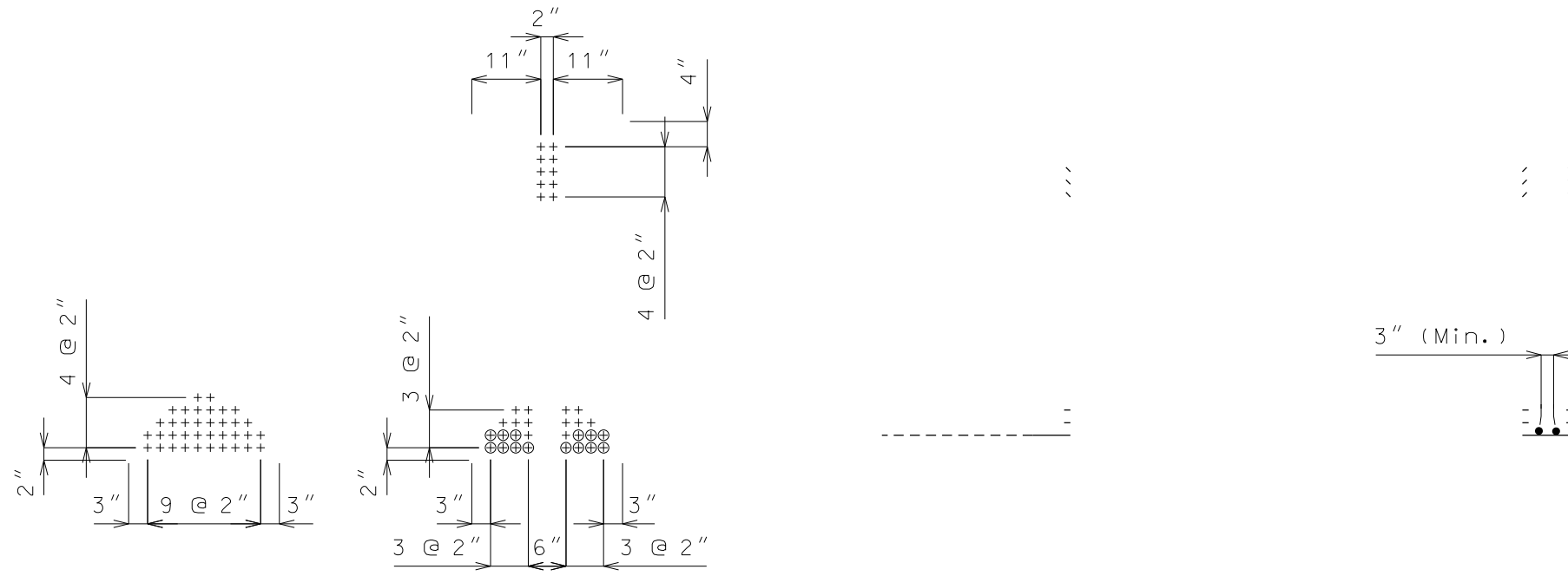
Type 6 Group 1 #9 (30 Strands)



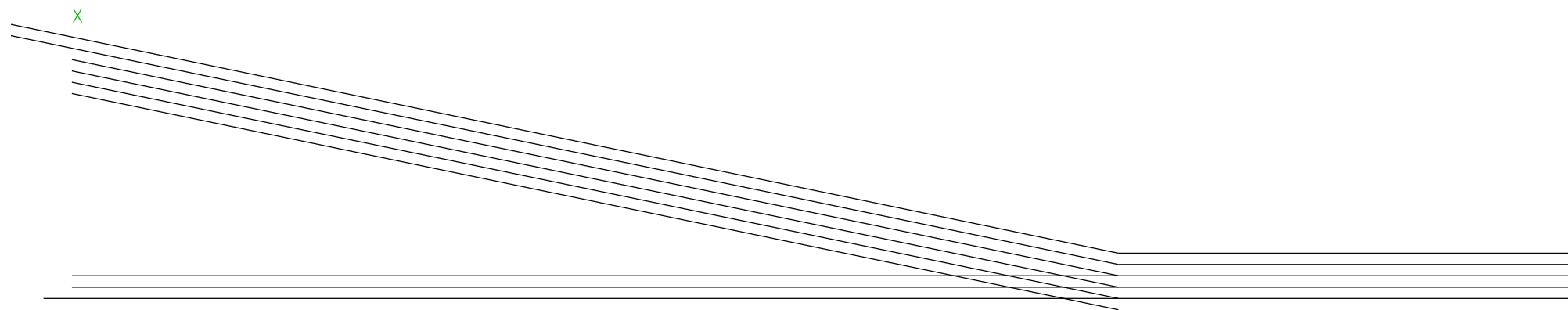
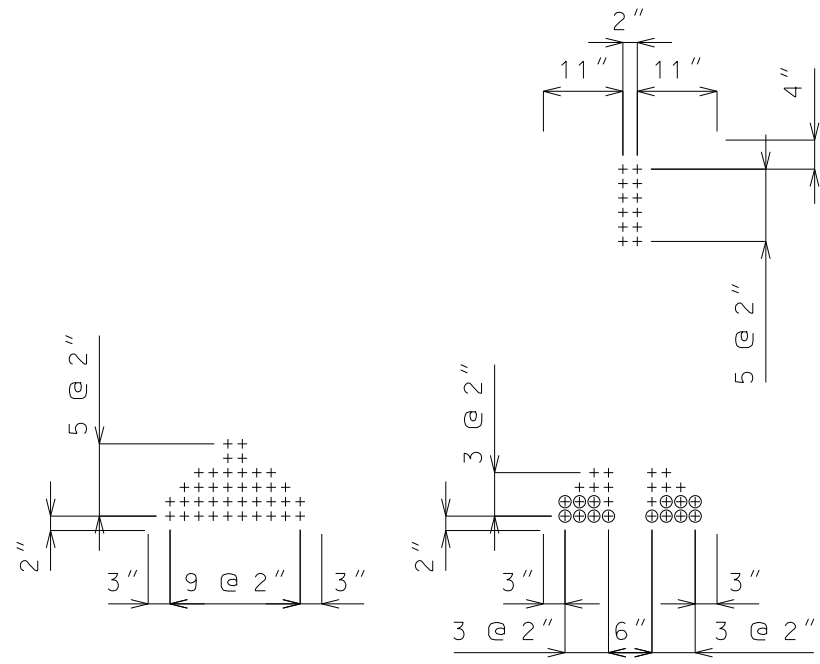
Type 6 Group 1 #10 (32 Strands)



Type 6 Group 1 #11 (34 Strands)



Type 6 Group 1 #12 (36 Strands)



Type 6 Group 1 #13 (38 Strands)