

① Actual strand arrangement, bent up strands, and debonding (if any) is by design. Add or remove symbols and instructions as required. Strands may be placed continuously across beam (eliminating 4" space), but dimension to drain hole in Part Plan shall be revised to 10".

③ Revise size of A1 & A2 bars if required by design.

Splices shown only when necessary (girder length > 60'-2"). Use 2'-1" lap for #4 & 2'-7" lap for #5.

When lap is unnecessary:
 - Delete grouped elements.
 - Extend A bars to $\bar{\ell}$ Beam.
 - Revise 10 to 5 A1 bars & 8 to 4 A2 bars.

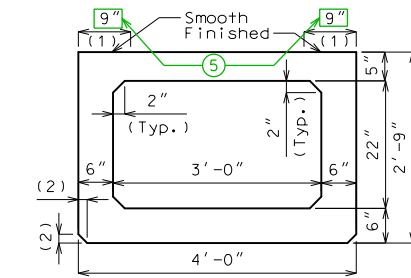
④ Interior diaphragm & vent pipe shall be shown only when necessary (when structure may be submerged).

When not necessary:
 - Delete the two grouped elements.
 - In Half Elev., extend hidden lines to $\bar{\ell}$ Beam.
 - In Part Plan, revise remaining dimension to full length of void.

⑤ Revise minimum dimension if required by design.

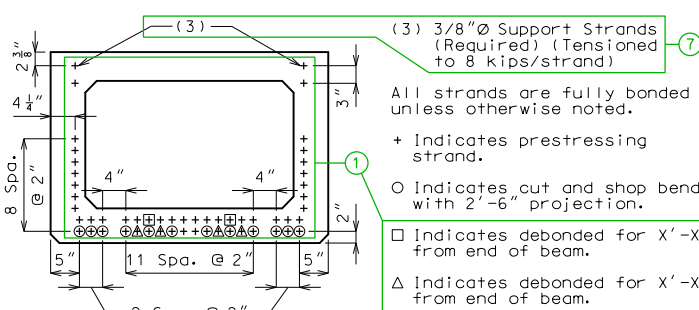
⑥ By design. Typically 30.98 kips per 0.5" strand & 43.94 kips per 0.6" strand, rounded to nearest whole kip.

⑦ Remove this note if top strands are included in strand arrangement by design.

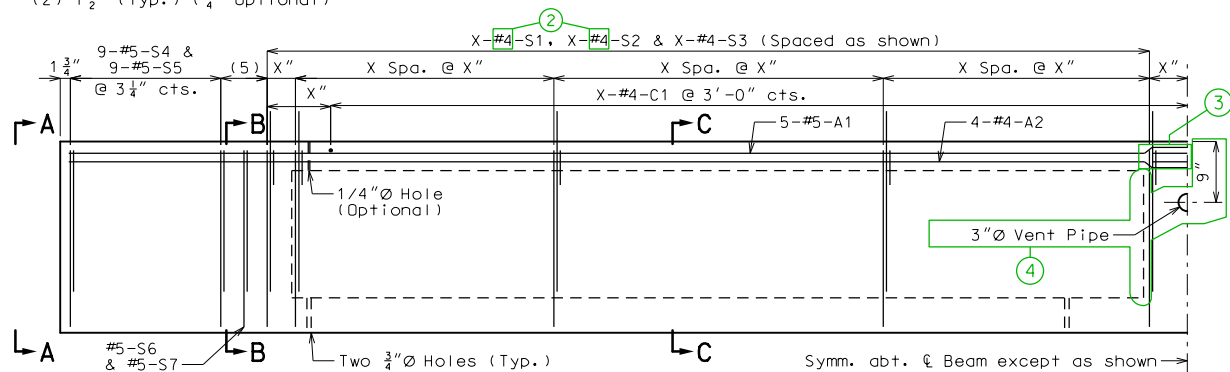


(1) Fabricator shall apply a bond breaker to this region excluding where joint filler will be applied.

(2) 1 1/2" (Typ.) (3/4" Optional)

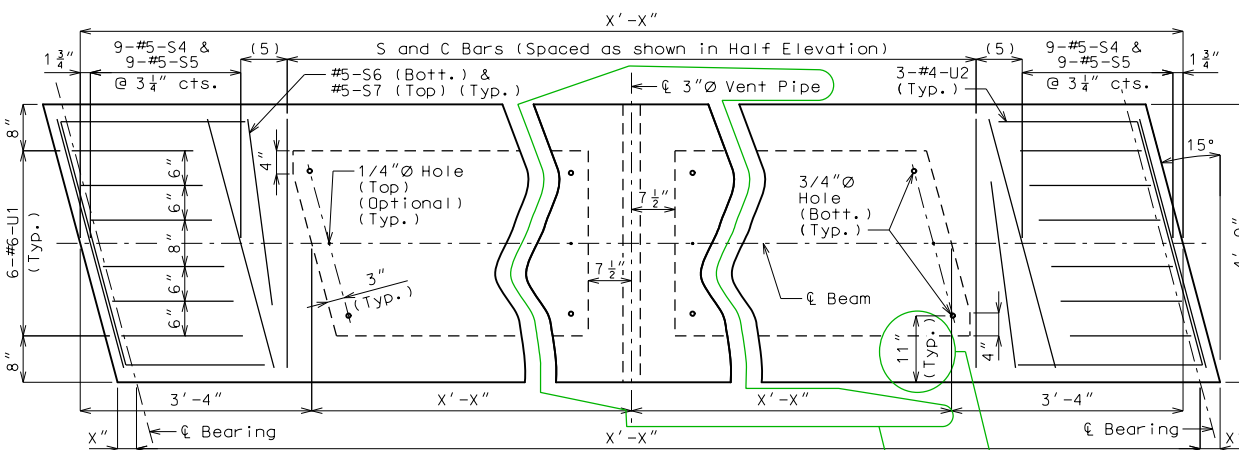


STRAND ARRANGEMENT

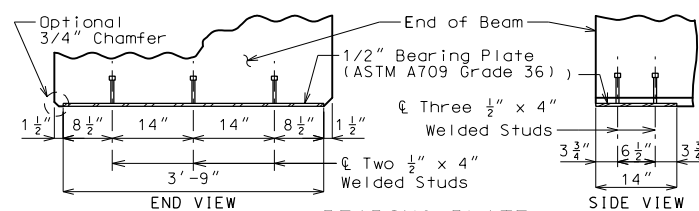


HALF ELEVATION
 Dimensions taken along $\bar{\ell}$ Beam.

(5) 2 Spa. @ 4"



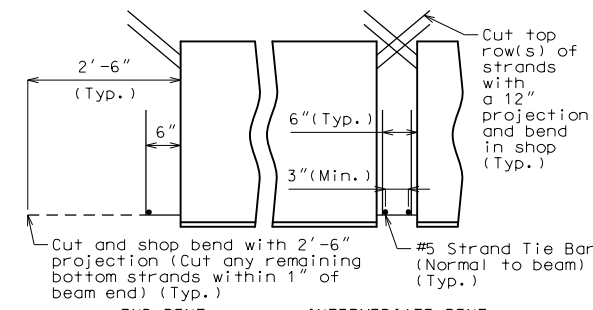
PART PLAN
 Mirror about $\bar{\ell}$ Beam for left advanced.



BEARING PLATE

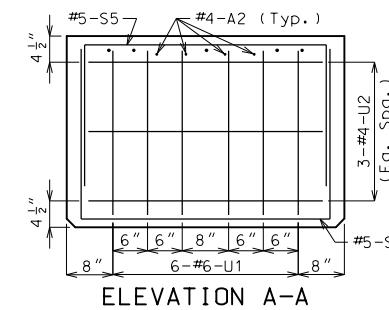
SPREAD BOX BEAMS - SPANS (X-X) AND (X-X)

Note: This drawing is not to scale. Follow dimensions.

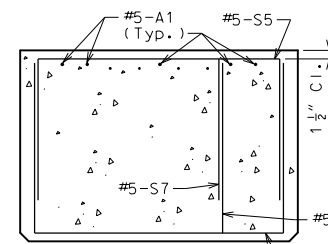


STRANDS AT BEAM ENDS

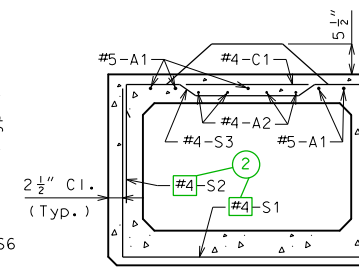
Strands not shown for clarity.



ELEVATION A-A

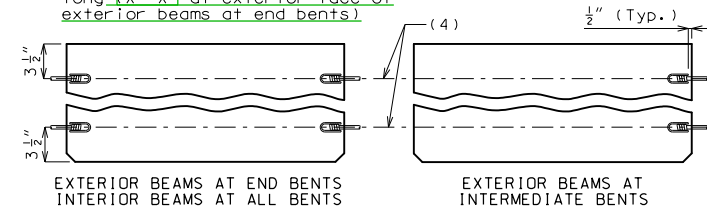


SECTION B-B
 Mirror for left advanced.



SECTION C-C

(4) $\bar{\ell}$ 3/4" (Min.) Coil Tie Rods 2'-6" long (X'-X) at exterior face of exterior beams at end bents



COIL TIES

BILL OF REINFORCING STEEL - EACH BEAM									
NO.	SIZE & MARK	ACTUAL LENGTH	SHAPE	BENDING DIAGRAM					
10	5 A1	X'-X"	20	(S1) 3'-7"	(S5) 3'-8 1/2"				
8	4 A2	X'-X"	20	(S4) 3'-8 1/2"	(S7) 2'-8 1/2"				
				(S6) 2'-8 1/2"	(S7) 2'-8 1/2"				
X	4 C1	3'-7"	20	SHAPE 10					
X	4 S1	8'-5"	10	SHAPE 10					
X	4 S2	7'-10"	51	SHAPE 21					
X	4 S3	4'-6"	50	SHAPE 20					
18	5 S4	8'-6"	10	SHAPE 50					
18	5 S5	7'-6"	10	SHAPE 51					
2	5 S6	7'-6"	10						
2	5 S7	6'-6"	10						
12	6 U1	5'-7"	10						
6	4 U2	8'-4"	21						

All dimensions are out to out. Use symmetry for dimensions not shown.

Hooks and bends shall be in accordance with the CRSI Manual of Standard Practice for Detailing Reinforced Concrete Structures, Stirrup and Tie Dimensions.

Actual lengths are measured along centerline of bar to the nearest inch.

Minimum clearance to reinforcing shall be 1", unless otherwise shown.

All reinforcement shall be Grade 60.

All S2 bars shall be epoxy coated.

General Notes:

Concrete for prestressed beams shall be Class A-1 with $f'c =$ psi and $f'ci =$ psi.

Use $\bar{\ell}$ Grade 270 strands with an initial prestress force of kips.

Pretensioned members shall be in accordance with Sec 1029.

Fabricator shall be responsible for location and design of lifting devices.

Exterior and interior beams are the same except: coil ties, application of bond breakers, coil inserts for slab drains.

For Beam Camber Diagram, see Sheet No. ...

For location of coil inserts at slab drains, see Sheet No. ...

For location of coil ties at concrete bent diaphragms, see Sheets No. __ and __.

DATE PREPARED: 11/3/2021

ROUTE: BR DISTRICT: MO SHEET NO. *

COUNTY: * JOB NO. * CONTRACT ID. PROJECT NO. BRIDGE NO. PSBxB08

DESCRIPTION: MISSOURI HIGHWAYS AND TRANSPORTATION COMMISSION

DATE: MISSOURI HIGHWAYS AND TRANSPORTATION COMMISSION

105 WEST CAPITAL JEFFERSON CITY, MO 65102 1-888-ASK-MDDOT (1-888-275-6636)

IF A SEAL IS PRESENT ON THIS SHEET IT HAS BEEN ELECTRONICALLY SEALED AND DATED.