

(+) Indicates prestressing strand.
Use strands with an initial prestress force of kips.
* Beam top flange shall be steel troweled to a smooth finish for (9) at the edges, as shown. Apply two layers of 30-lb roofing felt as a bond breaker to this region only excluding where joint filler is applied. The center portion shall be rough finished by scarifying the surface transversely with a wire brush, and no laitance shall remain on the surface.

Table of Strand Instructions

+	Cut and shop bend with 2'-6" projection. **
+	Strands debonded for X'-X" from end of beam
+	Strands debonded for X'-X" from end of beam

All strands are fully bonded unless otherwise noted.
** At the contractor's option the location for bent-up strands may be varied from that shown. The total number of bent-up strands shall not be changed. One strand tie bar is required for each layer of bent-up strands except at end bents which require one bar on the bottom layer of strands only. No additional payment will be made if additional strand tie bars are required.

BILL OF REINFORCING STEEL - EACH BEAM

NO.	SIZE & MARK	ACTUAL LENGTH	SHAPE
X 5	A1	X'-X"	20
X 4	A2	X'-X"	20
X 4	C1	3'-7"	20
X 4	S1	9'-6"	10
X 4	S2	8'-8"	10
X 4	S3	8'-9"	50
X 5	S4	4'-6"	51
X 6	U1	6'-2"	10
X 4	U2	7'-4"	10

BENDING DIAGRAM

SHAPE 20
3'-7"
2'-7 1/2"

SHAPE 10 (S2)
3'-7"
2'-11 1/2"

SHAPE 10 (S1)
21"
2'-11 1/2"

SHAPE 51 (S4)
4"
21"
4"
7"
7"
6"
2'-7 1/2"

SHAPE 50 (S3)
10"
2'-7 1/2"
18"
2 1/2"
2 1/2"
2'-7 1/2"

SHAPE 10 (U1)
21"
2'-11 1/2"

SHAPE 10 (U2)
3'-6"
2'-0"

All dimensions are out to out.
Hooks and bends shall be in accordance with the CRSI Manual of Standard Practice for Detailing Reinforced Concrete Structures, Stirrup and Tie Dimensions.
Actual lengths are measured along centerline of bar to the nearest inch.
Minimum clearance to reinforcing shall be 1", unless otherwise shown.
All reinforcement shall be Grade 60.
All S4 bars shall be epoxy coated.

General Notes:
Concrete for prestressed beams shall be Class A-1 with f'c = 8,000 psi and f'ci = 6,500 psi.
Prestressing tendons shall be uncoated, seven-wire, low-relaxation strands, 0.6 inch diameter conforming to AASHTO M203, Grade 270. Prestensioned members shall be in accordance with Sec 1029.
For Beam Camber Diagram, see Sheet No. .
For location of coil inserts at slab drains, see Sheet No. .
3/4" Ø drain holes shall be provided at each end of each void, and shall be kept open at all times.
Beams shall be kept upright at all times. Support shall be within 12 inches of the ends only.
Void filler shall be non-absorptive cellular polystyrene, according to ASTM C 578, designed to withstand the forces imposed upon them during fabrication without substantial deformation such as bulging, sagging, or collapsing. Cardboard void filler will not be allowed. The outside dimensions of void filler shall be as shown on the plans. When two or more sections of void filler are used to make up a required length, they shall be effectively taped or spliced together.
Beams shall be finished similarly in accordance with Sec 1029, except as noted.
Work with sheet with Sheet No. .

"THIS MEDIA SHOULD NOT BE CONSIDERED A CERTIFIED DOCUMENT."
DATE PREPARED: 2/28/2020
ROUTE: * STATE: MO
DISTRICT: BR SHEET NO. *
COUNTY: *
JOB NO. *
CONTRACT NO. *
PROJECT NO. *
BRIDGE NO. PSBXB 1-39
DESCRIPTION: *
DATE: *
MISSOURI HIGHWAYS AND TRANSPORTATION COMMISSION
105 WEST CAPITOL JEFFERSON CITY, MO 65102 1-888-ASK-MODOT (1-888-7275-6636)

BILL OF REINFORCING STEEL - EACH BEAM

NO.	SIZE & MARK	ACTUAL LENGTH	SHAPE
X 5	A1	XX'-X"	20
X 4	A2	XX'-X"	20
X 4	C1	3'-7"	20
X 4	S1	9'-6"	52
X 4	S2	8'-8"	10
X 4	S3	8'-9"	50
X 5	S4	4'-6"	51
X 4	S5	6'-1"	19
X 4	S6	5'-8"	19
X 6	U1	6'-2"	10
X 4	U2	X'-X"	21

BENDING DIAGRAM

SHAPE 20
3'-7"
2'-7 1/2"

SHAPE 10 (S2)
3'-7"
2'-11 1/2"

SHAPE 10 (U1)
21"
2'-11 1/2"

SHAPE 10 (S1)
21"
2'-11 1/2"

SHAPE 51 (S4)
4"
21"
4"
7"
7"
6"
2'-7 1/2"

SHAPE 50 (S3)
10"
2'-7 1/2"
18"
2 1/2"
2 1/2"
2'-7 1/2"

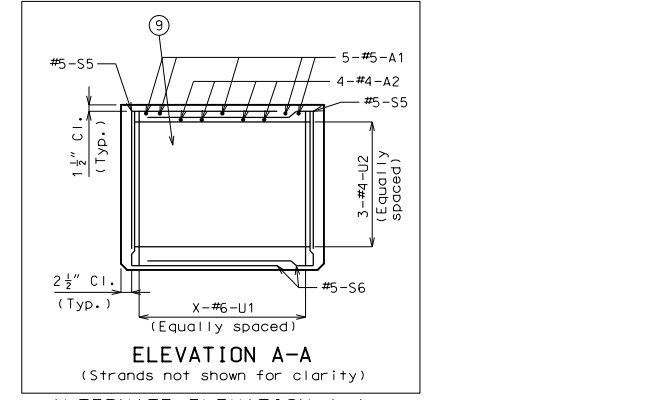
SHAPE 10 (U1)
21"
2'-11 1/2"

SHAPE 10 (U2)
3'-6"
2'-0"

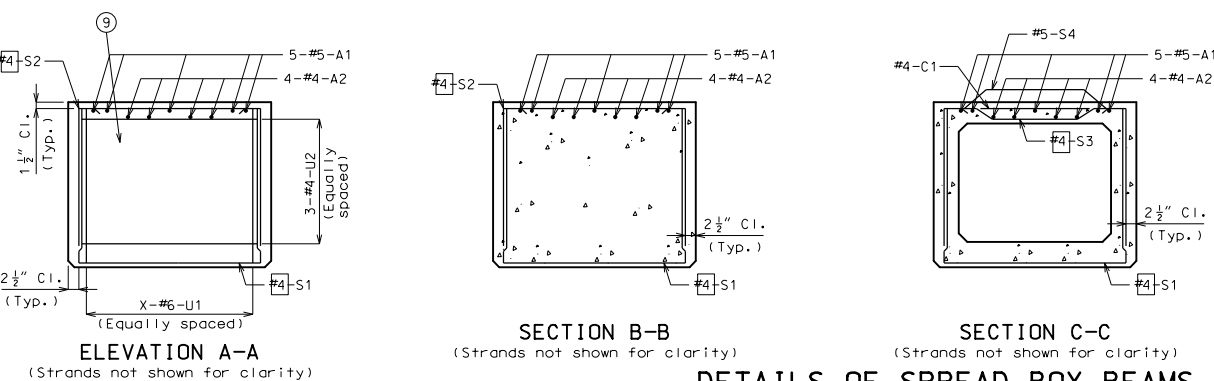
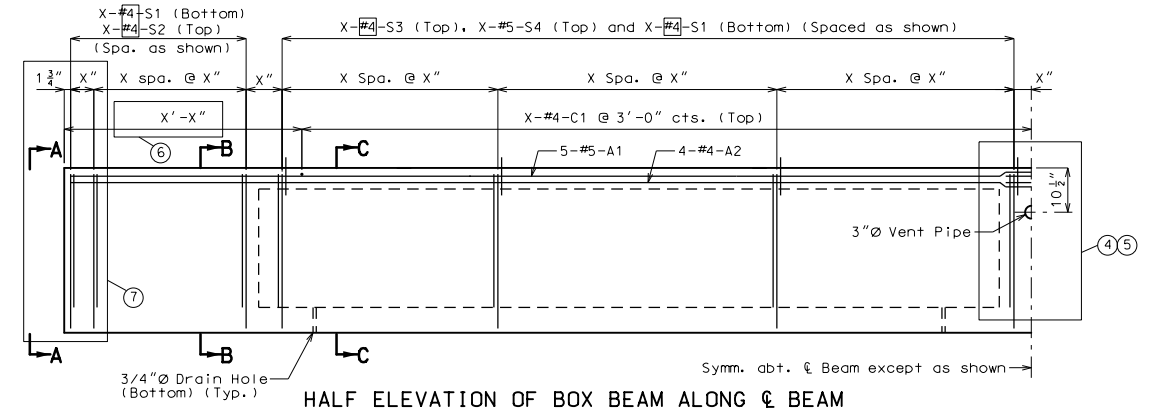
SHAPE 19 (S5)
3'-2"
3'-0 1/2"

SHAPE 19 (S6)
2'-7 1/2"
3'-2"

SHAPE 21 (U2)
X'-X"
2'-0"

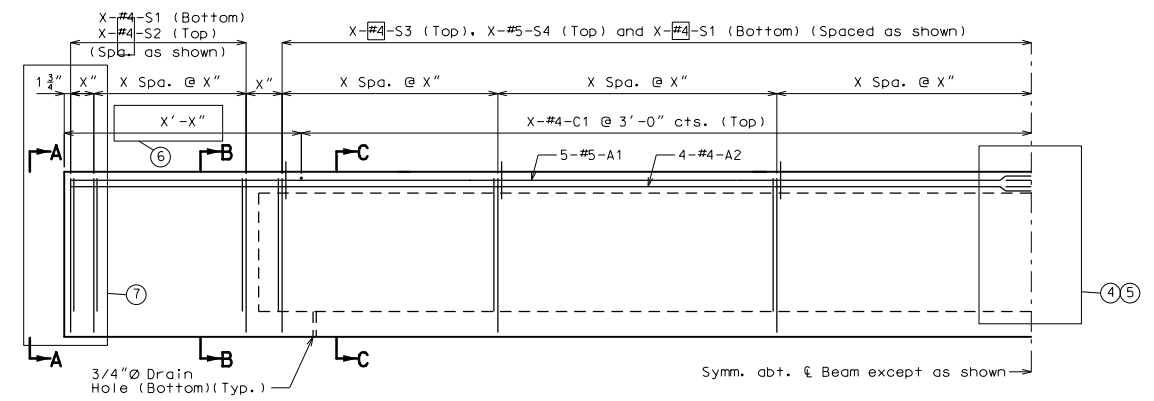


ALTERNATE ELEVATION A-A FOR BEAMS WITH SKEWED ENDS (SHOWING S5 & S6)



DETAILS OF SPREAD BOX BEAMS SPANS (X-X) AND (X-X)

Note: This drawing is not to scale. Follow dimensions. Sheet No. of



HALF ELEVATION OF BOX BEAM ALONG C BEAM
Exterior and interior box beams are the same, except for coil ties and coil inserts for slab drains.

39 //