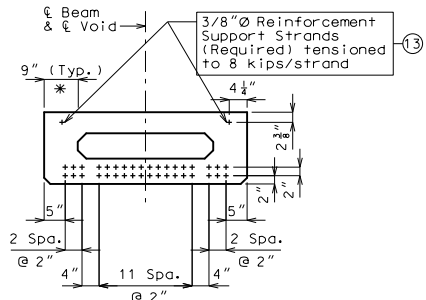


DIMENSIONS



STRAND ARRANGEMENT

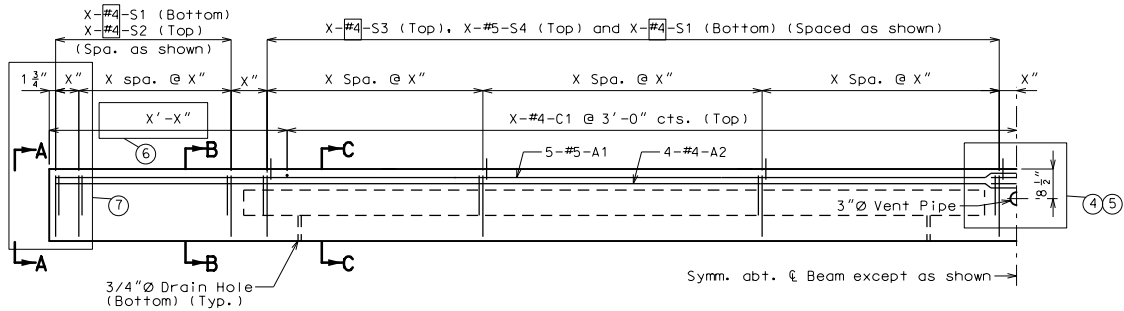
(+) Indicates prestressing strand.
 Use strands with an initial prestress force of \square kips.
 * Beam top flange shall be steel troweled to a smooth finish for \square at the edges, as shown. Apply two layers of 30-lb roofing felt as a bond breaker to this region only excluding where joint filler is applied. The center portion shall be rough finished by scarifying the surface transversely with a wire brush, and no laitance shall remain on the surface.

Table of Strand Instructions	
+	Cut and shop bend with 2'-0" projection. **
⊕	Strands debonded for X'-X" from end of beam
⊗	Strands debonded for X'-X" from end of beam

All strands are fully bonded unless otherwise noted.
 ** At the contractor's option the location for bent-up strands may be varied from that shown. The total number of bent-up strands shall not be changed. One strand tie bar is required for each layer of bent-up strands except at end bents which require one bar on the bottom layer of strands only. No additional payment will be made if additional strand tie bars are required.

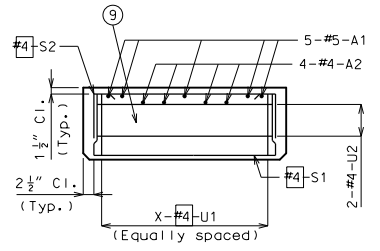
BILL OF REINFORCING STEEL - EACH BEAM			
NO.	SIZE & MARK	ACTUAL LENGTH	SHAPE
X	5 A1	X'-X"	20
X	4 A2	X'-X"	20
X	4 C1	3'-7"	20
X	4 S1	6'-5"	52
X	4 S2	5'-9"	10
X	4 S3	5'-10"	50
X	5 S4	4'-6"	51
X	4 U1	4'-6"	10
X	4 U2	7'-4"	10

All dimensions are out to out.
 Hooks and bends shall be in accordance with the CRSI Manual of Standard Practice for Detailing Reinforced Concrete Structures, Stirrup and Tie Dimensions.
 Actual lengths are measured along centerline of bar to the nearest inch.
 Minimum clearance to reinforcing shall be 1", unless otherwise shown.
 All reinforcement shall be Grade 60.
 All S4 bars shall be epoxy coated.



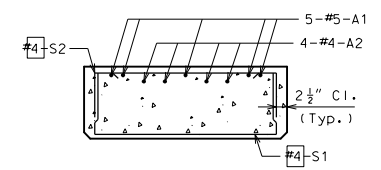
HALF ELEVATION OF BOX BEAM ALONG & BEAM

Exterior and interior box beams are the same, except for coil ties and coil inserts for slab drains.



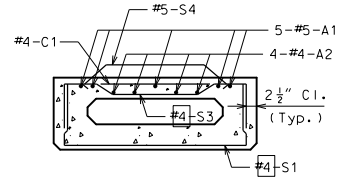
ELEVATION A-A

(Strands not shown for clarity)



SECTION B-B

(Strands not shown for clarity)

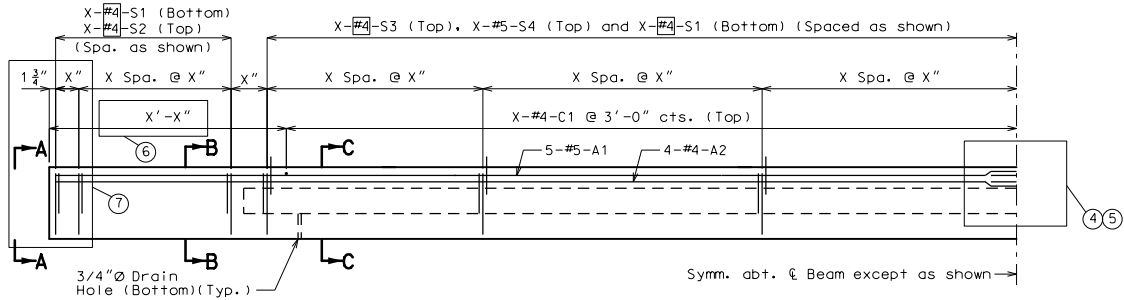


SECTION C-C

(Strands not shown for clarity)

DETAILS OF SPREAD BOX BEAMS SPANS (X-X) AND (X-X)

Note: This drawing is not to scale. Follow dimensions. Sheet No. of



HALF ELEVATION OF BOX BEAM ALONG & BEAM

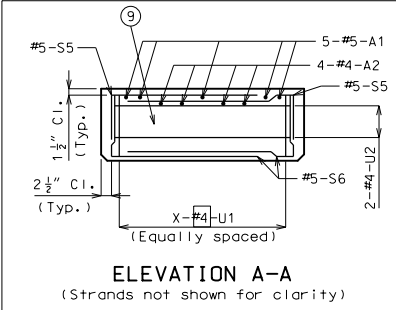
Exterior and interior box beams are the same, except for coil ties and coil inserts for slab drains.

DATE PREPARED 2/28/2020	
ROUTE BR	STATE MO
DISTRICT BR	SHEET NO. *
COUNTY *	
JOB NO. *	
CONTRACT ID.	
PROJECT NO.	
BRIDGE NO. PSBxB 1-17	
DESCRIPTION	DATE

MISSOURI HIGHWAYS AND TRANSPORTATION COMMISSION
 MODOT
 105 WEST CAPITOL
 JEFFERSON CITY, MO 65102
 1-888-ASK-MODOT (1-888-275-6636)

IF A SEAL IS PRESENT ON THIS SHEET IT HAS BEEN ELECTRONICALLY SEALED AND DATED.

BILL OF REINFORCING STEEL - EACH BEAM			
NO.	SIZE & MARK	ACTUAL LENGTH	SHAPE
X	5 A1	XX'-X"	20
X	4 A2	XX'-X"	20
X	4 C1	3'-7"	20
X	4 S1	6'-5"	52
X	4 S2	5'-9"	10
X	4 S3	5'-10"	50
X	5 S4	4'-6"	51
X	4 S5	4'-3"	19
X	4 S6	4'-3"	19
X	4 U1	4'-6"	10
X	4 U2	X'-X"	21



ELEVATION A-A

(Strands not shown for clarity)
ALTERNATE ELEVATION A-A FOR BEAMS WITH SKEWED ENDS (SHOWING S5 & S6)

17 //

Detailed Checked