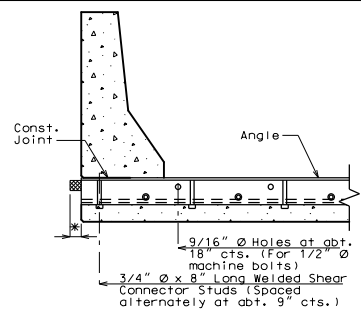
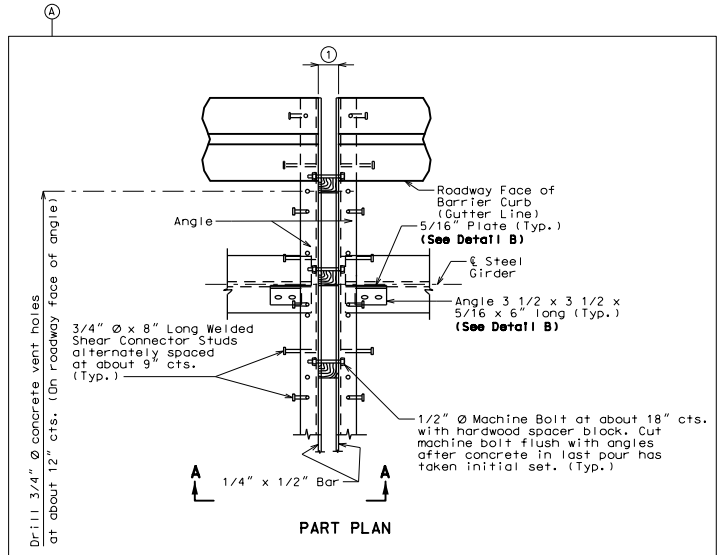


PART SECTION A-A

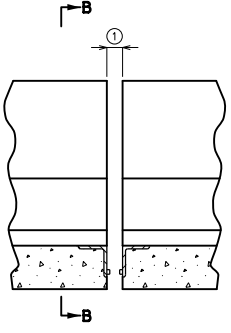


PART SECTION B-B

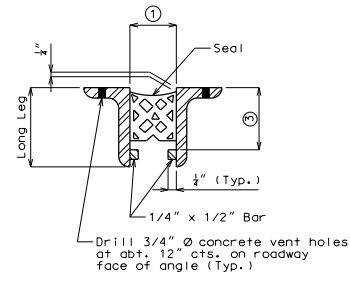
* Extend preformed compression seal 3" past the edge of slab (Typ.)



PART PLAN



PART ELEVATION OF BARRIER CURB



PART CROSS SECTION THRU EXPANSION JOINT

Table of Transverse Preformed Compression Seal Expansion Joint System Dimensions

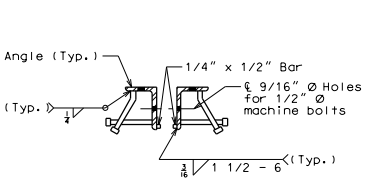
Seal Width Perpendicular to Joint	Movement Capacity (± to Joint)	Min. Joint Width (± to Joint)	Max. Joint Width (± to Joint)	Allowed Installation Gap Normal to Joint at RDWY Surface @ Air/Surface Temperature				④	
				① @ 40°F	① @ 50°F	① @ 60°F	① @ 70°F		
2.25"	Manufacturer's Recommended Height	0.90"	1.01"	1.91"	XXX	XXX	XXX	XXX	□
2.5"	Manufacturer's Recommended Height	1.00"	1.13"	2.13"	XXX	XXX	XXX	XXX	□
3.0"	Manufacturer's Recommended Height	1.20"	1.34"	2.55"	XXX	XXX	XXX	XXX	□
3.5"	Manufacturer's Recommended Height	1.40"	1.58"	2.98"	XXX	XXX	XXX	XXX	□
4.0"	Manufacturer's Recommended Height	1.65"	1.75"	3.40"	XXX	XXX	XXX	XXX	□
4.5"	Manufacturer's Recommended Height	1.80"	2.03"	3.83"	XXX	XXX	XXX	XXX	□

Note: Depth of seal shall not be less than width of seal.

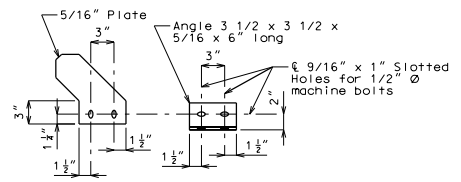
Size of armor angle: Vertical leg of angle shall be a minimum of Manufacturer's Recommended Height ③ + 3/4". Horizontal leg of angle shall be a minimum of 3". Minimum thickness of angle shall be 1/2".

② The installation temperature shall be taken as the actual air temperature averaged over the 24-hour period immediately preceding installation.

④ MoDOT Construction personnel will indicate the preformed compression seal expansion joint system installed.



DETAIL A



DETAIL B

DETAILS OF PREFORMED COMPRESSION SEAL EXPANSION JOINT SYSTEM AT INTERMEDIATE BENT NO.

Detailed

Checked

Note: This drawing is not to scale. Follow dimensions.

Sheet No. of

PCSEJ.dgn 12:04:29 PM 5/17/2018

STANDARD DRAWING GUIDANCE (do not show on plans):

For slab thickness < 8 1/2", check shear connector stud length for clearance to flange or diaphragm and adjust length as necessary. See Structural Project Manager.

Remove non-applicable rows in table.

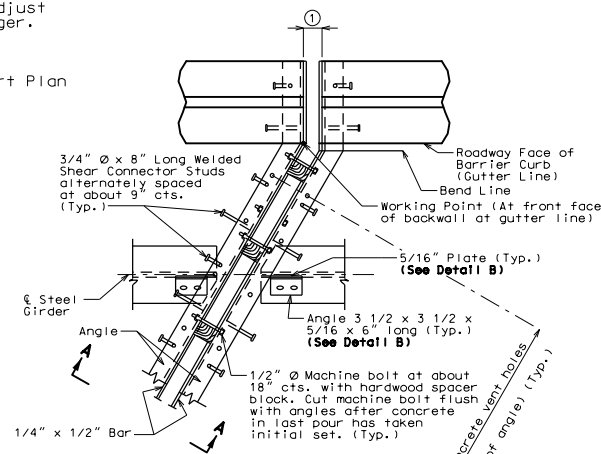
Ⓐ Use squared, left advanced or right advanced Part Plan as needed.

Ⓑ = 3/4" (Min.) @ 60° Verify only.

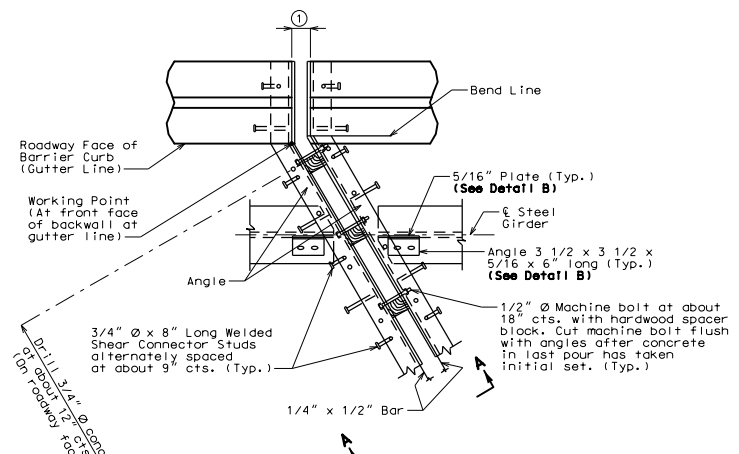
Ⓒ = ① @ 60° + 2 x 3/4" (Min.) Verify only.

Left Advanced

Right Advanced



PART PLAN



PART PLAN

THIS MEDIA SHOULD NOT BE CONSIDERED A CERTIFIED DOCUMENT.

DATE PREPARED: 5/17/2018

ROUTE: * STATE: MO

DISTRICT: * SHEET NO.: BR * COUNTY: *

JOB NO.: * CONTRACT ID.:

PROJECT NO.:

BRIDGE NO.: PCSEJ05

DESCRIPTION:

DATE:

MISSOURI HIGHWAYS AND TRANSPORTATION COMMISSION

105 WEST CAPITOL JEFFERSON CITY, MO 65102 1-888-ASK-MODOT (1-888-275-6651)

IF A SEAL IS PRESENT ON THIS SHEET, IT HAS BEEN ELECTRONICALLY SEALED AND DATED.