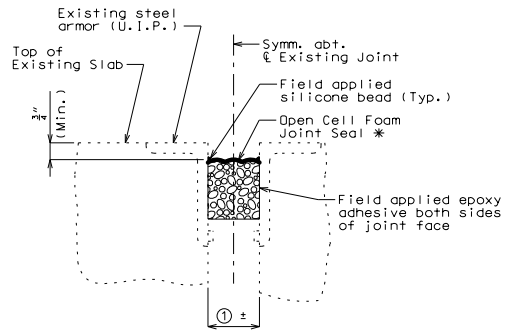


Alternate Details



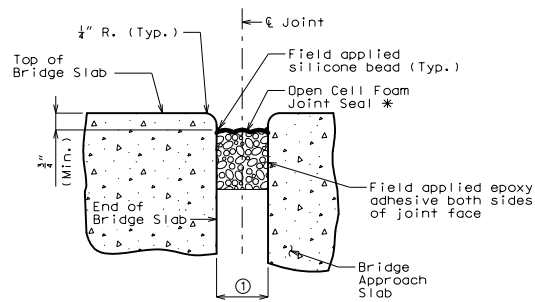
SECTION THRU EXPANSION JOINT AT NO. - -

SKEW = $_\circ$

* Manufacturer's recommended size

Extend open cell foam joint seal 3" past edges of slab.

With existing steel armor



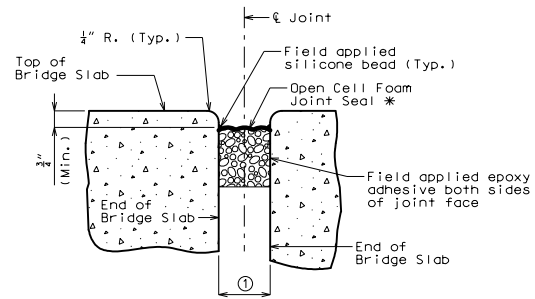
SECTION THRU EXPANSION JOINT AT ABUTMENT NO. -

SKEW = $_\circ$

* Manufacturer's recommended size

Extend open cell foam joint seal 3" past edges of slab.

Between slab and approach slab



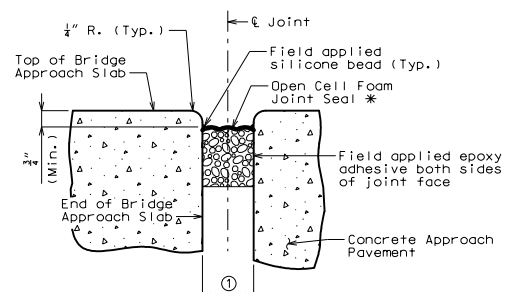
SECTION THRU EXPANSION JOINT AT BENT NO. -

SKEW = $_\circ$

* Manufacturer's recommended size

Extend open cell foam joint seal 3" past edges of slab.

Use for locations other than approach slab



SECTION THRU EXPANSION JOINT AT END OF BRIDGE APPROACH SLAB

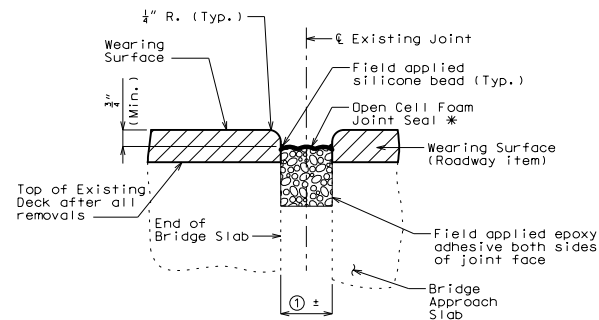
SKEW = $_\circ$

* Manufacturer's recommended size

Extend open cell foam joint seal full width of approach slab.

Between bridge approach slab and concrete approach pavement (Use only with approval of SPM or SLE)

OCFEJS-01 NEW: Aug. 2019



SECTION THRU EXPANSION JOINT AT ABUTMENT NO. -

SKEW = $_\circ$

* Manufacturer's recommended size

Extend open cell foam joint seal 3" past edges of slab.

Notes:

Open cell foam joint seal size (width and depth) shall be determined by the manufacturer. Manufacturer recommended seal size shall meet the movement and installation gap requirements and skew effect.

The open cell foam joint seal shall be installed according to the manufacturer's recommendations.

② The installation temperature shall be taken as the actual air temperature averaged over the 24-hour period immediately preceding installation.

③ MoDOT construction personnel will record the manufacturer and seal system (designated name) that was used.

"THIS MEDIA SHOULD NOT BE CONSIDERED A CERTIFIED DOCUMENT."

DATE PREPARED	8/30/2019
ROUTE	MO
DISTRICT	BR
COUNTY	*
JOB NO.	*
CONTRACT ID.	*
PROJECT NO.	
BRIDGE NO.	OCFEJS01

DESCRIPTION	DATE

MISSOURI HIGHWAYS AND TRANSPORTATION COMMISSION

105 WEST CAPITAL JEFFERSON CITY, MO 64573
1-888-ASK-MODOT (1-888-275-6636)

Movement Parallel to Rdwy	Movement Normal to Joint	Allowed Installation Gap						Manufacturer ③	Seal System ③ (Designated Name)
		① Normal to Joint at Roadway Surface @ Air/Surface Temperature ②							
		@ 40°F	@ 50°F	@ 60°F	@ 70°F	@ 80°F	@ 90°F		
xxx	xxx	xxx	xxx	xxx	xxx	xxx	xxx		

DETAILS OF OPEN CELL FOAM EXPANSION JOINT SEAL AT NO. - -

Detailed Checked

Note: This drawing is not to scale. Follow dimensions.

Sheet No. of

IF A SEAL IS PRESENT ON THIS SHEET IT HAS BEEN ELECTRONICALLY SEALED AND DATED.

REV.