



BARRIER WALL DELINEATORS MGS 06-02B

1.0 DESCRIPTION. This specification covers barrier wall delineators

2.0 MATERIALS.

2.1 Delineator Body. The delineator shall be manufactured from a white, high impact, weather-resistant plastic, extruded as a single piece.

2.2 Dimensions. The thickness of the body of the delineators shall be minimum of 0.08 inches. The length and width of the delineator shall be in accordance with the drawing. Two one-quarter inch holes shall be provided in accordance with the attached drawing.

2.3 Sheeting. Retro-reflective sheeting meeting the latest version of ASTM D4956 Type 5 or 8 requirements shall be used. The sheeting shall nominally be 4 inches wide by 3 inches tall and placed on the delineator body as shown in the attached drawing. Sheeting may be placed on one or both sides of the delineator body per the following table. Reflective sheeting shall follow guidelines outlined in Section 1042.2.7 for correct application of sheeting to delineator body.

Delineator Description	Sheeting Color	
	Front Side	Back Side
Single White	White	NA
Single Yellow	Yellow	NA
White/ Red	White	Red
Yellow/ Red	Yellow	Red
White/ White	White	White
Yellow/ Yellow	Yellow	Yellow

3.0 ORDERING INFORMATION

3.1 The quantity and color of delineators is to be as shown in the order.

4.0 CERTIFICATION

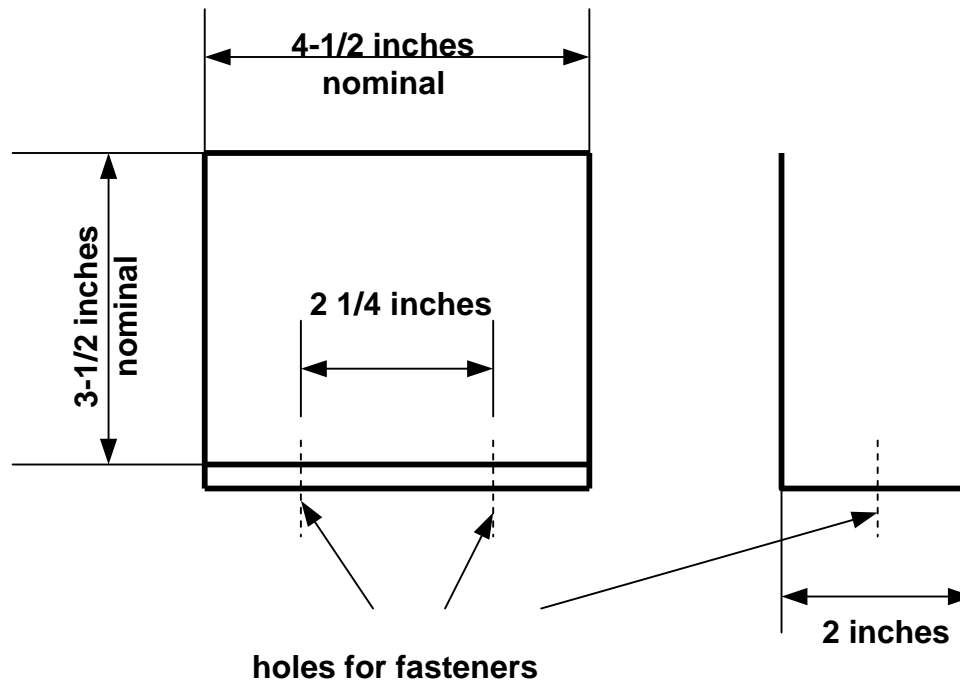
4.1 The bidder must supply sample delineators and certifications during the bidding process. Material certification sheets indicating the manufacturer, color and series number of the reflective sheeting are required prior to award. One of each delineator color combination listed on the bid request must be submitted for review. Furnished samples must fully comply with the requirements of the specification prior to award. Failure to provide any of the requested information will remove the supplier from the bid process.

5.0 ACCEPTANCE.

5.1 Acceptance will be based on acceptable certifications and results of tests performed on the samples taken by the department at destination. The department may sample and test delineators at any time.

6.0 REJECTION.

6.1 If tests performed by the department indicate non-compliance with the requirements of this specification, the entire shipment will be rejected.



Delineator to have a minimum of 2 primary holes spaced as shown above. If additional holes are provided they shall be “in line” parallel to the face of the delineator.

4 inch by 3 inch ASTM D4956 Type 5 or 8 sign sheeting applied to either or both faces

MoDOT Barrier Wall Delineators