

MISSOURI HIGHWAYS and TRANSPORTATION COMMISSION

JEFFERSON CITY, MISSOURI

**SUPPLEMENTAL PLANS TO JULY 2017 MISSOURI STANDARD
PLANS FOR HIGHWAY CONSTRUCTION**

EFFECTIVE >Ubi Ufm1, 201,

MISSOURI HIGHWAYS AND TRANSPORTATION COMMISSION

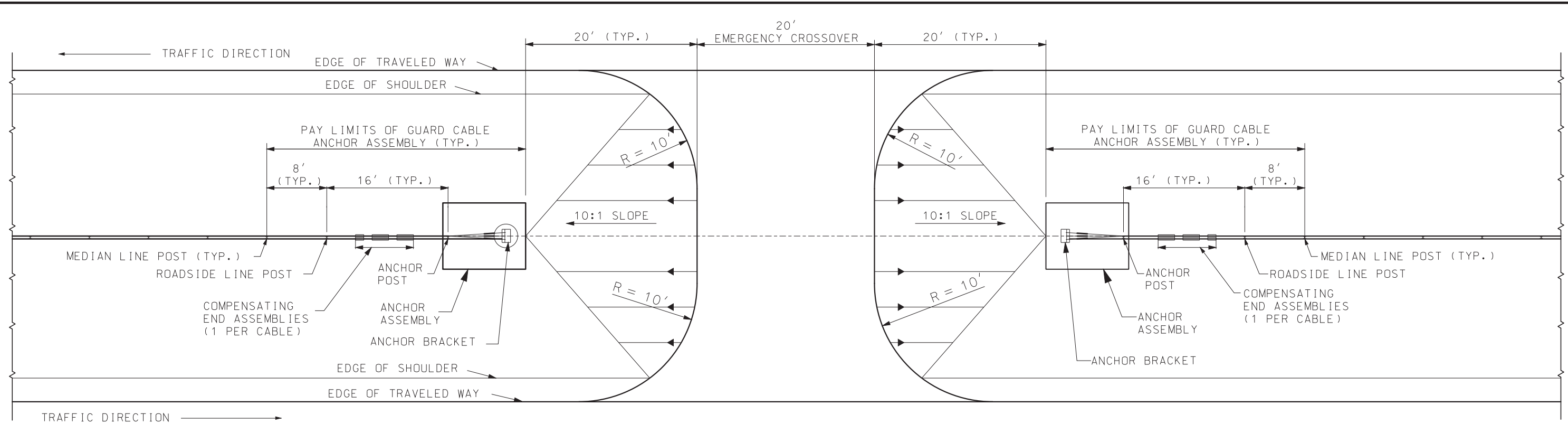
MISSOURI STANDARD PLANS FOR HIGHWAY CONSTRUCTION

TABLE OF CONTENTS

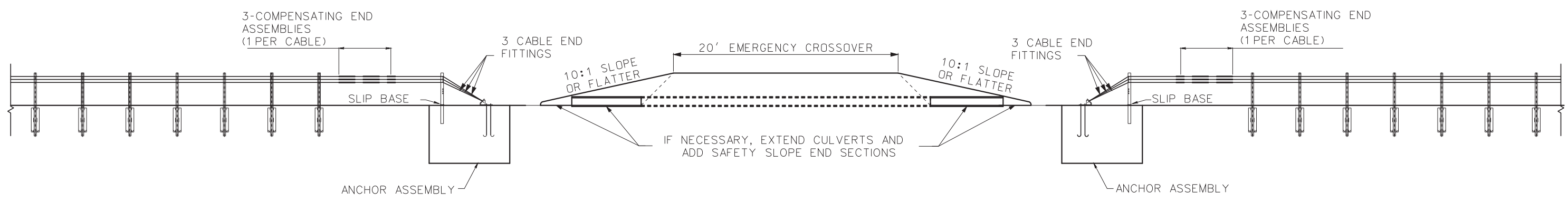
STANDARD NO.	DRAWING TITLE	NO. OF SHEETS	EFFECTIVE DATE	STANDARD NO.	DRAWING TITLE	NO. OF SHEETS	EFFECTIVE DATE	
203.00E	EXCAVATION AND EMBANKMENT - TYPICAL DETAILS	1	08/01/1998	606.60B	MIDWEST GUARDRAIL SYSTEM (MGS) - VERTICAL BARRIER TRNSITIONS	6	07/01/2017	
203.02F	UNDERGRADING - TYPICAL DETAILS	2	01/01/2004	606.70B	MIDWEST GUARDRAIL SYSTEM (MGS) - THRIE BEAM RAIL ON BRIDGE	5	07/01/2017	
203.10D	TABULATED EARTHWORK AND SECTION DATA	1	02/01/2009	606.80C	MIDWEST GUARDRAIL SYSTEM (MGS) - TERMINAL ANCHOR ENDS	7	07/01/2017	
203.20G	SUPERELEVATION, SPIRALS AND WIDENING (UNDIVIDED HIGHWAY)	4	07/01/2017	606.81	MASH - CRASHWORTHY END TERMINALS - TYPE A - GRADING LIMITS	1	01/01/2017	
203.21K	SUPERELEVATION, SPIRALS AND WIDENING (DIVIDED HIGHWAY)	3	07/01/2017	607.10V	CHAIN-LINK FENCE	1	02/01/2007	
203.22	SUPERELEVATION, SPIRALS AND WIDENING	2	07/01/2017	607.11H	CHAIN-LINK FENCE FOR RETAINING WALLS	1	06/01/2009	
203.35A	MAILBOX TURNOUTS	1	08/01/1981	607.20G	WOVEN WIRE FENCE	2	07/01/2016	
203.40G	TYPICAL DETAILS ON AND OFF RAMPS	2	10/01/2007	608.00H	PAVED APPROACHES	2	10/01/2009	
203.41F	TYPICAL DETAILS ON AND OFF RAMPS (ROADWAY WITH 6:1 FORESLOPE)	2	01/01/1995	608.10P	CONCRETE SIDEWALK	1	04/01/2015	
203.50N	TYPICAL MEDIAN OPENINGS (DIVIDED HIGHWAYS)	2	04/01/2016	608.20E	CONCRETE STAIRS	2	04/01/2015	
203.61A	DRIVEWAY - TYPE I	1	07/01/2004	608.30A	CONCRETE MEDIAN STRIP	1	02/01/2011	
203.62D	DRIVEWAY - TYPE II	2	04/01/2017	608.40	HANDRAILING	4	04/01/2015	
203.63B	DRIVEWAY - TYPE III	2	04/01/2017	608.50	CURB RAMPS	4	04/01/2015	
203.64D	DRIVEWAY - TYPE IV	2	04/01/2017	609.00P	CONCRETE CURB, CURB AND GUTTER AND GUTTER	2	08/01/2008	
203.65A	DRIVEWAY - TYPE V	1	10/01/1998	609.15D	PAVED DITCHES	1	07/01/2016	
204.00D	EMBANKMENT CONTROL - MEASURING DEVICES	1	04/01/1983	609.40S	DRAIN BASIN, SHOULDER PAVING AND FILL SLOPES AT BRIDGE ENDS	3	01/01/2017	
204.30	PORE PRESSURE MEASUREMENT DEVICES	1	03/01/1996	609.60C	ROCK DITCH LINER	1	03/01/1993	
401.00A	TYPE A2 AND A3 SHOULDERS	2	04/01/2009	609.70C	ROCK LINING FOR CULVERT OUTLET	1	10/01/1981	
413.20	SCRUB SEAL BROOM CONFIGURATION	1	07/01/2004	611.60R	CONCRETE SLOPE PROTECTION	1	07/01/2015	
502.05N	CONCRETE PAVEMENT AND BASE APPURTENANCES FOR 15 FT. JOINT SPACING	4	07/01/2015	612.20D	SAND FILLED IMPACT ATTENUATORS	1	08/01/2008	
502.10K	DOWEL SUPPORTING UNITS	2	06/01/2010	613.00S	PAVEMENT REPAIR	4	04/01/2017	
504.00J	CONCRETE APPROACH PAVEMENT	3	07/01/2015	614.10T	GRATES AND BEARING PLATES	1	12/01/2005	
602.00D	RIGHT-OF-WAY AND DRAIN MARKERS	2	01/01/2003	614.11C	CURVED VANE GRATE AND FRAME	1	06/01/2010	
604.05D	PIPE CULVERT HEADWALLS - TYPE S	2	08/01/2006	614.30E	MANHOLE FRAMES AND COVERS	2	03/01/1996	
604.10E	PIPE CULVERT HEADWALL - ENERGY DISSIPATOR FOR 18" CONCRETE PIPE	1	07/01/2001	616.10AU	TEMPORARY TRAFFIC CONTROL DEVICES	*	9	10/01/2017
604.11E	PIPE CULVERT HEADWALL - ENERGY DISSIPATOR FOR 24" CONCRETE PIPE	1	07/01/2001	617.10K	PERMANENT CONCRETE TRAFFIC BARRIER	*	11	07/01/2017
604.12E	PIPE CULVERT HEADWALL - ENERGY DISSIPATOR FOR 30" CONCRETE PIPE	1	07/01/2001	617.20D	TEMPORARY CONCRETE TRAFFIC BARRIER	*	8	10/01/2015
604.13E	PIPE CULVERT HEADWALL - ENERGY DISSIPATOR FOR 36" CONCRETE PIPE	1	07/01/2001	619.10J	PAVEMENT EDGE TREATMENT	*	1	10/01/2017
604.14E	PIPE CULVERT HEADWALL - ENERGY DISSIPATOR FOR 42" CONCRETE PIPE	1	07/01/2001	620.00L	PAVEMENT MARKING		5	10/01/2016
604.15E	PIPE CULVERT HEADWALL - ENERGY DISSIPATOR FOR 48" CONCRETE PIPE	1	07/01/2001	620.10G	TEMPORARY PAVEMENT MARKING		5	07/01/2017
604.29C	DROP INLET - TYPE X	2	04/01/1983	625.00	HOLE PATTERN FOR PAVEMENT SLAB STABILIZATION		1	10/01/1998
604.30G	CONCRETE MANHOLES	2	02/01/2009	626.00H	RUMBLE STRIPS		2	04/01/2009
604.40F	PIPE COLLARS	2	10/01/2000					
604.70	SLOTTED DRAIN	2	03/01/1994					
605.10I	PAVEMENT UNDERDRAINAGE	4	06/01/2013					
606.00AY	GUARDRAIL	7	01/01/2017					
606.01F	MEDIAN PIER PROTECTION	9	08/01/2012					
606.22U	BRIDGE ANCHOR SECTION - SAFETY BARRIER CURB ON BRIDGE	6	07/01/2016					
606.23J	BRIDGE ANCHOR SECTION (THRIE BEAM RAIL ON BRIDGE)	5	07/01/2016					
606.30K	GUARDRAIL - TERMINAL ANCHOR ENDS	7	04/01/2017					
606.31	CRASHWORTHY END TERMINALS - TYPE A - GRADING LIMITS	1	01/01/2017					
606.40D	ONE-STRAND ACCESS RESTRAINT CABLE	2	07/01/2004					
606.41L	THREE-STRAND GUARD CABLE	*	7	10/01/2017				
606.50C	MIDWEST GUARDRAIL SYSTEM (MGS)	8	07/01/2017					
606.51	MIDWEST GUARDRAIL SYSTEM (MGS) - MEDIAN PIER PROTECTION	*	2	10/01/2017				

MISSOURI HIGHWAYS AND TRANSPORTATION COMMISSIONMISSOURI STANDARD PLANS FOR HIGHWAY CONSTRUCTION
TABLE OF CONTENTS


STANDARD NO.	DRAWING TITLE	NO. OF SHEETS	EFFECTIVE DATE	STANDARD NO.	DRAWING TITLE	NO. OF SHEETS	EFFECTIVE DATE
703.10J	CONCRETE SINGLE BOX CULVERT - STRAIGHT WINGS (SQUARED)	3	07/01/2015	901.80D	HIGHWAY LIGHTING - POWER SUPPLY ASSEMBLY - SECONDARY SERVICE	2	04/01/2002
703.11J	CONCRETE SINGLE BOX CULVERT - FLARED WINGS (SQUARED)	3	07/01/2015	901.85A	HIGHWAY LIGHTING SYMBOLS	1	01/01/2003
703.12J	CONCRETE SINGLE BOX CULVERT - STRAIGHT WINGS (LEFT ADVANCE)	3	07/01/2015	902.00P	TRAFFIC SIGNALS	2	07/01/2017
703.13J	CONCRETE SINGLE BOX CULVERT - FLARED WINGS (LEFT ADVANCE)	3	07/01/2015	902.10Q	TRAFFIC SIGNALS - CONTROLLERS CONDUIT LOCATION	1	04/01/2005
703.14J	CONCRETE SINGLE BOX CULVERT - STRAIGHT WINGS (RIGHT ADVANCE)	3	07/01/2015	902.15K	TRAFFIC SIGNALS - POWER SUPPLY ASSEMBLY	3	07/01/2004
703.15E	CONCRETE SINGLE BOX CULVERT - FLARED WINGS (RIGHT ADVANCE)	3	07/01/2015	902.20G	TRAFFIC SIGNALS - CONCRETE PULL BOXES	3	11/01/2010
703.16	CONCRETE SINGLE BOX CULVERT - CUT SECTION	1	04/01/2011	902.21C	TRAFFIC SIGNALS - TELEPHONE INTERCONNECT	1	03/01/1996
703.17	CONCRETE SINGLE BOX CULVERT - MEMBER SIZES AND REINFORCEMENT	14	04/01/2011	902.30P	TRAFFIC SIGNALS - POST BASES	* 2	02/01/2008
703.37C	CONCRETE BOX CULVERT - EXTERIOR WING REINFORCEMENT	2	04/01/2011	902.40Q	TRAFFIC SIGNALS - TUBULAR STEEL POSTS	3	02/01/2008
703.38A	CONCRETE BOX CULVERT - CUTTING DETAILS	2	10/01/2009	902.50L	TRAFFIC SIGNALS - INDUCTION LOOP DETECTORS	2	06/01/2009
703.40H	CONCRETE DOUBLE BOX CULVERT - STRAIGHT WINGS (SQUARED)	3	10/01/2011	902.70P	TRAFFIC SIGNALS - RIGID SPAN WIRE DETAILS	2	02/01/2008
703.41H	CONCRETE DOUBLE BOX CULVERT - FLARED WINGS (SQUARED)	3	10/01/2011	902.80L	TRAFFIC SIGNALS - TRAFFIC SIGNAL SYMBOLS	1	07/01/2017
703.42H	CONCRETE DOUBLE BOX CULVERT - STRAIGHT WINGS (LEFT ADVANCE)	3	10/01/2011	903.01J	STANDARD ARROW DETAILS	2	10/01/2016
703.43H	CONCRETE DOUBLE BOX CULVERT - FLARED WINGS (LEFT ADVANCE)	3	10/01/2011	903.02AN	HIGHWAY SIGNING	8	01/01/2017
703.44H	CONCRETE DOUBLE BOX CULVERT - STRAIGHT WINGS (RIGHT ADVANCE)	3	10/01/2011	903.03BL	POST INSTALLATIONS AND SIGN MOUNTING DETAILS	* 16	07/01/2017
703.45C	CONCRETE DOUBLE BOX CULVERT - FLARED WINGS (RIGHT ADVANCE)	3	10/01/2011	903.04F	HIGHWAY SIGNING - WEIGH STATION	1	02/01/2012
703.46	CONCRETE BOX CULVERT - CUT SECTION	1	10/01/2011	903.05J	HIGHWAY SIGNING - TUBULAR SUPPORT STEEL - TYPE S, ONE TUBE	2	10/01/2016
703.47	CONCRETE BOX CULVERT - MEMBER SIZES AND REINFORCEMENT	27	10/01/2011	903.06J	HIGHWAY SIGNING - TUBULAR SUPPORT STEEL - TYPE S, TWO TUBE	2	10/01/2016
703.60E	CONCRETE BOX STRUCTURE - PIPE INLET	1	07/01/2001	903.07J	HIGHWAY SIGNING - TUBULAR SUPPORT STEEL - TYPE C	2	10/01/2016
703.80H	CONCRETE TRIPLE BOX CULVERT - STRAIGHT WINGS (SQUARED)	3	12/01/2011	903.08H	HIGHWAY SIGNING - TUBULAR SUPPORT STEEL - TYPE B	2	10/01/2016
703.81H	CONCRETE TRIPLE BOX CULVERT - FLARED WINGS (SQUARED)	3	12/01/2011	903.10BC	OVERHEAD SIGN TRUSSES - ALUMINUM	6	10/01/2016
703.82H	CONCRETE TRIPLE BOX CULVERT - STRAIGHT WINGS (LEFT ADVANCE)	3	12/01/2011	903.12Z	OVERHEAD SIGN TRUSSES - BUTTERFLY AND CANTILEVER STRUCTURAL STEEL	7	10/01/2016
703.83H	CONCRETE TRIPLE BOX CULVERT - FLARED WINGS (LEFT ADVANCE)	3	12/01/2011	903.60AB	OVERHEAD SIGN TRUSSES - STRUCTURAL STEEL	5	10/01/2016
703.84H	CONCRETE TRIPLE BOX CULVERT - STRAIGHT WINGS (RIGHT ADVANCE)	3	12/01/2011				
703.85C	CONCRETE TRIPLE BOX CULVERT - FLARED WINGS (RIGHT ADVANCE)	3	12/01/2011				
703.86	CONCRETE TRIPLE BOX CULVERT - CUT SECTION	1	12/01/2011				
703.87	CONCRETE TRIPLE BOX CULVERT - MEMBER SIZES AND REINFORCEMENT	27	12/01/2011				
706.35H	BAR SUPPORTS FOR CONCRETE REINFORCEMENT	1	07/01/2004				
712.40K	STEEL DAMS AT EXPANSION DEVICES	1	04/01/2016				
725.00C	CORRUGATED METAL PIPE INSTALLATION METHODS	5	04/01/2011				
725.31C	METAL CURTAIN WALL AND METAL INLETS	1	07/01/2004				
726.30J	RIGID CULVERT INSTALLATION METHODS	2	04/01/2015				
730.00E	THERMOPLASTIC PIPE INSTALLATION METHODS	1	04/01/2015				
731.00U	PRECAST MANHOLES	2	07/01/2016				
731.10S	PRECAST DROP INLET	8	07/01/2016				
732.00S	FLARED END SECTION	3	04/01/2016				
732.05C	BEVELED PIPE END TREATMENT	2	07/01/2004				
732.10H	SAFETY SLOPE END SECTION	3	06/01/2013				
806.10J	TEMPORARY EROSION CONTROL MEASURES	6	04/01/2015				
808.00	TYPICAL PLANTING ILLUSTRATIONS	3	07/01/2004				
901.00AA	HIGHWAY LIGHTING - POLES, FOUNDATIONS & APPURTENANCES FOR 30' M.H.	4	12/01/2013				
901.01AH	HIGHWAY LIGHTING - POLES, FOUNDATIONS & APPURTENANCES FOR 45' M.H.	6	12/01/2013				
901.02B	HIGHWAY LIGHTING - CABLE, CONDUIT AND TRENCHING	1	04/01/2002				
901.30F	HIGHWAY LIGHTING - BASE MOUNTED CONTROL STATION	2	04/01/2005				



PLAN

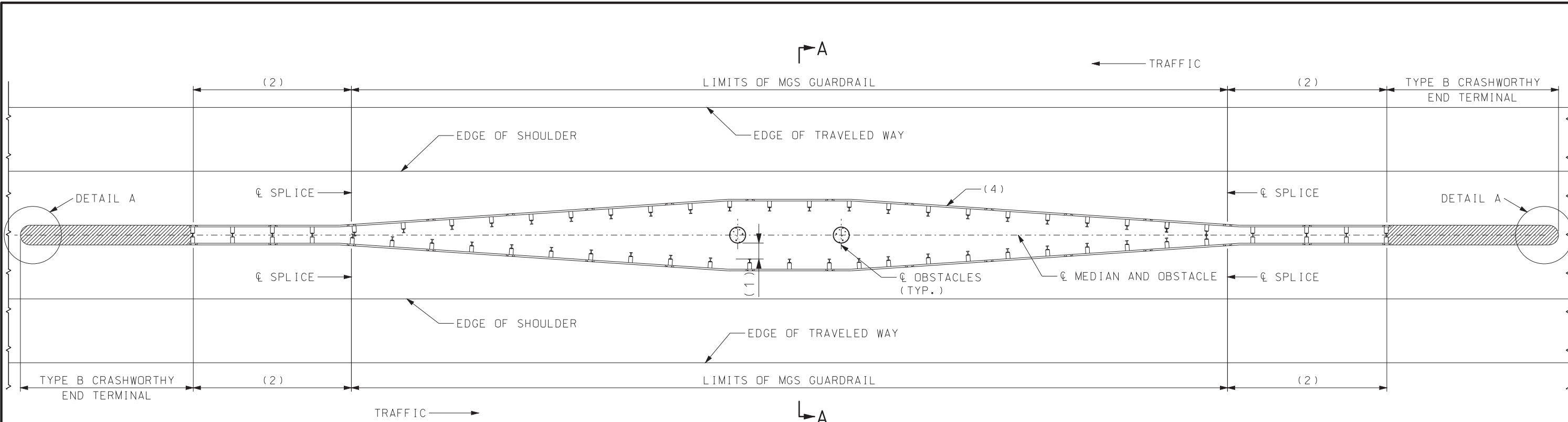


PROFILE

 <p>MISSOURI HIGHWAYS AND TRANSPORTATION COMMISSION 105 WEST CAPITOL JEFFERSON CITY, MO 65102 1-888-ASK-MODOT (1-888-275-6636)</p>	<p>THREE-STRAND GUARD CABLE TRANSITION AT MEDIAN OPENING</p>		
			<p>STATE OF MISSOURI ERIC E. SCHROETER NUMBER PE-28411 PROFESSIONAL ENGINEER</p> <p><small>THIS SHEET HAS BEEN SIGNED, SEALED AND DATED ELECTRONICALLY.</small></p>

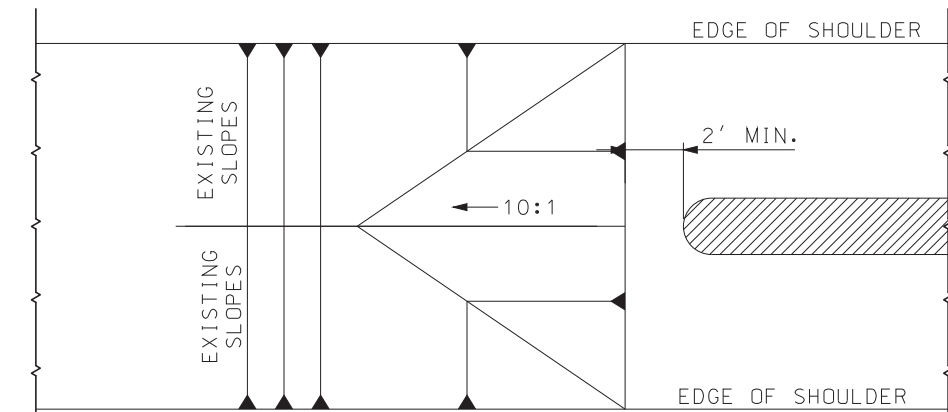
IF A SEAL IS PRESENT ON THIS SHEET IT HAS BEEN ELECTRONICALLY SEALED AND DATED.

IF A SEAL IS PRESENT ON THIS SHEET IT HAS BEEN ELECTRONICALLY SEALED AND DATED.

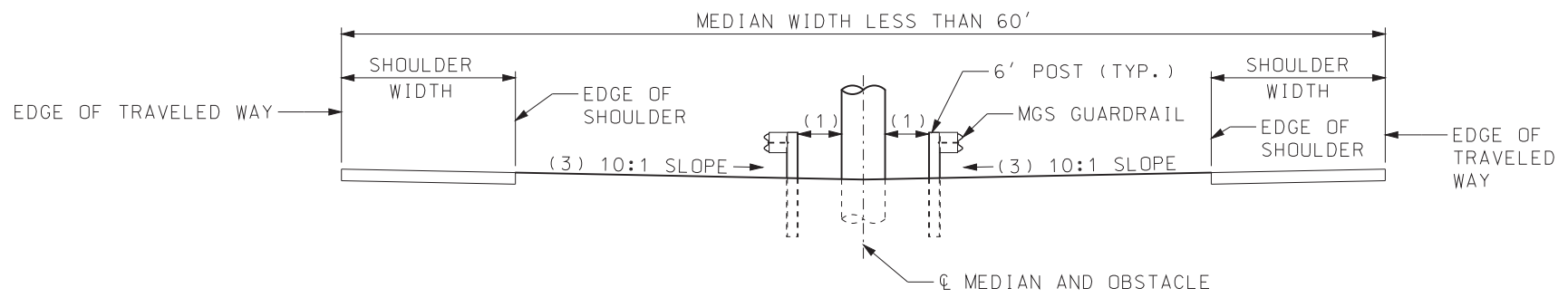


PIER AT CL MEDIAN

- (1) 3'-0" MINIMUM CLEARANCE TO THE FACE OF OBSTACLE WITH 6'-3" POST SPACING IS PREFERRED
 2'-0" MINIMUM CLEARANCE USE 3'-1 1/2" POST SPACING
 1'-6" MINIMUM CLEARANCE USE 1'-6 3/4" POST SPACING
 SEE STD. PLANS 606.50 FOR POST SPACING DETAILS.
- (2) TRANSITION DOUBLE FACED GUARDRAIL HEIGHT AND WIDTH IF NEEDED FOR TYPE B CRASHWORTHY END TERMINAL PER MANUFACTURER'S REQUIREMENTS. SEE STD. PLANS 606.50 FOR HEIGHT TRANSITION DETAILS.
- (3) CONTINUE 10:1 SLOPE TO OBSTACLE OR A MINIMUM OF 2' PAST THE BACK OF THE GUARDRAIL POST.
- (4) 15:1 FLARE RATE OR AS RECOMMENDED BY TABLE 5-9 OF THE LATEST VERSION OF THE "ROADSIDE DESIGN GUIDE".




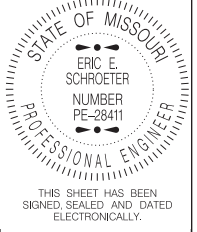
DETAIL A
(GRADING LIMITS)

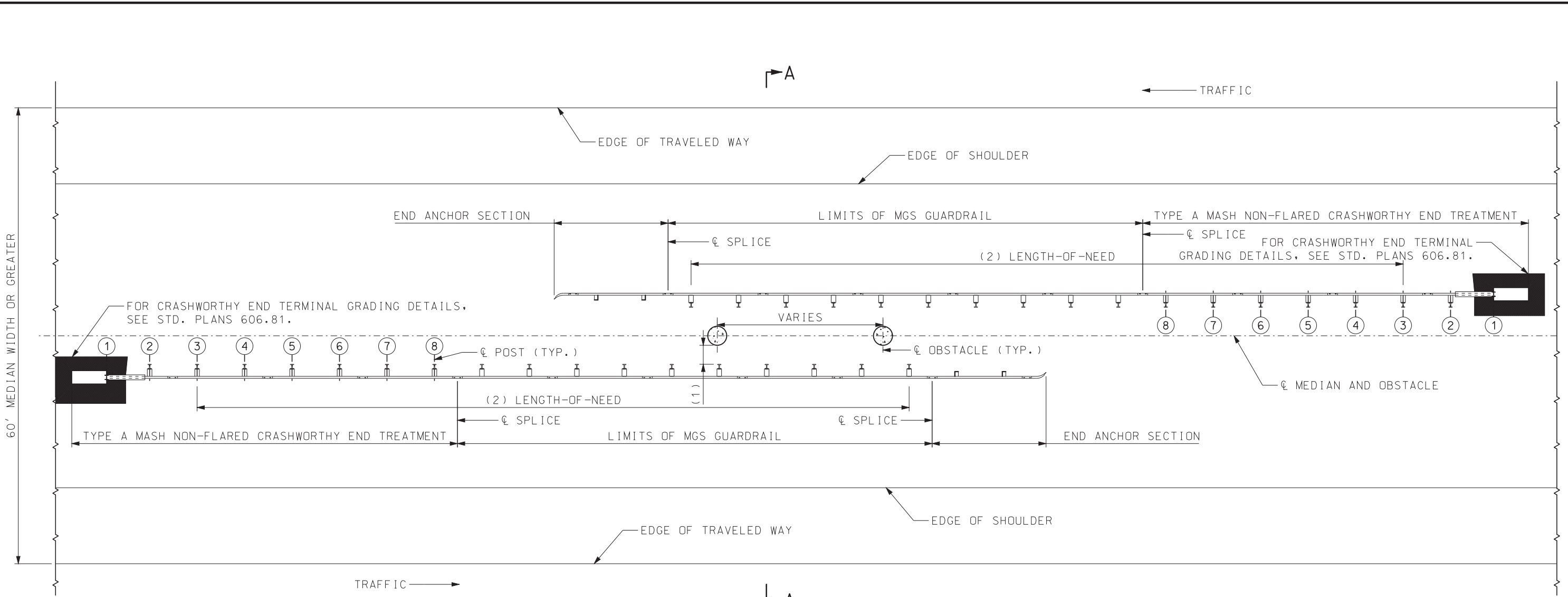


SECTION A-A

GENERAL NOTE:

TYPE B CRASHWORTHY END TERMINAL SHALL BE MGS COMPATIBLE, LATEST VERSION AND SHALL BE INSTALLED ACCORDING TO MANUFACTURER'S RECOMMENDATIONS.

 MISSOURI HIGHWAYS AND TRANSPORTATION COMMISSION 105 WEST CAPITOL JEFFERSON CITY, MO 65102 1-888-ASK-MODOT (1-888-275-6636)	
	<p>MGS GUARDRAIL MEDIAN PIER PROTECTION</p> <p>MEDIAN LESS THAN 60'</p>
DATE EFFECTIVE: 10/01/2017 DATE PREPARED: 8/8/2017	<p>606.51</p>
SHEET NO. 1 OF 2	

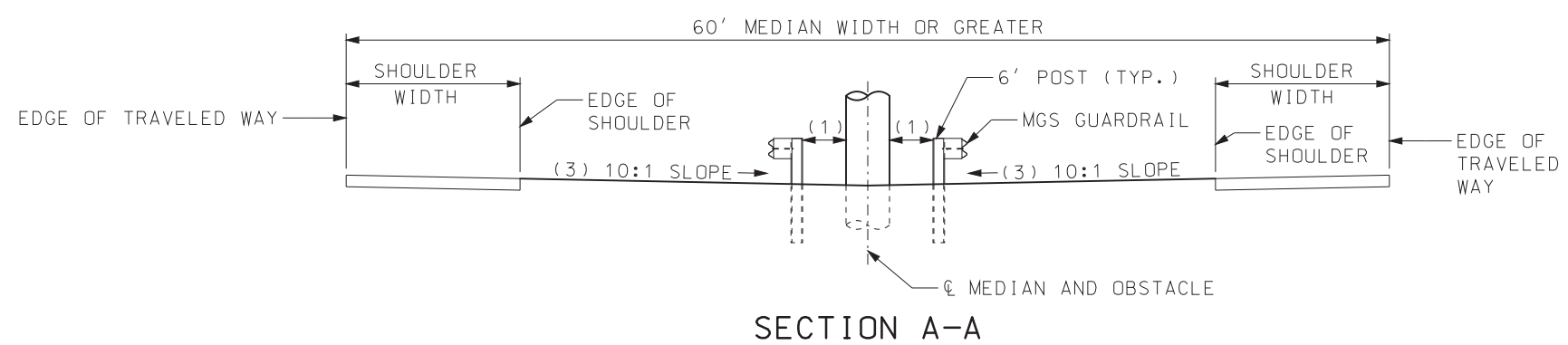


PIER AT CL MEDIAN

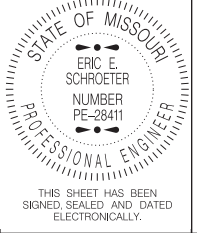
- (1) 3'-0" MINIMUM CLEARANCE TO THE FACE OF OBSTACLE WITH 6'-3" POST SPACING IS PREFERRED
 2'-0" MINIMUM CLEARANCE USE 3'-11#2" POST SPACING
 1'-6" MINIMUM CLEARANCE USE 1'-63#4" POST SPACING
 SEE STD. PLANS 606.50 FOR POST SPACING DETAILS.
- (2) FOR LENGTH-OF-NEED, SEE THE LATEST VERSION OF THE "ROADSIDE DESIGN GUIDE 5.6.4 LENGTH-OF-NEED".
- (3) CONTINUE 10:1 SLOPE TO OBSTACLE OR A MINIMUM OF 2' PAST THE BACK OF THE GUARDRAIL POST.

GENERAL NOTE:
 MEDIAN WIDTHS GREATER THAN 60' THAT THE PIER OBSTACLES ARE BEYOND THE CLEAR-ZONE DO NOT REQUIRE MEDIAN PIER PROTECTION. FOR CLEAR-ZONE DISTANCES, SEE THE LATEST VERSION OF THE "ROADSIDE DESIGN GUIDE 3.1 THE CLEAR-ZONE CONCEPT".

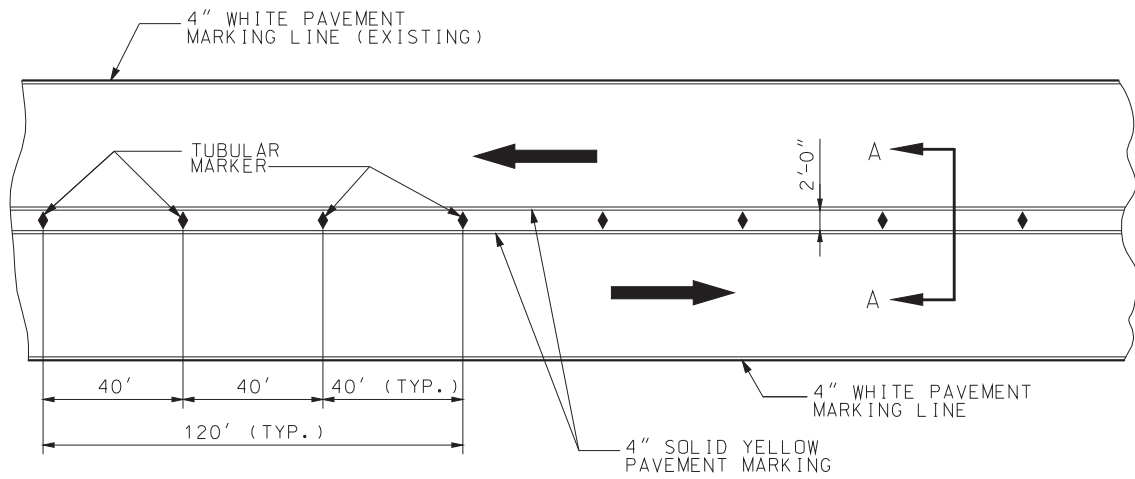
TYPE A NON-FLARED CRASHWORTHY END TERMINAL SHALL BE THE LATEST VERSION AND SHALL BE INSTALLED ACCORDING TO MANUFACTURER'S RECOMMENDATIONS.



SECTION A-A

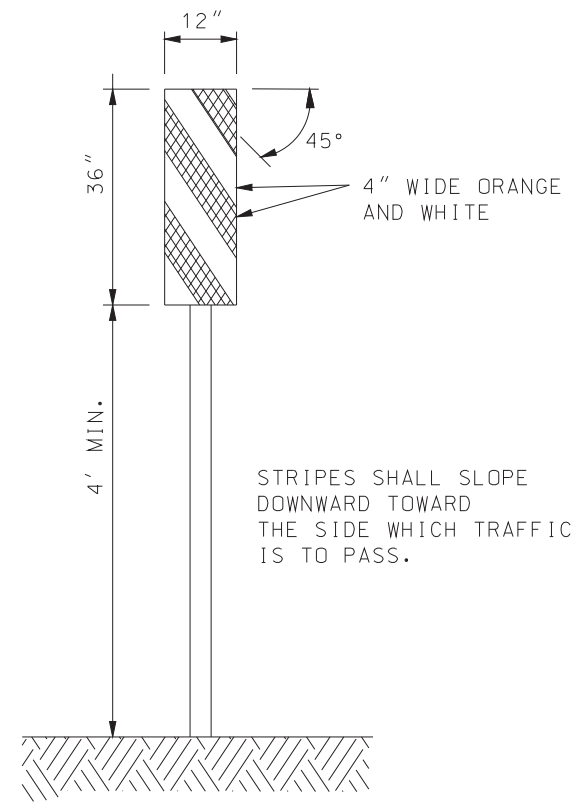
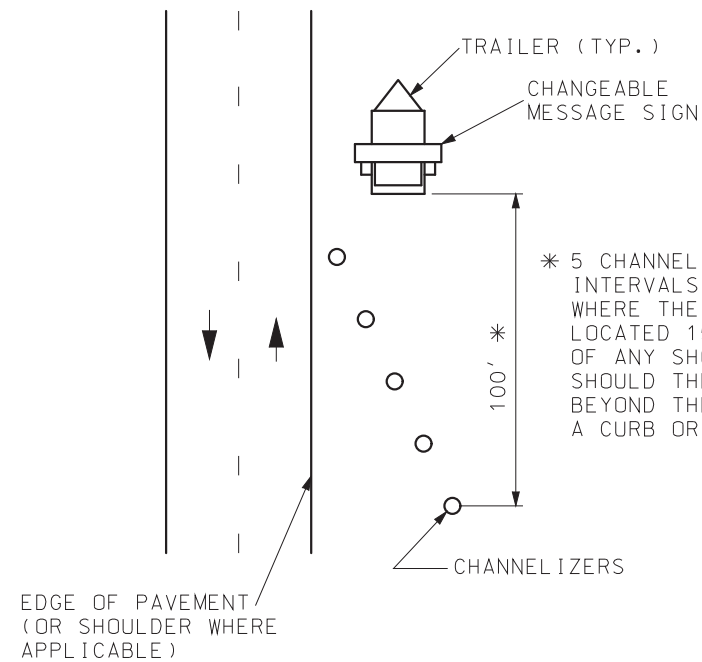
 MISSOURI HIGHWAYS AND TRANSPORTATION COMMISSION 105 WEST CAPITOL JEFFERSON CITY, MO 65102 1-888-ASK-MODOT (1-888-275-6636)	
	<p>MGS GUARDRAIL MEDIAN PIER PROTECTION</p> <p>60' MEDIAN OR GREATER</p>
DATE EFFECTIVE: 10/01/2017 DATE PREPARED: 8/8/2017	<p>606.51</p>
SHEET NO. 2 OF 2	

IF A SEAL IS PRESENT ON THIS SHEET IT HAS BEEN ELECTRONICALLY SEALED AND DATED.

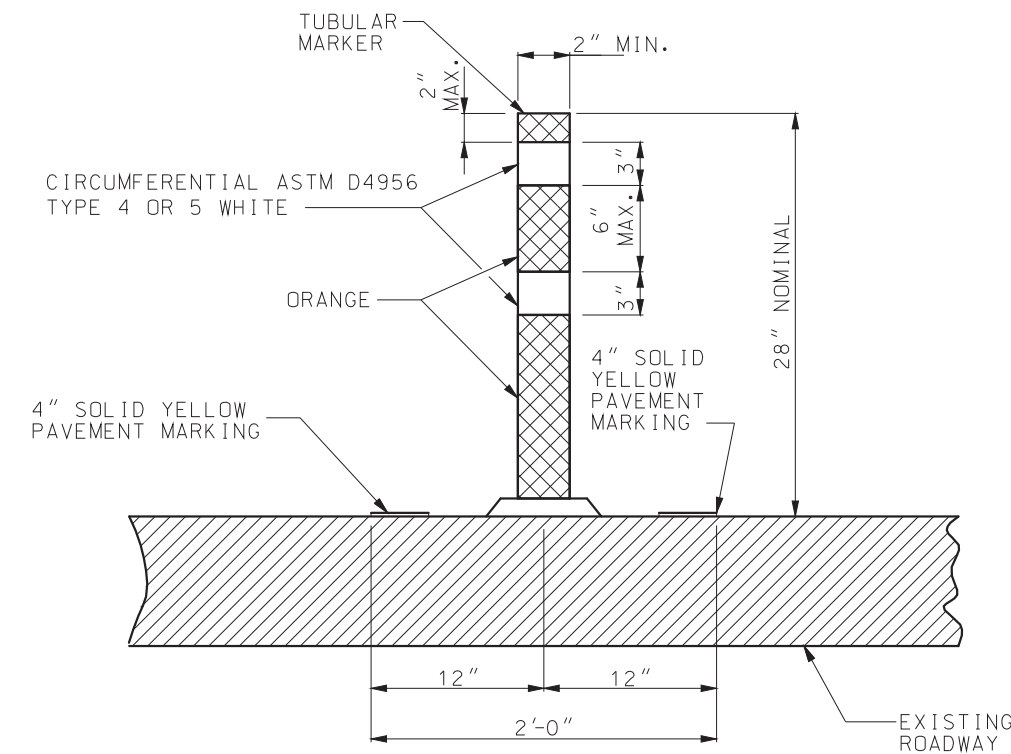


TWO LANE / TWO WAY TRAFFIC DELINEATION PLAN FOR DIVIDED HIGHWAY

IF RAISED PAVEMENT MARKERS ARE PRESENT, THE LENSES SHALL BE REMOVED OR COVERED TO THE SATISFACTION OF THE ENGINEER.



TYPE 3 OBJECT MARKERS
WHITE AND ORANGE REFLECTIVE SHEETING SHALL BE IN ACCORDANCE WITH SEC 1042.2.7.3.

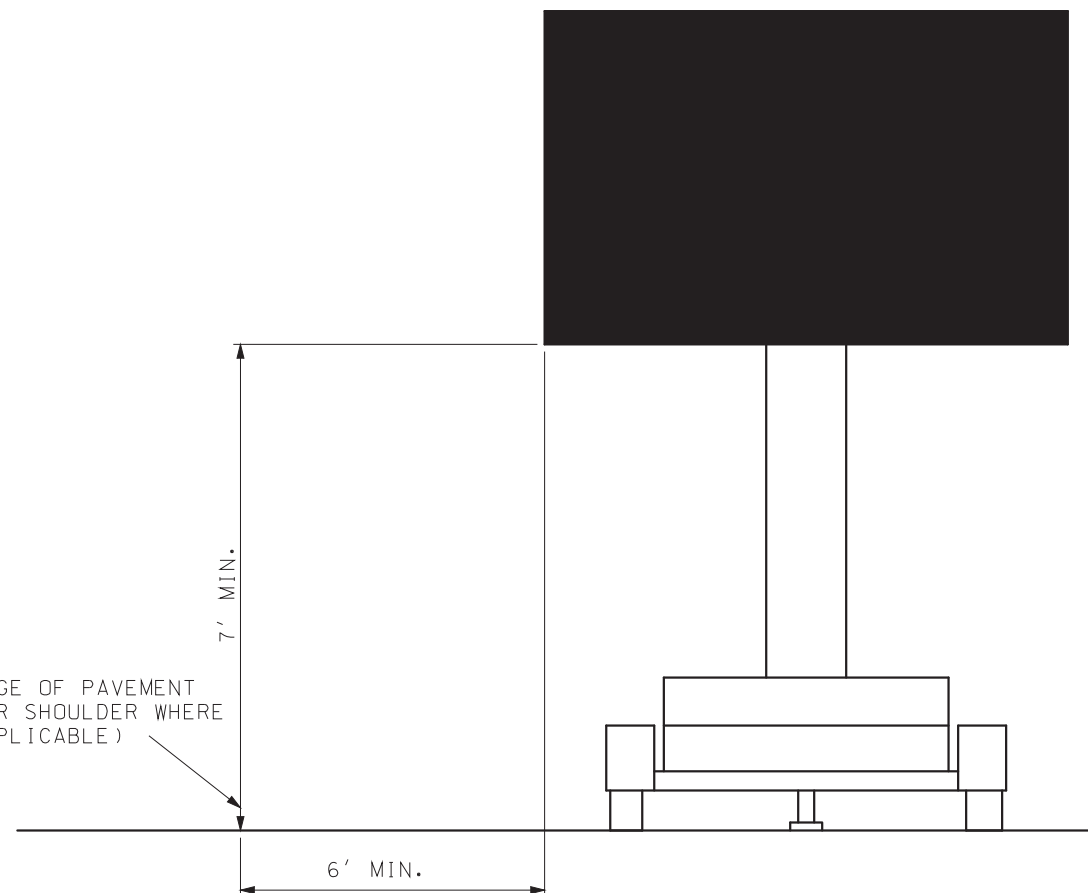


**SECTION A-A
TUBULAR MARKER DETAIL**

AN ADHESIVE, IN ACCORDANCE WITH THE MANUFACTURER'S RECOMMENDATIONS, SHALL BE USED TO APPLY THE TUBULAR MARKER TO THE ROADWAY SURFACE. THE ADHESIVE SHALL PERMIT EASY REMOVAL OF THE TUBULAR MARKER WITHOUT DAMAGE TO THE ROADWAY SURFACE.

REFLECTIVE SHEETING APPLIED TO TUBULAR MARKERS SHALL BE REBOUNDABLE MEETING ASTM D4956.

EDGE OF PAVEMENT (OR SHOULDER WHERE APPLICABLE)



CHANGEABLE MESSAGE SIGN

<p>MISSOURI HIGHWAYS AND TRANSPORTATION COMMISSION</p> <p>105 WEST CAPITOL JEFFERSON CITY, MO 65102 1-888-ASK-MODOT (1-888-275-6636)</p>	
<p>STATE OF MISSOURI ERIC E. SCHROETER NUMBER PE-28411 PROFESSIONAL ENGINEER</p> <p>THIS SHEET HAS BEEN SIGNED, SEALED AND DATED ELECTRONICALLY.</p>	<p>TEMPORARY TRAFFIC CONTROL DEVICES</p>
<p>DATE EFFECTIVE: 10/01/2017 DATE PREPARED: 8/8/2017</p>	<p>616.10AU</p>
<p>SHEET NO. 5 OF 9</p>	

IF A SEAL IS PRESENT ON THIS SHEET IT HAS BEEN ELECTRONICALLY SEALED AND DATED.

	CROSS SECTION	CONDITION		TREATMENT	SIGN		
		DIFFERENTIAL	TIME		MAINLINE (1)	SIDE ROAD (2)	
EDGE DROP-OFF		PAVEMENT EDGE DIFFERENTIAL > 2" TO ≤ 3"	NON-WORKING HOURS	WEDGE SLOPE TO 1V:1H OR FLATTER	 W08-17 (3)(4) W08-17p (6)	NO SIGNS REQUIRED	<p>(1) SIGNS SHALL BE SPACED AT APPROXIMATELY ONE MILE INTERVALS AND LOCATED WITHIN 150 FT. BEYOND ANY STATE ROADS. WHEN A SIGN PLACED AT THE ONE MILE INTERVAL FALLS WITHIN 1/2 MILE OF A SIGN PLACED AFTER AN INTERSECTION, THE SIGN PLACED AT THE 1/2 MILE INTERVAL MAY BE OMITTED. WHEN SHOULDER DROP-OFF SIGNS WITH UNEVEN LANES ARE BOTH SPECIFIED, ALTERNATING SIGN MESSAGES SHALL BE USED AT 1 MILE SPACINGS.</p> <p>(2) ON SIDE ROADS WITH POSTED SPEED OF 45 MPH OR GREATER, SIGNS SHALL BE PLACED 150 FT. IN ADVANCE OF INTERSECTION WITH MAINLINE.</p> <p>(3) SIGNS SHALL BE LOCATED ON THE SIDE OF THE ROADWAY WHERE THE PAVEMENT EDGE DIFFERENTIAL EXISTS.</p> <p>(4) SIGNS TO REMAIN VISIBLE UNTIL SHOULDER SHAPING IS COMPLETE.</p> <p>(5) SIGNS SHALL BE LOCATED ON RIGHT SIDE OF NON-DIVIDED HIGHWAYS AND ON BOTH SIDES OF DIVIDED HIGHWAYS WHERE A LANE LINE DIFFERENTIAL EXISTS.</p> <p>(6) WHEN THE SHOULDER DROP-OFF SIGNS ARE IN PLACE FOR GREATER THAN THREE DAYS, THE SHOULDER DROP-OFF PLAQUE SHOULD BE USED IN ADDITION WITH THE SHOULDER DROP-OFF SIGN.</p>
	WORKING HOURS		NO EDGE TREATMENT REQUIRED				
		PAVEMENT EDGE DIFFERENTIAL > 2" TO ≤ 3"	NON-WORKING HOURS	WEDGE SLOPE TO 1V:1H OR FLATTER	 W08-17 (3)(4) W08-17p (6)	NO SIGNS REQUIRED	
	WORKING HOURS		NO EDGE TREATMENT REQUIRED				
	PAVEMENT EDGE DIFFERENTIAL > 3"	NON-WORKING HOURS	WEDGE SLOPE TO 1V:3H OR FLATTER	 W08-17 (3)(4) W08-17p (6)			
WORKING HOURS		DELINEATE DIFFERENTIAL WITH CHANNELIZERS	W08-1 (3)				
		ANY PAVEMENT EDGE OR LANE LINE DIFFERENTIAL	NON-WORKING AND WORKING HOURS WHERE PLANS REQUIRE ADJACENT LANE CLOSURE WITH CHANNELIZATION OR PARTIAL LANE CLOSURE WITH BARRIER.	NO EDGE TREATMENT REQUIRED	NO SIGNS REQUIRED	NO SIGNS REQUIRED	
	<p>* FOR DISTANCES LESS THAN 2', SEE STANDARD PLAN 617.20.</p> <p>** FOR DISTANCES LESS THAN 3', SEE STANDARD PLAN 617.20.</p>						
LANE DIFFERENTIAL		LANE LINE DIFFERENTIAL ≤ 2"	NON-WORKING AND WORKING HOURS	NO EDGE TREATMENT REQUIRED		NO SIGNS REQUIRED	
		LANE LINE DIFFERENTIAL > 2"	NON-WORKING AND WORKING HOURS WHERE LANES OPEN TO TRAFFIC	WEDGE SLOPE TO 1V:3H OR FLATTER			
	NON-WORKING AND WORKING HOURS WHERE LANE CLOSED TO TRAFFIC		DELINEATE DIFFERENTIAL WITH CHANNELIZERS	W08-11 (5)			W08-1

- LEGEND
- RIGID PAVEMENT
 - FLEXIBLE PAVEMENT
 - ALL PAVEMENT TYPES

GENERAL NOTES:

SIGNS SHALL BE VISIBLE TO TRAFFIC ONLY WHEN AND WHERE CONDITIONS EXIST.

FOR ADDITIONAL SIGN SPACING AND DETAILS SEE STANDARD PLAN 620.10.

MISSOURI HIGHWAYS AND TRANSPORTATION COMMISSION

MoDOT

105 WEST CAPITOL
JEFFERSON CITY, MO 65102
1-888-ASK-MODOT (1-888-275-6636)

STATE OF MISSOURI
ERIC E. SCHROETER
NUMBER PE-28411
PROFESSIONAL ENGINEER

THIS SHEET HAS BEEN SIGNED, SEALED AND DATED ELECTRONICALLY.

PAVEMENT EDGE TREATMENT

IF A SEAL IS PRESENT ON THIS SHEET IT HAS BEEN ELECTRONICALLY SEALED AND DATED.