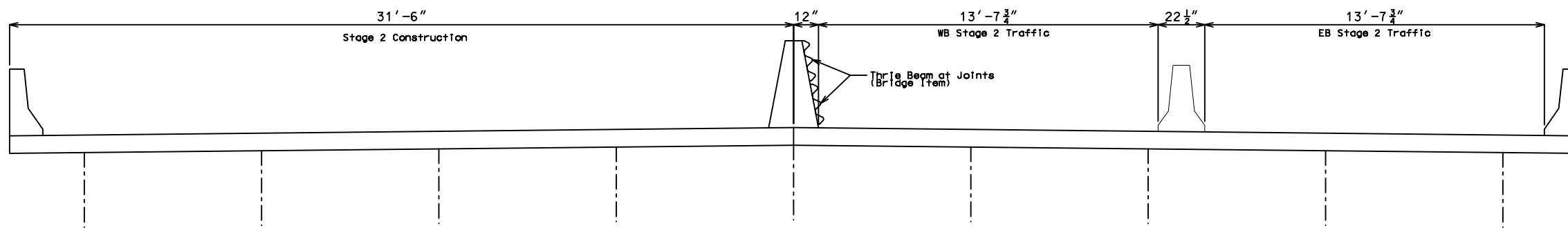


Stage 1



Stage 2

Preferred Staging Option

"THIS MEDIA SHOULD NOT BE CONSIDERED A CERTIFIED DOCUMENT."

DATE PREPARED
10/22/2015

ROUTE I-70 STATE MO

DISTRICT BR SHEET NO. #

COUNTY BOONE-COOPER

JOB NO. J513000

CONTRACT ID.

PROJECT NO.

BRIDGE NO. L09624

DATE	DESCRIPTION

MISSOURI HIGHWAYS AND TRANSPORTATION COMMISSION



105 WEST CAPITOL
JEFFERSON CITY, MO 65102
1-888-ASK-MODOT (1-888-275-6636)

IF A SEAL IS PRESENT ON THIS SHEET IT HAS BEEN ELECTRONICALLY SEALED AND DATED.