

Notes:

These details are a general representation of a Decorative Pedestrian Fence. The actual fence components and component positions may be different than what is shown.

Fence shall have a gloss black finish (Federal Standard #17038). See special provisions.

Bent connection plate shall be ASTM A709, Grade 50.

All bent connection plates, resin anchors, hex nuts and washers shall be galvanized in accordance with ASTM A123 and Sec 1081.

Measurement of decorative pedestrian fence will be made horizontally and to the nearest linear foot along centerline fence.

Payment for furnishing and erecting the fence complete in place will be considered completely covered by the contract unit price for (in.) Decorative Pedestrian Fence (Structures).

All fence posts shall be vertical.

Grout shall be placed under the post bent connection plates (horizontal leg) in accordance with Sec 1066.

Decorative pedestrian fencing shall be in accordance with 2020-AASHTO LRFD Bridge Design Specifications, 9th Ed.

Shop drawings and structural calculations will not be required for the decorative pedestrian fences on the Bridge Pre-qualified Products List.

All materials used in fabrication and construction of the decorative pedestrian fencing shall be in accordance with the manufacturer's specifications, except as modified in the contract documents.

Decorative pedestrian fencing system shall be supplied by only one manufacturer. Decorative pedestrian fencing system shall include all components except the resin anchors and hardware. The assembly of the pickets to the rails and the rails to the posts shall be the same as the style mentioned for the manufacturer.

See Bridge Pre-qualified Products List (BPPL) for a list of approved manufacturers.

For details of barrier, see Sheet No. .

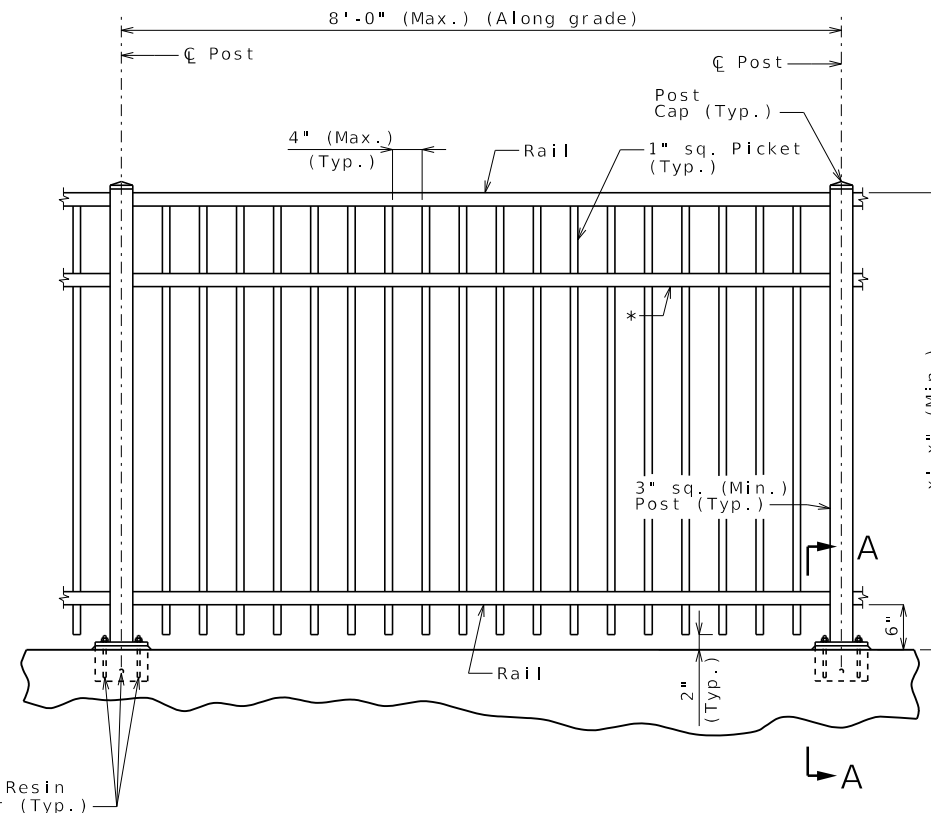
Resin Anchor Notes:

Resin anchors shall be ASTM F1554 Grade 36.

The contractor shall use one of the qualified resin anchor systems in accordance with Sec 1039.

Cost of furnishing and installing the resin anchor systems, complete in place, will be considered completely covered by the contract unit price for Decorative Pedestrian Fence.

The minimum embedment depth in concrete with f'c = 4,000 psi for the resin anchor systems shall be that required to meet the minimum ultimate pullout strength in accordance with Sec 1039 but shall not be less than 5 5/8 inches.



TYPICAL PART ELEVATION

* Optional rail. Need is based on design computations performed by the manufacturer and approved by MoDOT, or may be added for aesthetics.

Standard Drawing Guidance:

(Do not show on plans.)

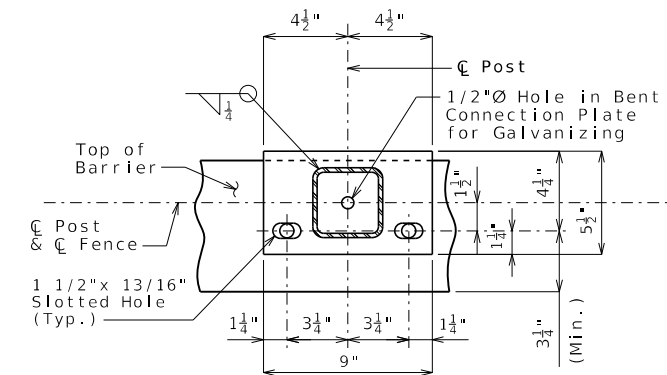
Note on plans that longitudinal dimensions of fence are horizontal.

Modify detail and notes as necessary per project requirements.

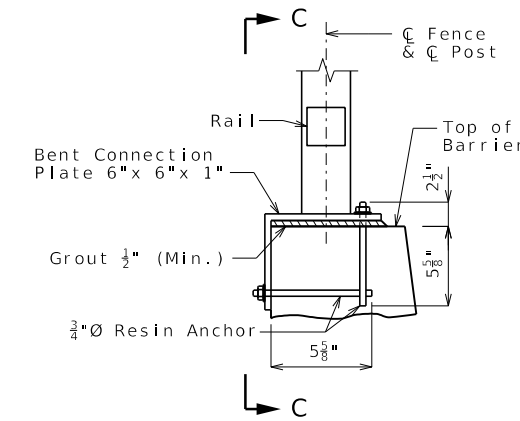
Include these notes on the barrier sheet:

For details of decorative pedestrian fence, see sheet No. .

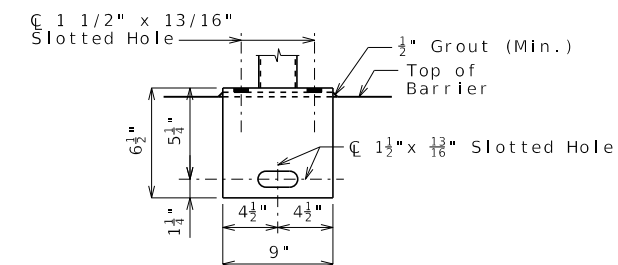
Reinforcing steel shall be shifted in the field to clear resin anchors for decorative fence.



PART PLAN SHOWING CONNECTION PLATE



SECTION A-A



ELEVATION C-C

1/2-inch diameter hole in bent connection plate not shown for clarity.

DATE PREPARED	
1/24/2025	
ROUTE	STATE
	MO
DISTRICT	SHEET NO.
	3
COUNTY	
JOB NO.	
CONTRACT ID.	
PROJECT NO.	
BRIDGE NO.	

DATE	DESCRIPTION

MISSOURI HIGHWAYS AND TRANSPORTATION COMMISSION

105 WEST CAPITOL JEFFERSON CITY, MO 65102
1-888-ASK-MODOT (1-888-275-6636)

DECORATIVE PEDESTRIAN FENCE WITH RESIN ANCHORS

Detailed
Checked

Note: This drawing is not to scale. Follow dimensions.

Sheet No. of

FEN05 Alternate Details

