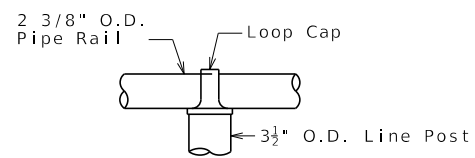
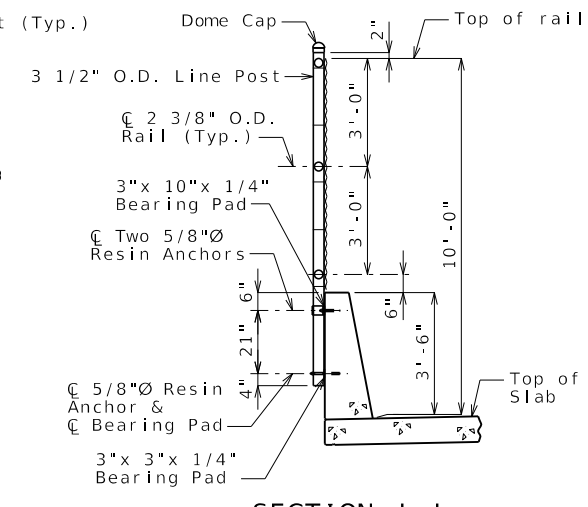
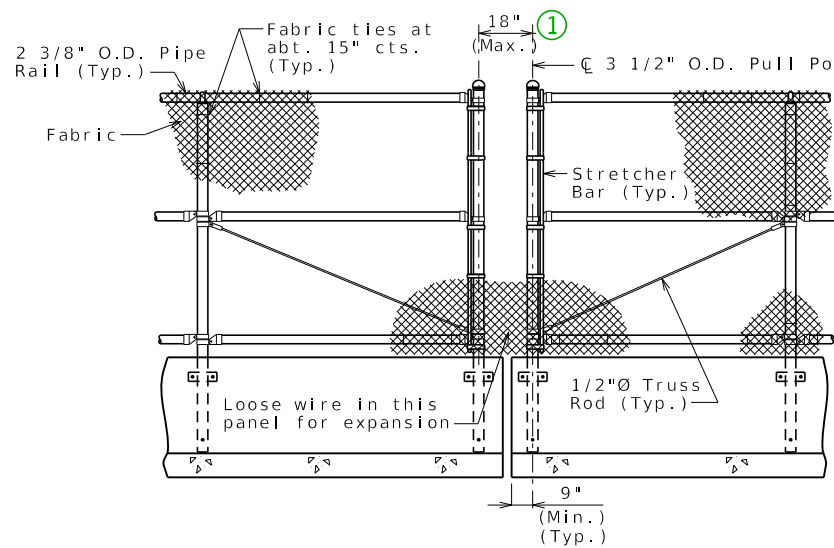
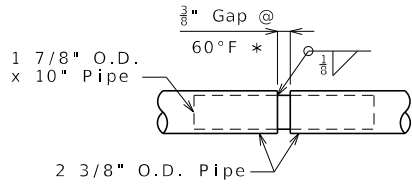


* 3/8" Gap for splice at about 30'-0" centers with at least one splice gap between pull or end posts.



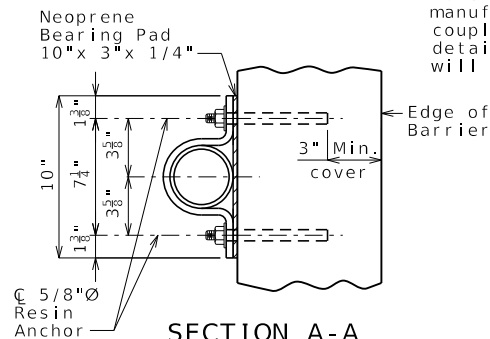
DETAIL A

* 3/8" Gap for splice at about 30'-0" centers with at least one splice gap between pull or end posts.

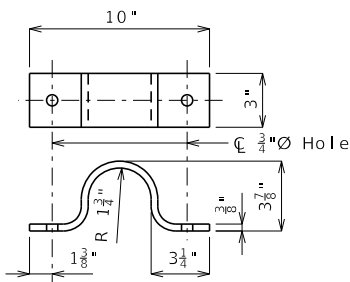


TYPICAL RAIL DETAIL AT SPLICE GAP

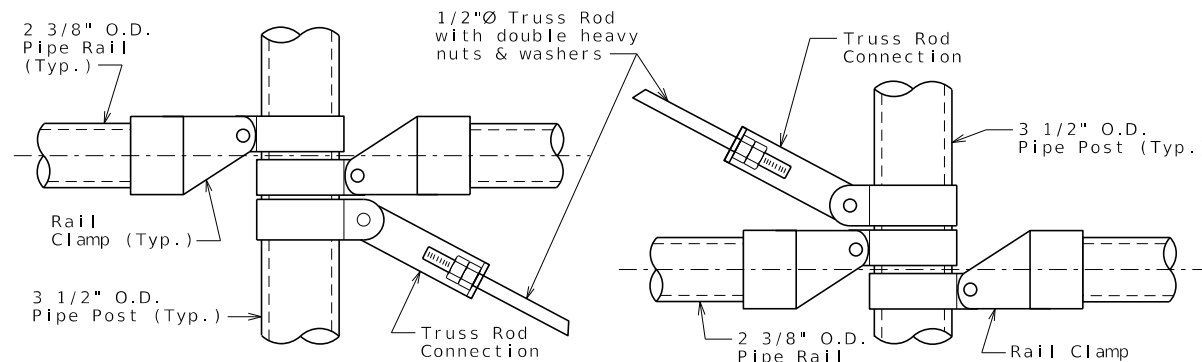
Note: At the contractor's option, manufacturer-approved expansion coupling may be used in lieu of detail shown. No additional payment will be made for this substitution.



SECTION A-A

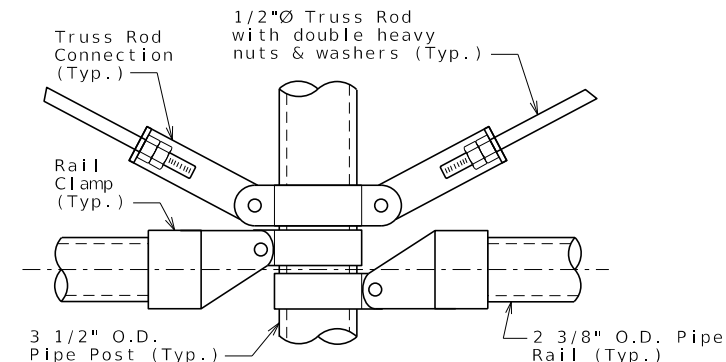


STRAP DETAIL



UPPER TRUSS ROD CONNECTION DETAIL

LOWER TRUSS ROD CONNECTION DETAIL



DUAL LOWER TRUSS ROD CONNECTION DETAIL

GENERAL NOTES:

Pedestrian chain link fence shall be in accordance with Sec 1043 except all fabric shall have the top and bottom edges knuckled and pipe members shall be in accordance with ASTM F1043, high strength grade (minimum yield = 50 ksi) heavy industrial steel pipe Group 1A.

All posts shall be vertical.

Payment for furnishing, galvanizing and erecting the fence and frame complete in place will be considered completely covered by the contract unit price for (120 in.) Pedestrian Fence (Structures) per linear foot.

Dimensions of pedestrian chain link fence are measured horizontally.

The maximum spacing allowed between pull posts and end posts is 100 feet. Post brace and 1/2-inch diameter truss rod are required for panels adjacent to pull post and end posts only. Connect the lower end of truss rod to bottom of pull posts and end posts to which the stretcher bar is attached.

Rail clamps, dome cap, bands, tie wires, stretcher bars and truss rod connections shall be in accordance with the manufacturer's recommendations. The truss rod and truss rod connections shall have a minimum capacity of 2000 pounds. Dome cap shall fit tightly.

Expansion joints shall be placed in the horizontal pieces at not more than 30-foot centers and at all joint filler locations in the barrier with a minimum gap of 3/8 inch at 60 degrees F.

Steel for truss rods shall be ASTM A709 Grade 36. Steel for post straps shall be ASTM A709 Grade 50. Neoprene bearing pads shall be 50 durometer and shall be in accordance with Sec 716.

Contractor shall submit complete detailed shop drawings in accordance with Sec 1080.

All straps, anchors, hex nuts and washers shall be galvanized in accordance with ASTM A123 and Sec 1081.

Anchors shall be ASTM F1554 Grade 36.

The contractor shall use one of the qualified resin anchor systems in accordance with Sec 1039.

Cost of furnishing and installing the resin anchor systems, complete in place, will be considered completely covered by the contract unit price for (120 in.) Pedestrian Fence (Structures).

The minimum embedment depth in concrete with f'c = 4,000 psi for the resin anchor systems shall be that required to meet the minimum ultimate pullout strength in accordance with Sec 1039 but shall not be less than 5 inches.

(120 in.) Pedestrian Fence (Structures) will be measured to the nearest linear foot for each structure, measured along the centerline fence from end of fence to end of fence.

Chain link wire fabric shall be 9 gage minimum, 2-inch diamond mesh.

The chain link fence shall be built in accordance with Sec 607 and Sec 1043.

For details of barrier, see Sheet No. __.

PEDESTRIAN CHAIN LINK FENCE

Detailed Checked

Note: This drawing is not to scale. Follow dimensions.

Sheet No. of

DATE PREPARED 7/22/2024	
ROUTE	STATE MO
DISTRICT	SHEET NO. 000
COUNTY	
JOB NO.	
CONTRACT ID.	
PROJECT NO.	
BRIDGE NO.	

DATE	DESCRIPTION

MISSOURI HIGHWAYS AND TRANSPORTATION COMMISSION

105 WEST CAPITOL
JEFFERSON CITY, MO 65102
1-888-ASK-MODOT (1-888-275-6636)

Guidance & Alternate details FEN02 (1 of 1)

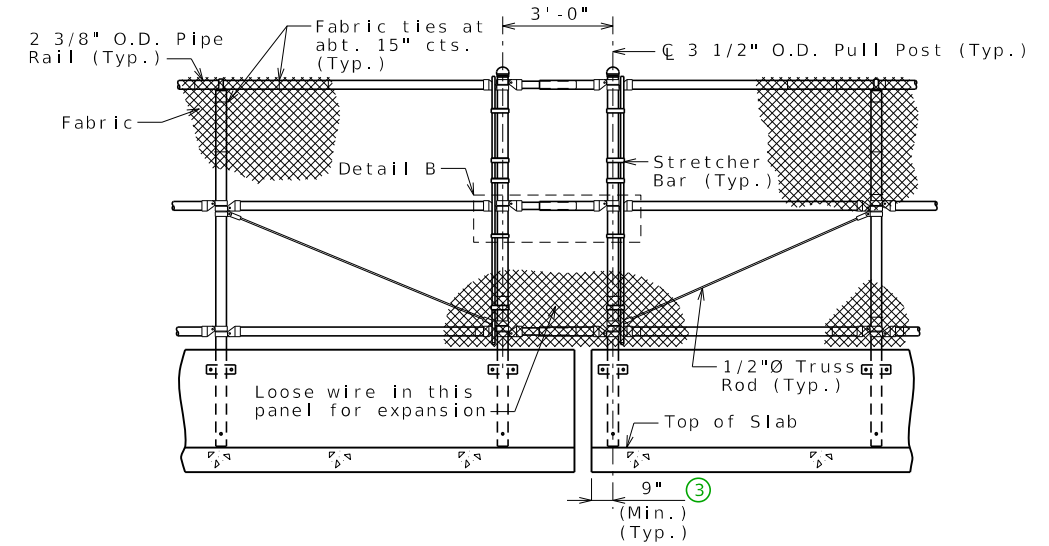
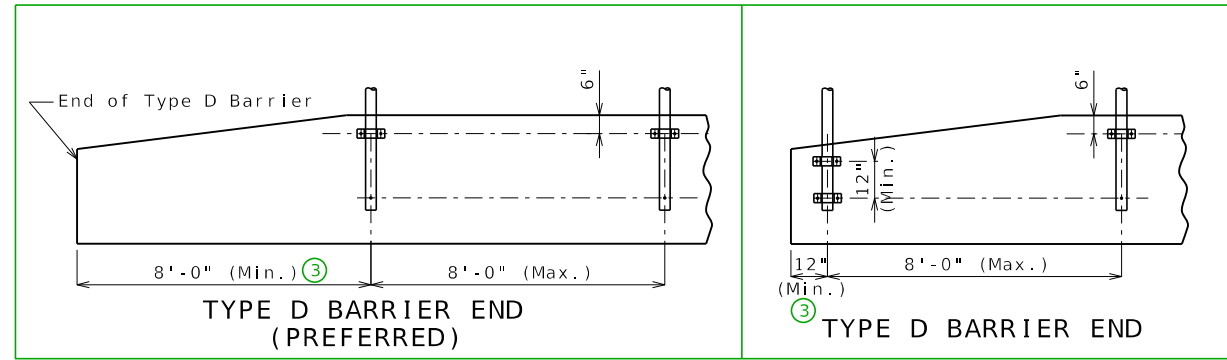
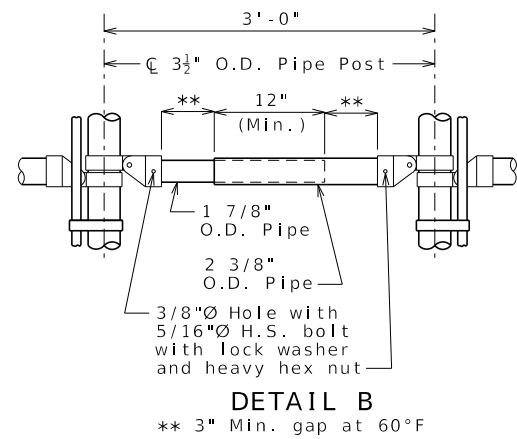
Standard Drawing Guidance (Do not show on plans.):

- ① For gaps more than 18" between posts, use the alternate detail, with expansion rails and 3' between posts & Detail B. This may conflict with any proposed expansion device; consult structural project manager.
- ② For greater expansion length, consult the SPM and use alternate details.
- ③ 9" min. from barrier joint. 4'-0" min. from end of Type H barrier; 8'-0" min. from end of Type D barrier. If a shorter distance is needed, details may need to be modified to clear guardrail attachment anchors.

Include these notes on the barrier sheet:

For details of pedestrian chain link fence, see Sheet No. ___.

Reinforcing steel shall be shifted in the field to clear anchors for chain link fence.



ELEVATION AT EXPANSION GAP ②
 (Type H barrier shown, Type D barrier similar)
 Use for expansion length ≤ 125 feet for steel structure or ≤ 175 feet for concrete structure.

Alternate details for Type H Barrier

