



DADE COUNTY ROUTE D/HORSE CREEK BRIDGE REPLACEMENT

NEAR GOLDEN CITY



PROJECT FACTS

- Replace Route D bridge over Horse Creek
- Widen bridge to 24 feet
- New bridge will include new barrier walls, object markers, guardrails and permanent striping



CONSTRUCTION

- Construction to begin in 2023
- Estimated Total Cost: \$830,000



TRAFFIC IMPACTS

- Route D **CLOSED** at Horse Creek for up to six (6) months during construction
- Detour: U.S. Route 160, Route D, Route 97, Route VV

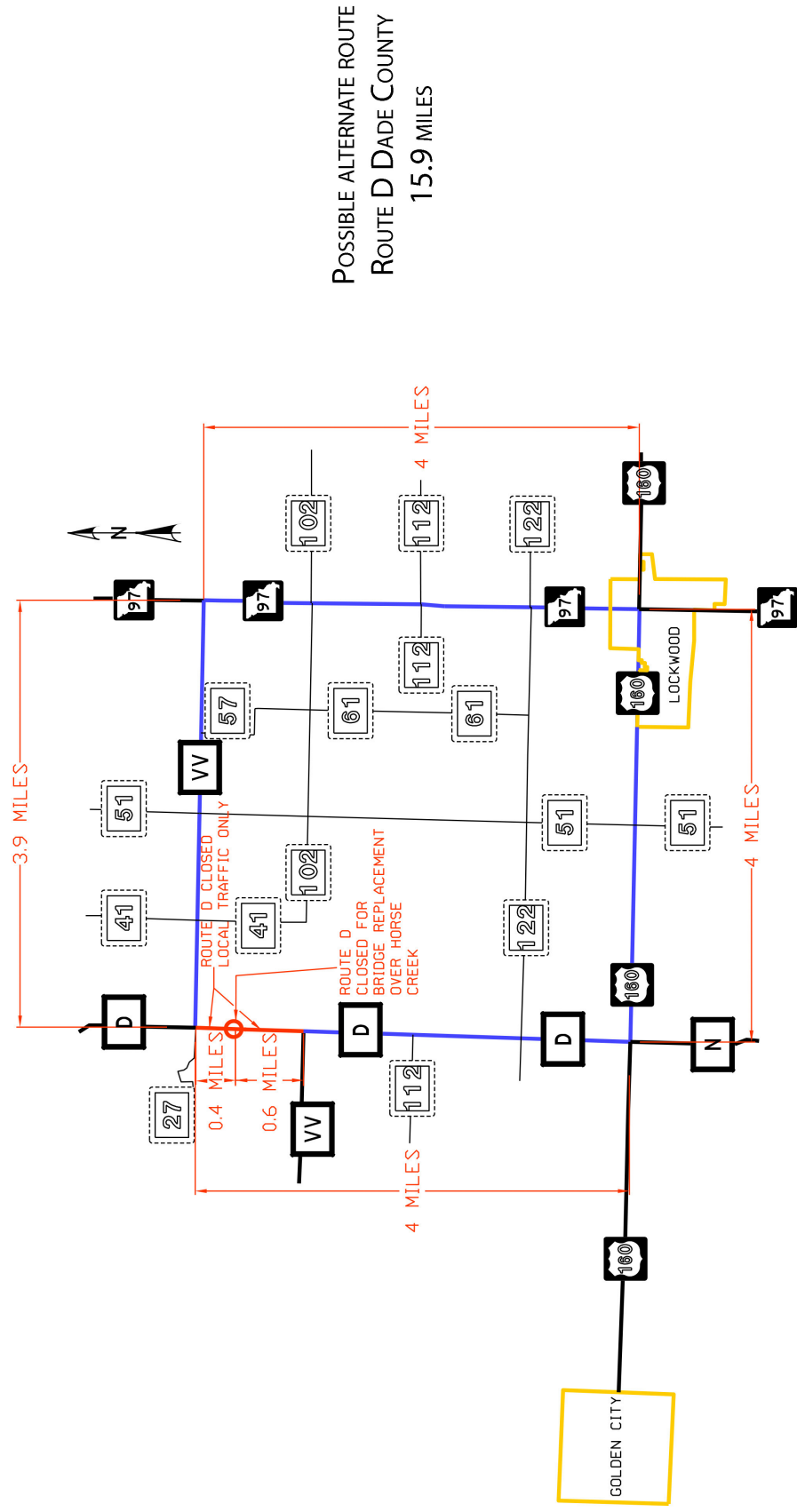


BRIDGE FACTS

- Bridge built in 1955
- Approximately 370 vehicles per day use the bridge
- Current bridge is 20 feet wide, 120 feet long

For more information, contact the MoDOT Southwest District at:
417.895.7600 tel | swcr@modot.mo.gov | www.modot.org/southwest

DADE COUNTY ROUTE D/HORSE CREEK BRIDGE REPLACEMENT DETOUR MAP



POSSIBLE ALTERNATE ROUTE
ROUTE D DADE COUNTY
15.9 MILES