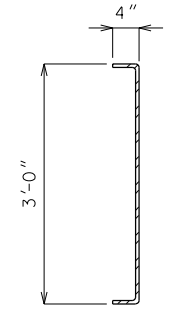
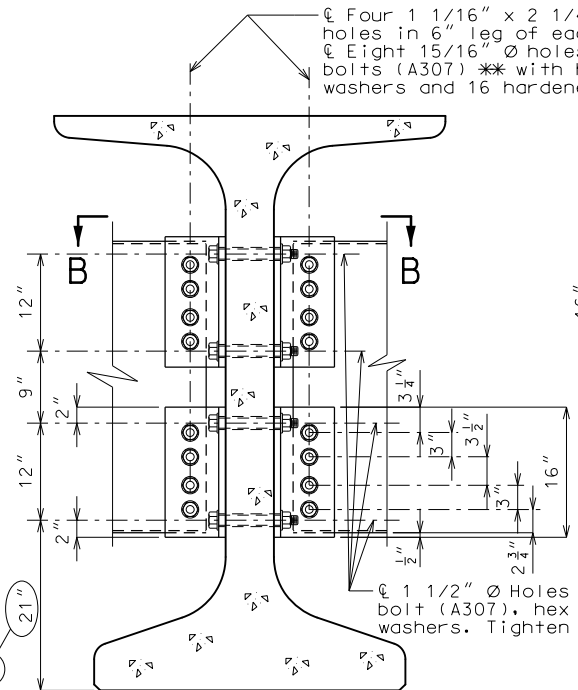


PART SECTION SHOWING INTERMEDIATE DIAPHRAGMS

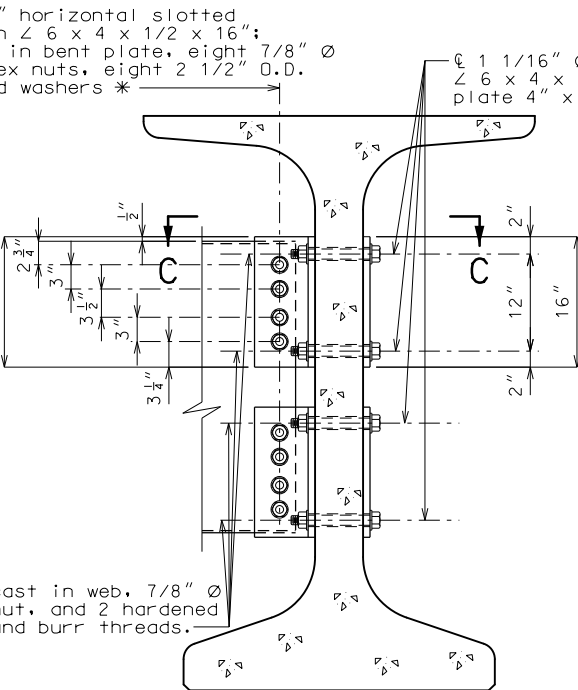


SECTION A-A

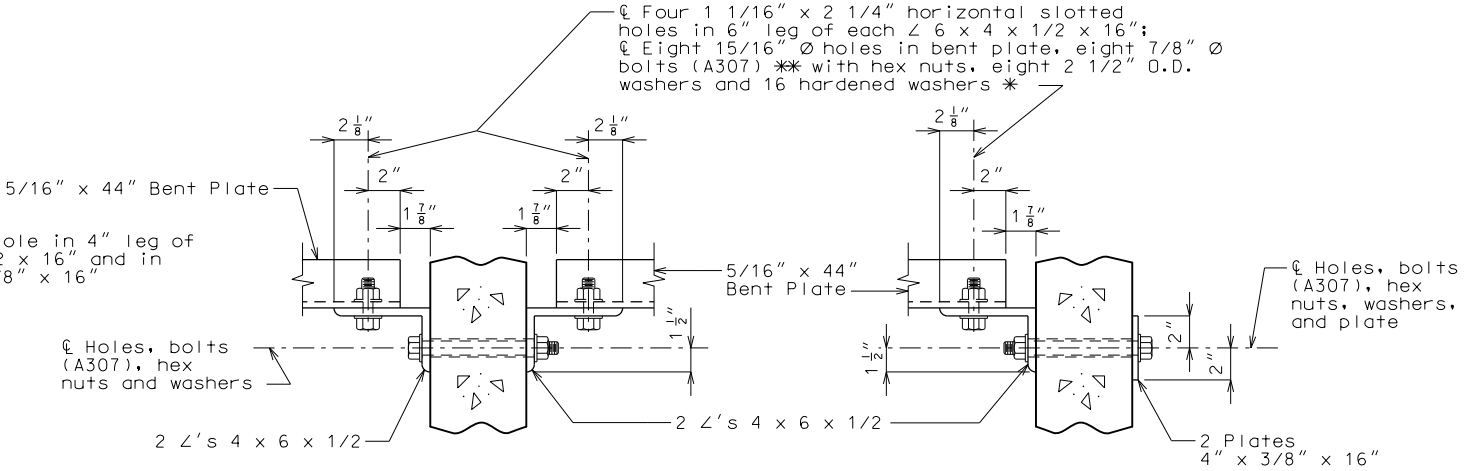
Standard Drawing Guidance (Do not show on plans):
 Check that the 1 1/2"Ø holes for the diaphragms shown on the design plans will provide a minimum clearance of at least 1 1/2" to any prestressing strands. Diaphragm spacing may need to be adjusted.
 ① Use 2'-4" for NU 78 girders
 Delete panels for CIP slab.



SECTION THRU INT. GIRDER AT DIAPHRAGM



SECTION THRU EXT. GIRDER AT DIAPHRAGM



SECTION B-B

SECTION C-C

STEEL DIAPHRAGM NOTES:

- * In lieu of 2 1/2" outside diameter washers, contractor may substitute a 3/16" (Min. thickness) plate with four 15/16" Ø holes and one hardened washer per bolt.
- ** Bolts shall be tightened to provide a tension of one-half that specified in Sec 712 for high strength bolt installation. A325 bolts may be substituted for and installed in accordance with the requirements for the specified A307 bolts.
- All diaphragm materials including bolts, nuts, and washers shall be galvanized.
- Fabricated structural steel shall be ASTM A709 Grade 36 except as noted.
- Payment for furnishing and installing steel intermediate diaphragms will be considered completely covered by the contract unit price for Steel Intermediate Diaphragm for P/S Concrete Girders.
- Shop drawings will not be required for steel intermediate diaphragms and angle connections.
- For location of intermediate diaphragms, see Sheet No. .

STEEL INTERMEDIATE DIAPHRAGM DETAILS

"THIS MEDIA SHOULD NOT BE CONSIDERED A CERTIFIED DOCUMENT."

DATE PREPARED		5/5/2020
ROUTE	STATE	MO
DISTRICT	SHEET NO.	BR *
COUNTY		
* JOB NO.		
* CONTRACT ID.		
PROJECT NO.		
BRIDGE NO. DIA10		

DESCRIPTION	DATE

MISSOURI HIGHWAYS AND TRANSPORTATION COMMISSION

105 WEST CAPITOL JEFFERSON CITY, MO 65102
 1-888-ASK-MOTD (1-888-275-6636)