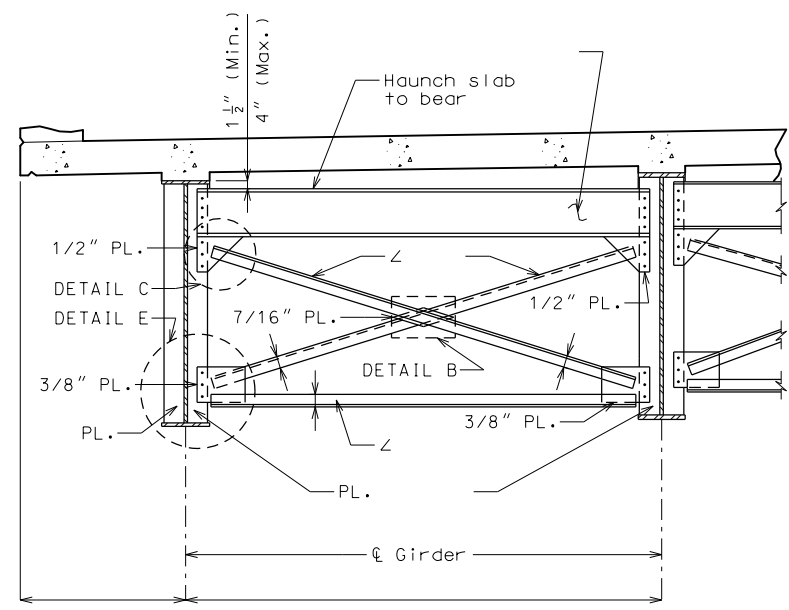


"THIS MEDIA SHOULD NOT BE CONSIDERED A CERTIFIED DOCUMENT."



TYPICAL PART SECTION SHOWING END DIAPHRAGMS

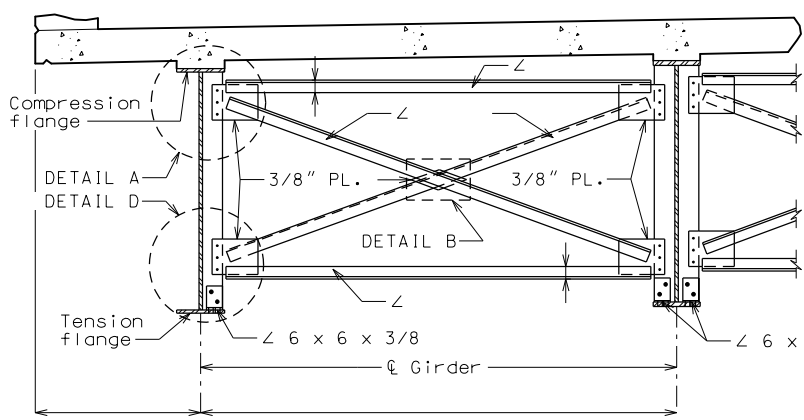
Standard Drawing Guidance (do not show on plans):

Check with Designer to verify use of Flange Connection Angles, if they are not needed turn the Bridge-Miscellaneous level off.

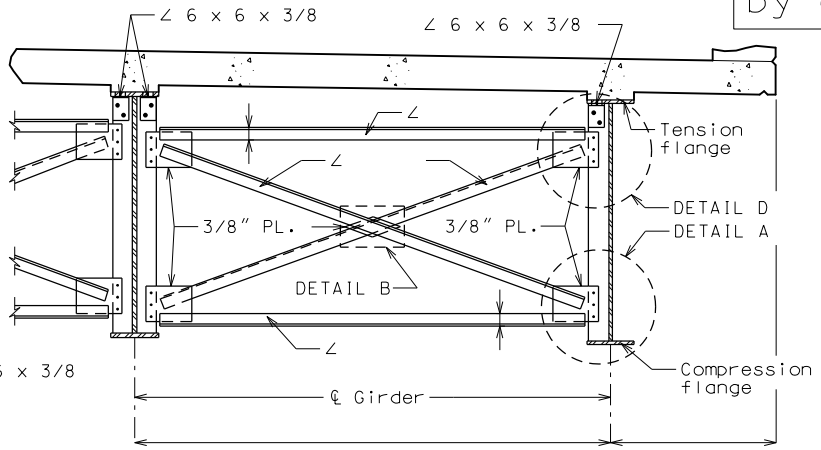
Angle size should be shown without inch (") marks on the plans.

Do not show fillet weld size unless by design and size of weld exceeds Sec 1080.

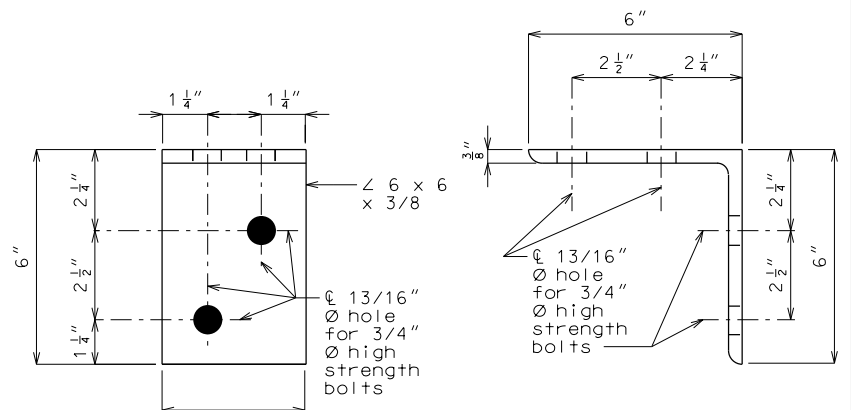
Show specialty welds information as given unless by design.



TYPICAL PART SECTION SHOWING INTERMEDIATE DIAPHRAGMS BOTTOM FLANGE IN TENSION

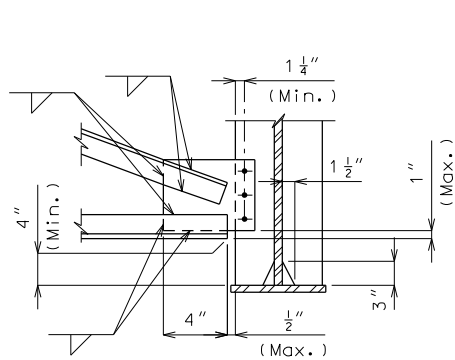


TYPICAL PART SECTION SHOWING CROSS FRAMES AND INTERMEDIATE DIAPHRAGMS TOP FLANGE IN TENSION

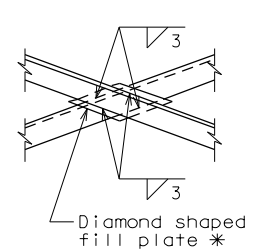


ELEVATION

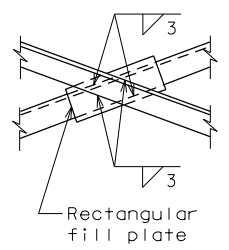
SIDE VIEW



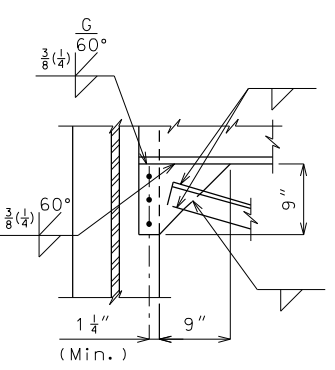
DETAIL A (DETAIL E similar)



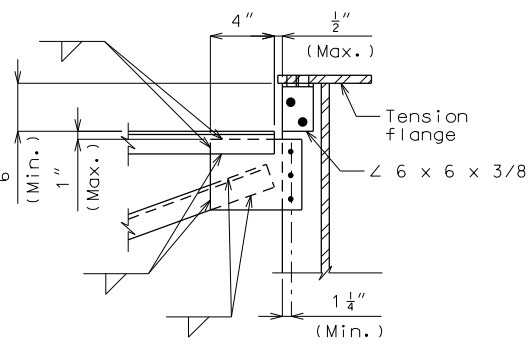
DETAIL B



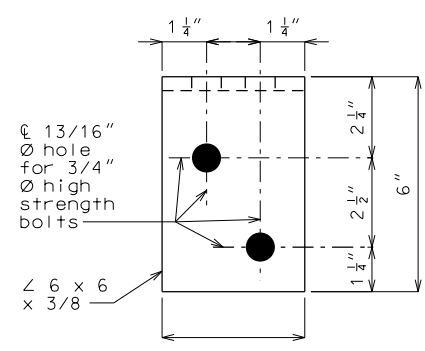
OPTIONAL DETAIL B



DETAIL C



DETAIL D



PLAN

DETAIL OF FLANGE CONNECTION ANGLE

\* At the contractor's option, rectangular fill plates may be used in lieu of diamond fill plates as shown in Optional Detail B.

DATE PREPARED 3/9/2017	
ROUTE *	STATE MO
DISTRICT BR	SHEET NO. *
COUNTY *	
JOB NO. *	
CONTRACT ID.	
PROJECT NO.	
BRIDGE NO. DIA 09	
DESCRIPTION	
DATE	

MISSOURI HIGHWAYS AND TRANSPORTATION COMMISSION  
 105 WEST CAPITOL JEFFERSON CITY, MO 65102  
 1-888-ASK-MODOT (1-888-275-6636)



IF A SEAL IS PRESENT ON THIS SHEET IT HAS BEEN ELECTRONICALLY SEALED AND DATED.