

"THIS MEDIA SHOULD NOT BE CONSIDERED A CERTIFIED DOCUMENT."

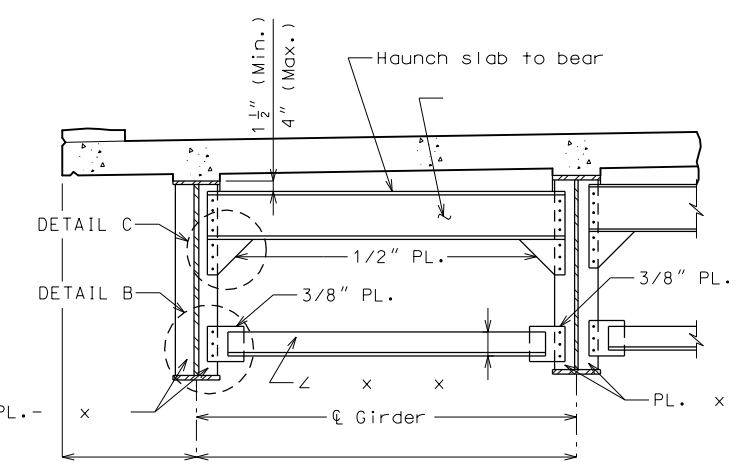
DATE PREPARED 3/9/2017	
ROUTE *	STATE MO
DISTRICT BR	SHEET NO. *
COUNTY *	
JOB NO. *	
CONTRACT ID.	
PROJECT NO.	
BRIDGE NO. DIA 07	

DATE	DESCRIPTION

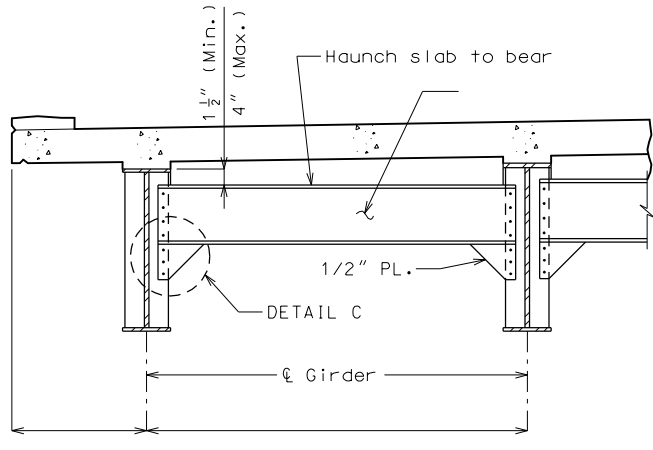
MISSOURI HIGHWAYS AND TRANSPORTATION COMMISSION

105 WEST CAPITOL
JEFFERSON CITY, MO 65102
1-888-ASK-MODOT (1-888-275-6636)

IF A SEAL IS PRESENT ON THIS SHEET IT HAS BEEN ELECTRONICALLY SEALED AND DATED.



TYPICAL PART SECTION SHOWING END DIAPHRAGMS



TYPICAL PART SECTION SHOWING END DIAPHRAGMS

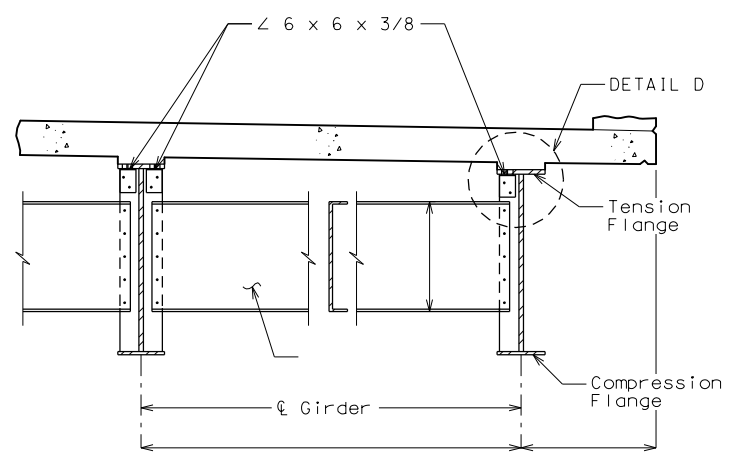
Standard Drawing Guidance (do not show on plans):

Check with Designer to verify use of Flange Connection Angles, if they are not needed turn the Bridge-Miscellaneous level off.

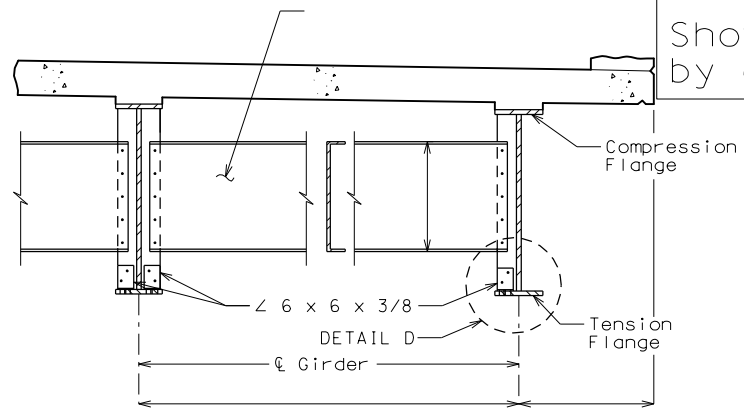
Angle size should be shown without inch (") marks on the plans.

Do not show fillet weld size unless by design and size of weld exceeds Sec 1080.

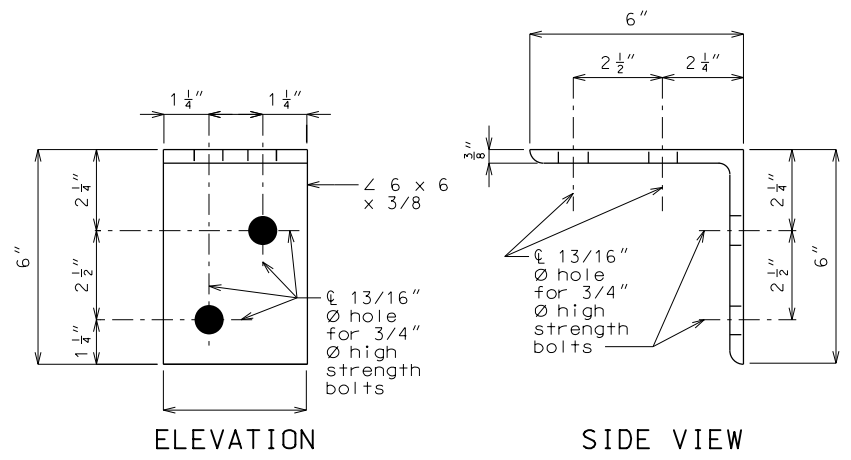
Show specialty welds information as given unless by design.



TYPICAL PART SECTION SHOWING CROSS FRAMES AND INTERMEDIATE DIAPHRAGMS TOP FLANGE IN TENSION

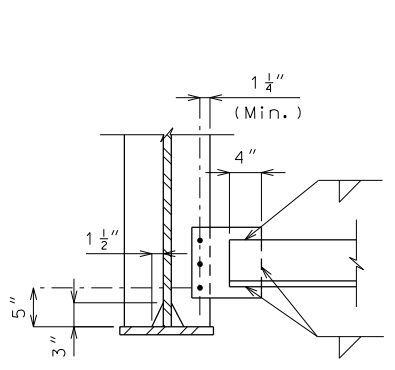


TYPICAL PART SECTION SHOWING INTERMEDIATE DIAPHRAGMS BOTTOM FLANGE IN TENSION

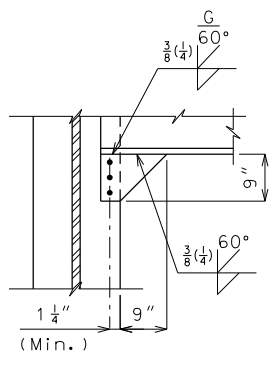


ELEVATION

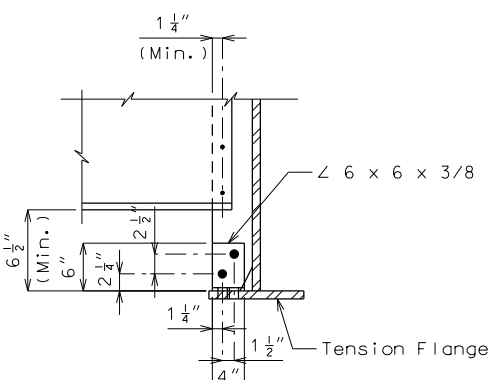
SIDE VIEW



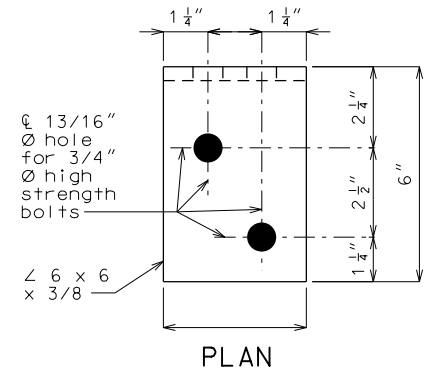
DETAIL B



DETAIL C



DETAIL D



PLAN

DETAIL OF FLANGE CONNECTION ANGLE

Note: The two 3/4" Ø H.S. bolts that connect the 6 x 6 x 3/8 angle to the top flange shall be placed so the nut is on the inside of flange (toward the web).