

# COLE COUNTY ROUTE 50E TO 54E OVER US 50

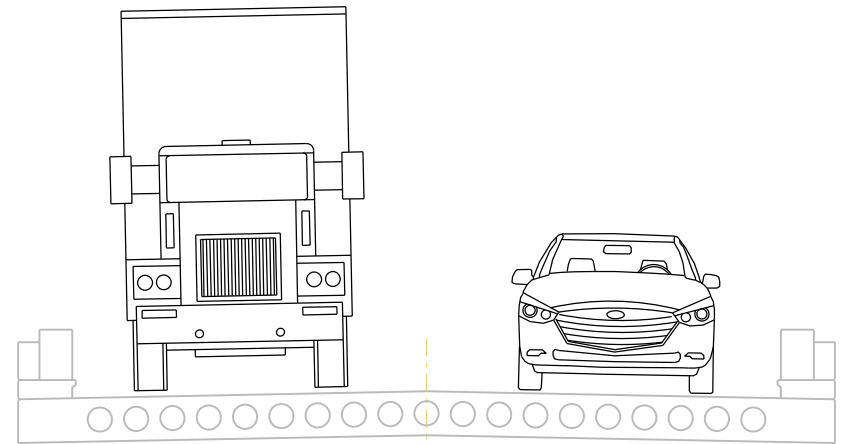
## EXISTING BRIDGE



## EXISTING BRIDGE FACTS

- ROUTE 50/54 - BRIDGE # A1419
- Existing Bridge was Constructed in 1964
  - Width = 29'
  - Length = 171'

## PROPOSED BRIDGE TYPICAL SECTION



## PROPOSED BRIDGE FACTS

- ROUTE 50/54 - BRIDGE # A14192
- Construction Year 2023
  - Match Existing Length and Width
  - Bridge Deck Repairs and Overlay

## PROJECT FACTS:

- Bridge location is approximately 0.4 miles South of the Missouri River in Jefferson City.
- Existing Bridge was constructed in 1964 and has reached a condition requiring its rehabilitation.

## TRAFFIC IMPACTS:

- Bridge will be closed during construction.
- Closed up to 1 month during construction.
- Alternate routes available during closure.