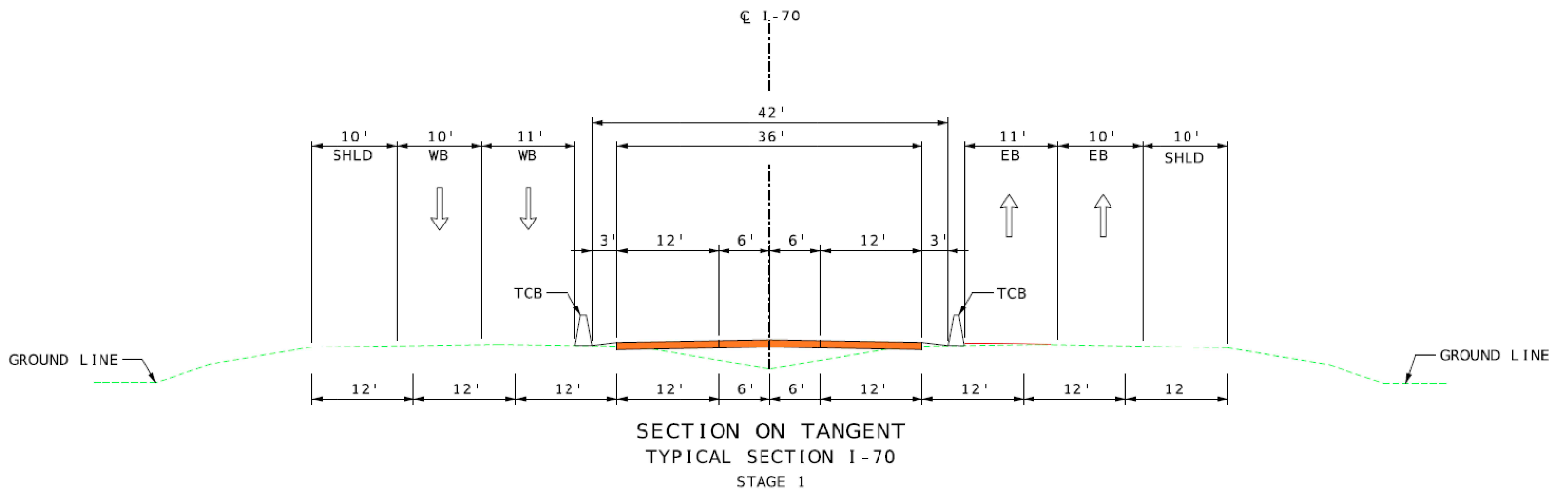
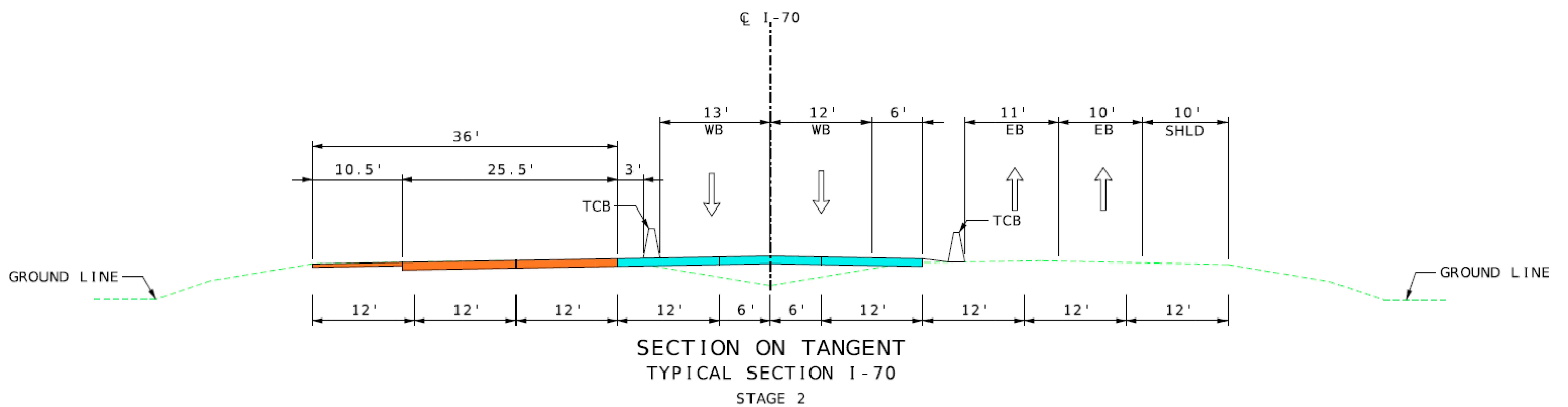


I-70 Construction – Stage 1



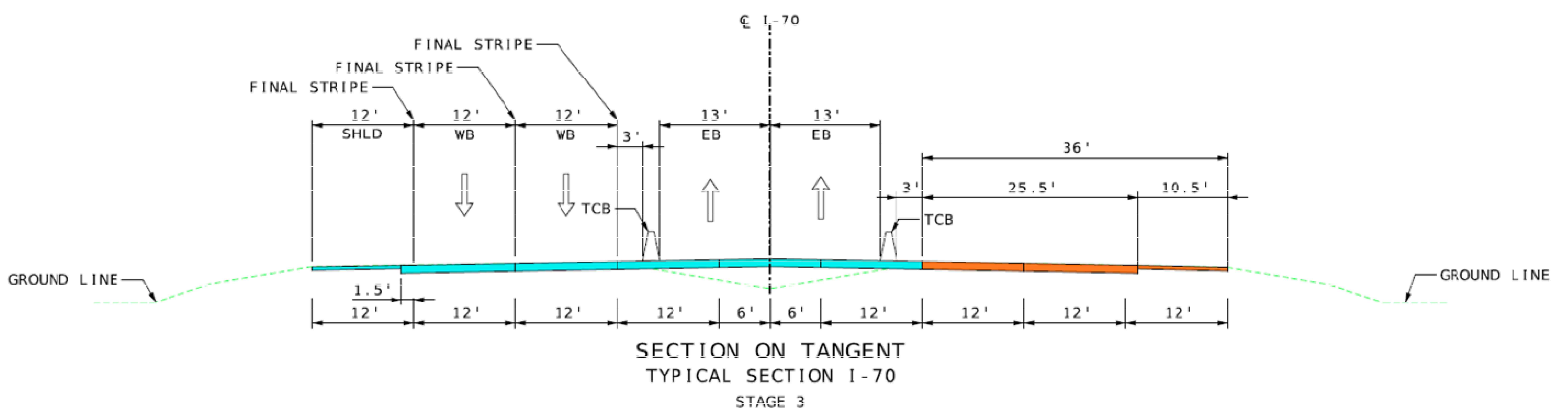
- Narrow the lanes both EB and WB to create more space in the median
- Construct the median area

I-70 Construction – Stage 2



- Move WB traffic to the median area
- Construct the remaining WB lanes

I-70 Construction – Stage 3



- Move WB traffic back to the WB side
- Move EB traffic to the median area
- Construct the remaining EB