

Blade Raiser



Description

A two-wheel dolly is modified with a top plate and threaded hand tighteners.

Benefit

This innovation makes installing and removing plow and grader blades a one-person job. Securely attached to the dolly, the blade can be moved with less risk of back, foot or hand injuries. This also frees the floor jack for other jobs in the shop.

Parts and Labor

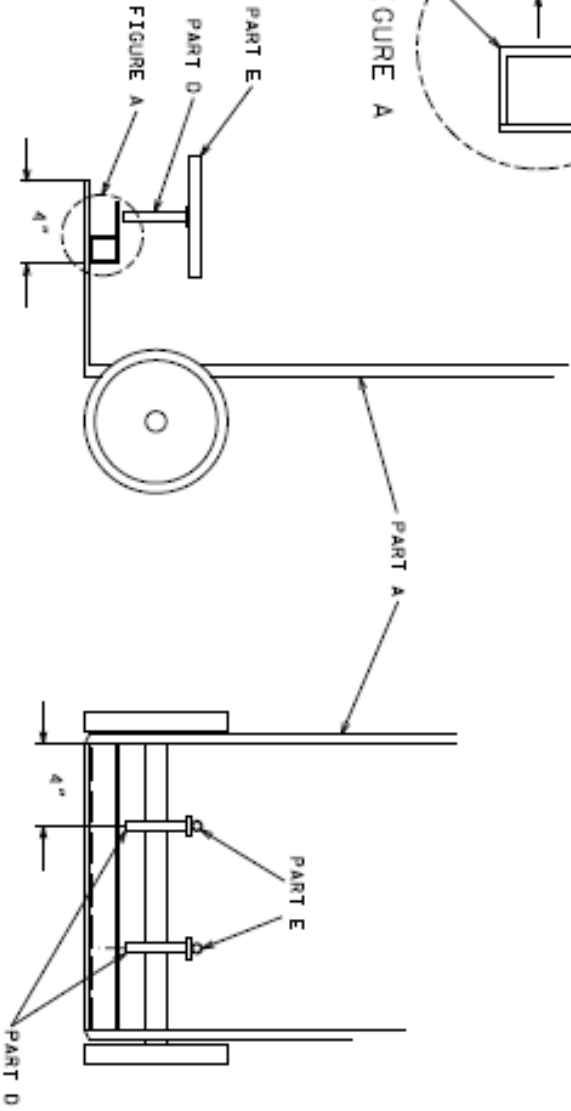
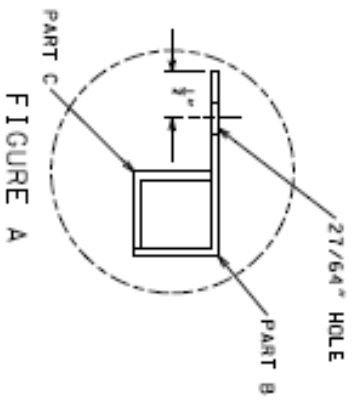
See shop drawings on page 2 for complete parts list.

Total: \$65

Labor: 30 minutes

For More Information

Contact Steve Fisher at (573) 484-3541. Additional photos can be seen by accessing the Innovations Challenge homepage at <http://wwwi/intranet/cr/SolutionsAtWork/Innovations.htm>.



- MATERIALS:**
- A - STEEL DOLLY
 - B - 1-1/2" X 3" X 1/4" ANGLE
 - C - 1-1/4" X 1-1/4" X 1/4" ANGLE
 - D - 1" X 3" BOLT X 2
 - E - 1/2" X 12" REBAR

- TO ASSEMBLE:**
1. BOX TOGETHER PARTS B AND C AS SHOWN IN FIGURE A.
 2. DRILL TWO 27/64" HOLES AS SHOWN IN FIGURE A AND WELD TOGETHER.
 3. TAP THE HOLES WITH 1/4" TAP.
 4. GRIND THE SURFACE FOR THE ATTACHMENT OF PARTS B AND C TO PREPARE THE SURFACE FOR THE ATTACHMENT OF PARTS B AND C TO PREPARE
 5. WELD PARTS B AND C ONTO THE LIFT SIDE OF THE DOLLY 4" IN
 6. CUT THE 12" REBAR INTO 2 - 6" PIECES
 7. CENTER AND WELD PART E ONTO PART D AS SHOWN

CONCEPT BY: STEVE FISHER
DRAWN BY: LOU CREAMER

MISSOURI HIGHWAYS AND TRANSPORTATION COMMISSION

100 MOST CAPITAL
JEFFERSON CITY, MO 65102
1-800-455-6000 (1-800-455-6000)

DATE	3/7/2012
TIME	
BY	
CHECKED	
DESIGNED	
INCHES	
CONTRACT NO.	
PROJECT NO.	
SHEET NO.	

THIS SHEET BEING ONE OF THE SHEETS OF A PROJECT, THE CONTRACTOR SHALL BE RESPONSIBLE FOR THE CORRECTNESS OF THE INFORMATION HEREON.