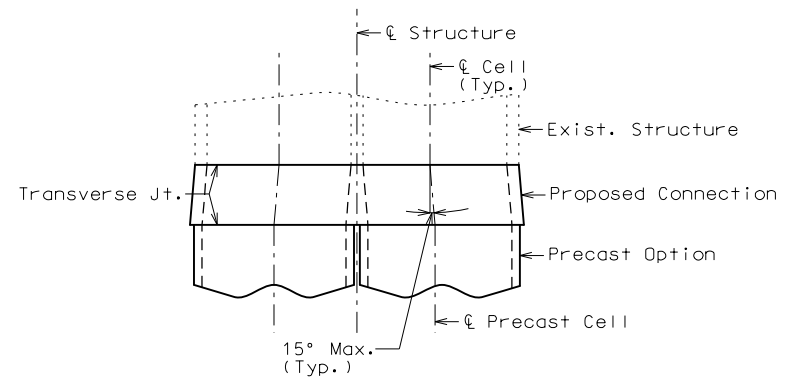
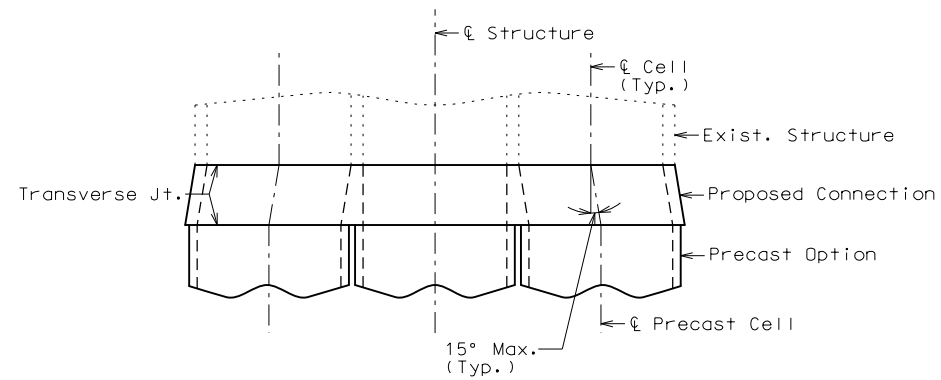


Standard Drawing Guidance (do not show on plans):
Delete all details shown that are not applicable to project.



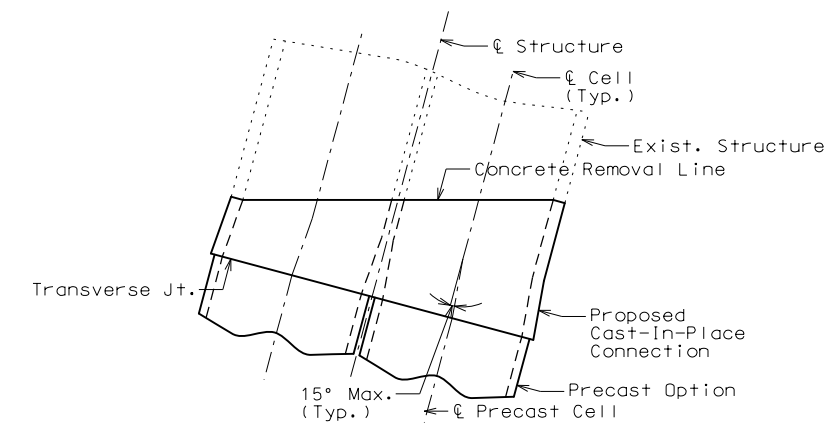
PLAN OF PRECAST BOX CULVERT OPTION

Note:
If precast concrete box culvert option is selected by the contractor, the ℓ of existing cell from ℓ of precast cell shall not be more than 15° offset in plan view.



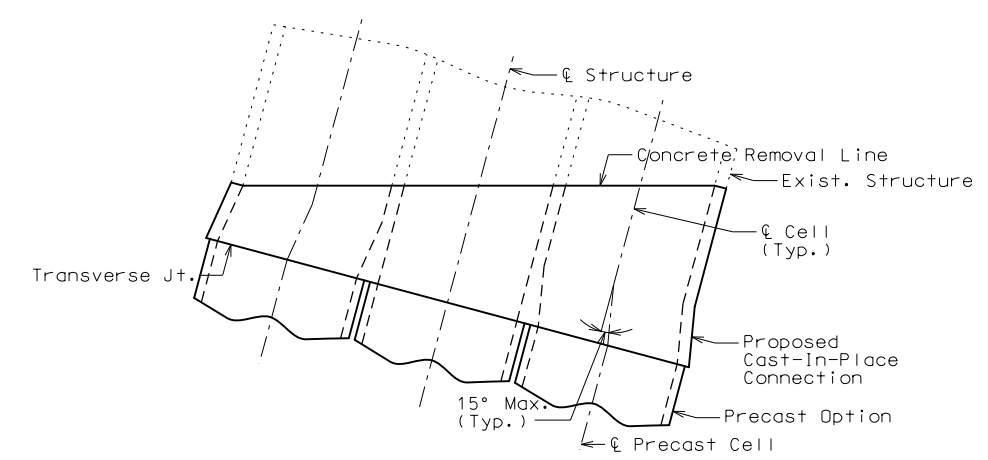
PLAN OF PRECAST BOX CULVERT OPTION

Note:
If precast concrete box culvert option is selected by the contractor, the ℓ of existing cell from ℓ of precast cell shall not be more than 15° offset in plan view.



PLAN OF PRECAST BOX CULVERT OPTION

Note:
If precast concrete box culvert option is selected by the contractor, the ℓ of existing cell from ℓ of precast cell shall not be more than 15° offset in plan view.



PLAN OF PRECAST BOX CULVERT OPTION

Note:
If precast concrete box culvert option is selected by the contractor, the ℓ of existing cell from ℓ of precast cell shall not be more than 15° offset in plan view.

"THIS MEDIA SHOULD NOT BE CONSIDERED A CERTIFIED DOCUMENT."

DATE PREPARED 3/8/2021	
ROUTE *	STATE MO
DISTRICT BR	SHEET NO. *
COUNTY *	
JOB NO. *	
CONTRACT ID.	
PROJECT NO.	

BRIDGE NO.
BXC15

DATE	DESCRIPTION

MISSOURI HIGHWAYS AND TRANSPORTATION COMMISSION

105 WEST CAPITOL
JEFFERSON CITY, MO 65102
1-888-ASK-MODOT (1-888-275-6636)

IF A SEAL IS PRESENT ON THIS SHEET IT HAS BEEN ELECTRONICALLY SEALED AND DATED.