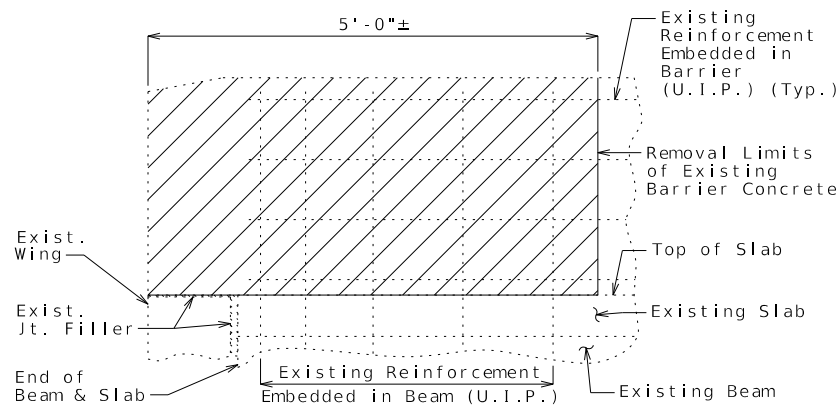


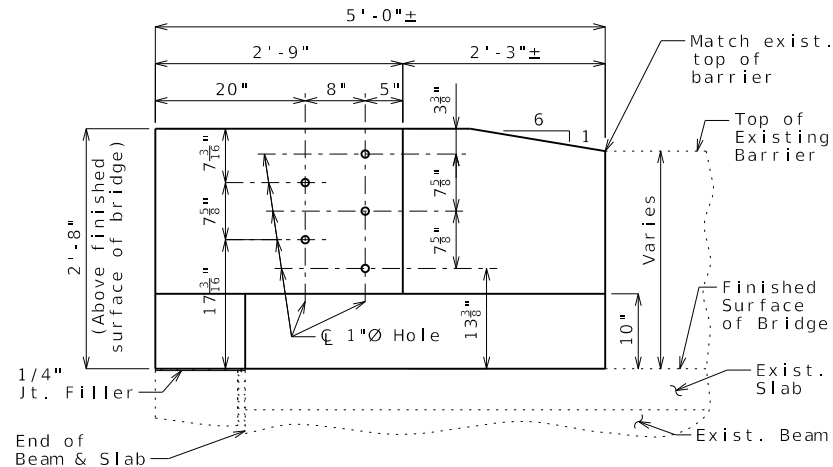
U.I.P. & REHABILITATE EXISTING (x', x') X SPANS

No Wearing Surface

Guidance: (Do not show on plans.)
 Substitute alternate Plan for skewed structures.
 Modify details as needed to suit your structure.
 Use with BEM01-2 & BEM01-3 (Bill of Reinforcing Steel).



PART ELEVATION SHOWING CONCRETE REMOVAL



ELEVATION

Estimated Quantities		
Item	each	Total
Barrier End Modification	4	4

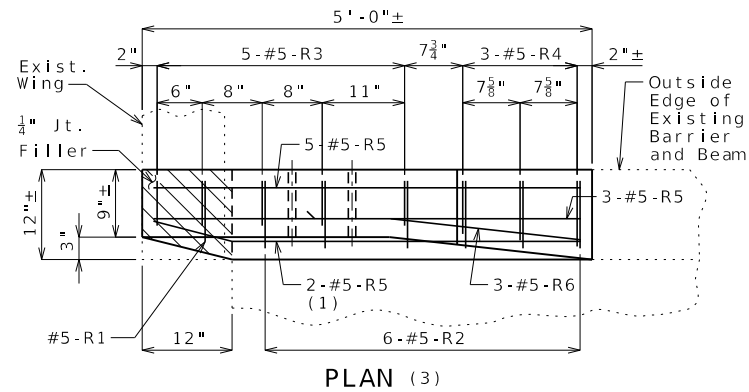
DATE PREPARED 5/7/2024	
ROUTE	STATE MO
DISTRICT	SHEET NO. 000
COUNTY	
JOB NO.	
CONTRACT ID.	
PROJECT NO.	
BRIDGE NO.	

DATE	DESCRIPTION

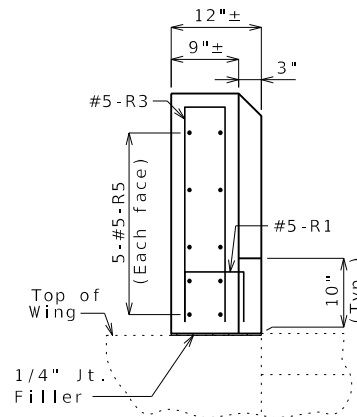
MISSOURI HIGHWAYS AND TRANSPORTATION COMMISSION

105 WEST CAPITOL JEFFERSON CITY, MO 65102 1-888-ASK-MODOT (1-888-275-6636)

REPAIRS TO BRIDGE:
 ROUTE _ OVER
 ROUTE _ FROM ROUTE _ TO ROUTE _
 ABOUT _ MILES _ OF ROUTE _
 BEGINNING STATION x+x.x± (MATCH EXISTING)

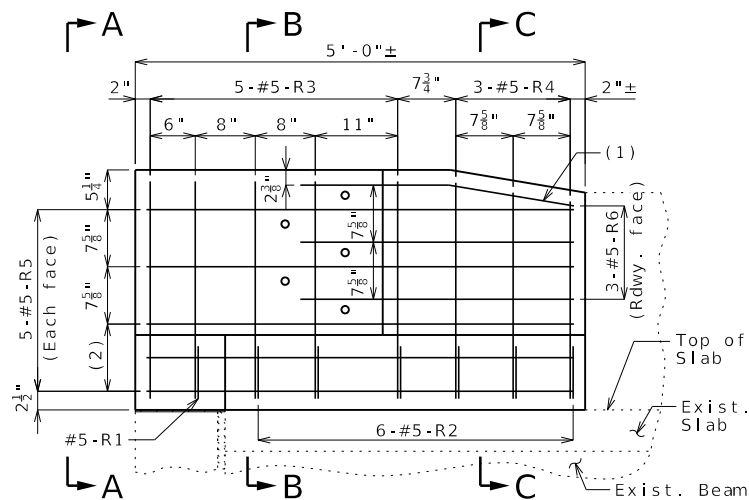


PLAN (3)

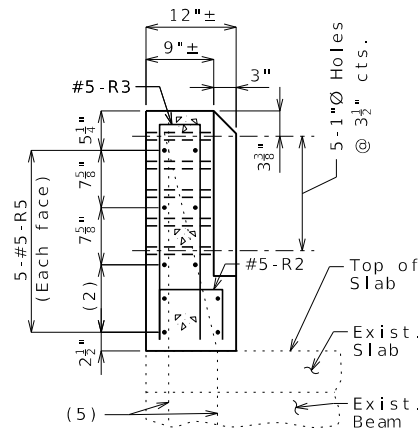


ELEVATION A-A

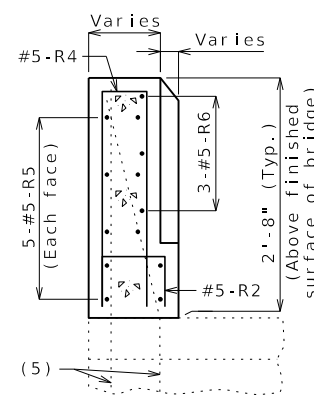
- (1) Bend in field.
- (2) 2 Spa. @ 4 1/2"
- (3) Existing reinforcement not shown for clarity.
- (4) Existing longitudinal reinforcement not shown for clarity.
- (5) Existing reinforcement embedded in beam (U.I.P.) (Bend in field as needed) (Typ.)



ELEVATION SHOWING REINFORCEMENT (3)



SECTION B-B (4)



SECTION C-C (4)

BARRIER MODIFICATION FOR GUARDRAIL ATTACHMENT

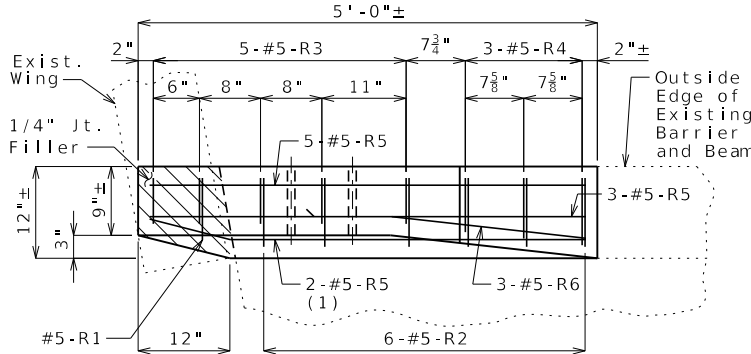
Note: This drawing is not to scale. Follow dimensions.

Sheet No. 1 of 2

Detailed Checked

REPAIRS TO BRIDGE:
 ROUTE _ OVER

ROUTE _ FROM ROUTE _ TO ROUTE _
 ABOUT _ MILES _ OF ROUTE _
 BEGINNING STATION x+x.x± (MATCH EXISTING)



Skewed Plan