

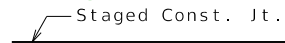


# APP06\_major\_sq\_n Guidance and Alternate Details

Standard Drawing Guidance (do not show on plans):

See Structural Project Manager or Liaison for preference on revising details as follows to specify staged construction.

① Show & call out any required staged construction joints.



② Show any required construction joints and show and call out any mechanical bar splices.

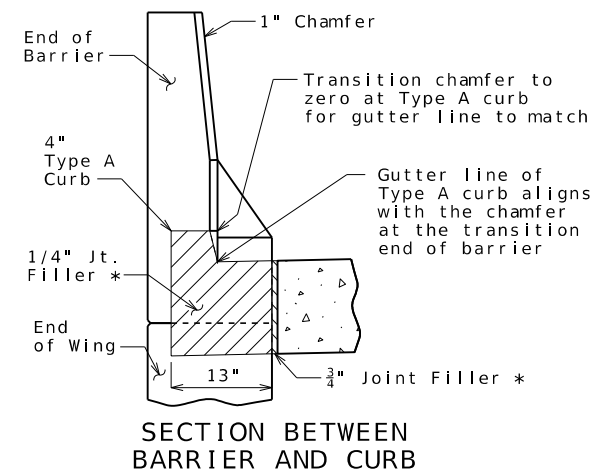
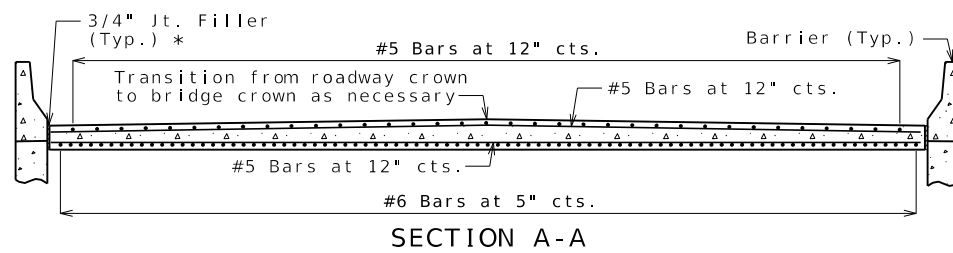


③ When mechanical bar splices are required due to staged construction, add the following after the indicated note:  
(Estimated \_\_\_ splices per slab)

Input the estimated number of required mechanical bar splices including those in the sleeper slab.

④ See Notes K1.11 and K1.12 in EPG 751.50 for wording of notes when semi-deep abutments are used.

⑤ If the end of a wing wall extends beyond the end of the bridge approach slab, it will be necessary to revise the length of the sleeper slab shown and to redirect the perforated drain pipe adjacent to the sleeper slab to go under the sleeper slab and then turn to daylight. This should be nonperforated drain pipe at this point.



## ALTERNATE DETAILS FOR TYPE B BARRIER (SBC)