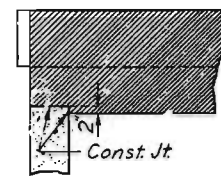
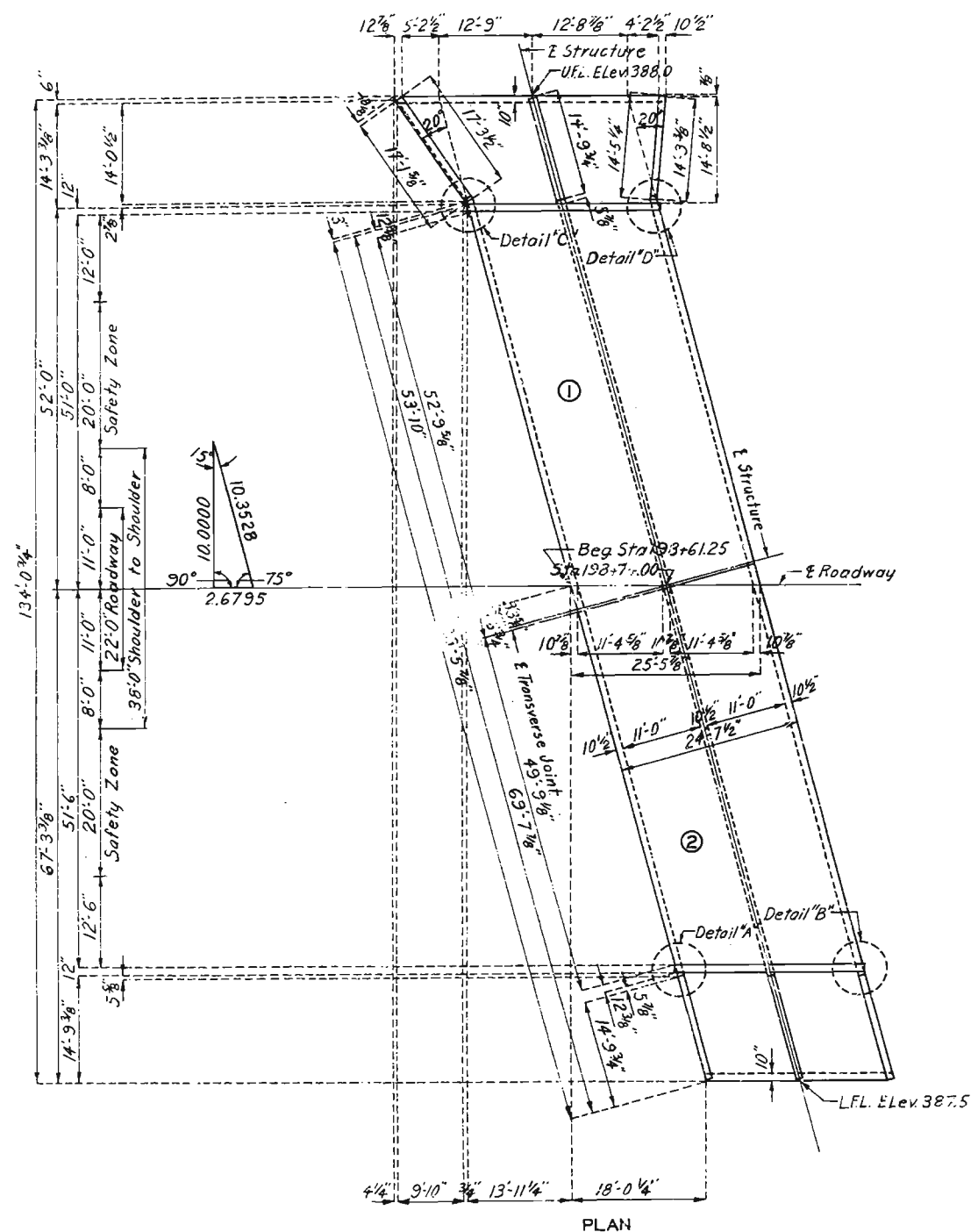


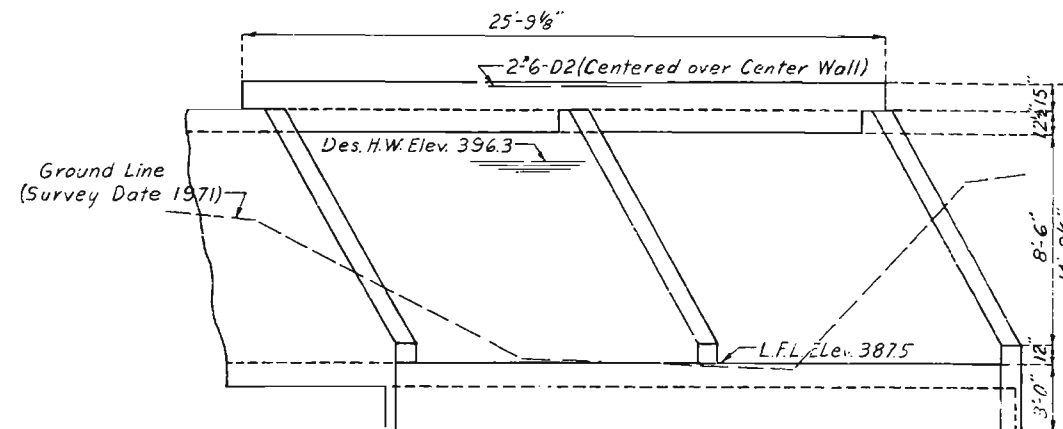
MISSOURI STATE HIGHWAY DEPARTMENT

FED. ROAD DIST. NO.	STATE	FED. AID PROJ. NO.	FISCAL YEAR	SHEET NO.	TOTAL SHEETS
5	MO.		19	41	

E Sta 198+74.00  
 E Gr. Elev. 406.08  
 Fill @ E 7.78'



SECTION F-F

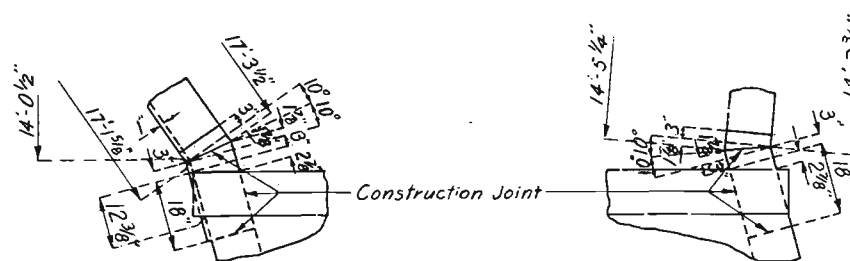


END ELEVATION (Downstream)



DETAIL "A"

DETAIL "B"

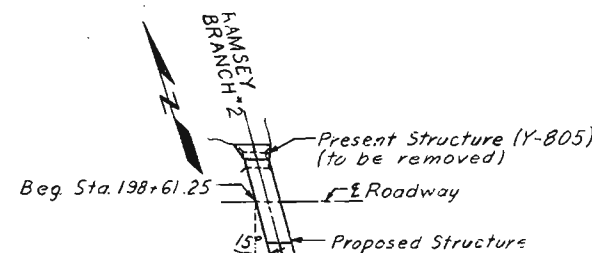


DETAIL "C"

DETAIL "D"

**GENERAL NOTES:**  
 Design Specifications: A.A.S.H.O.-1973  
 Design Loading: H 20-44  
 Earth 120' Equivalent Fluid Pressure 30"  
 Design Unit Stresses:  
 Class B Concrete  $f_c = 1,200$  psi  
 Reinforcing Steel  $f_s = 20,000$  psi  
 Note: Minimum clearance to reinforcing steel shall be 1/2" unless otherwise shown.

ESTIMATED QUANTITIES		FINAL
Removal of Bridges	Each	1
Class 3 Excavation	Cu.Yd.	405
Class B Concrete	Cu.Yd.	382.0
Reinforcing Steel	Lb.	41,210



LOCATION SKETCH

Drainage Area: 1.8 Sq. Miles (Hilly)  
 Design Discharge: 1650 cfs.  
 Design Frequency: 50 years

B.M. 22 - EXISTING MINOR CYPRESS BUSH STA. 197.05

**BRIDGE OVER RAMSEY BRANCH NO. 2**  
 STATE ROAD FROM GORDONVILLE TO CAPE GIRARDEAU  
 ABOUT 1.8 MILE W. OF CAPE GIRARDEAU  
 PROJECT NO. RS-746 (8) STA. 198+61.25  
 JOB NO. 10-S-K-53 RTE. K  
 CAPE GIRARDEAU COUNTY

208

DESIGNED Dec. 1973  
 DETAILED Jan 1974  
 CHECKED April 1974

Note: This drawing is not to scale. Follow dimensions.

Sheet No. 1 of 5 SEE FINAL PLANS

DATE 7-22-74

STD. 706.30A

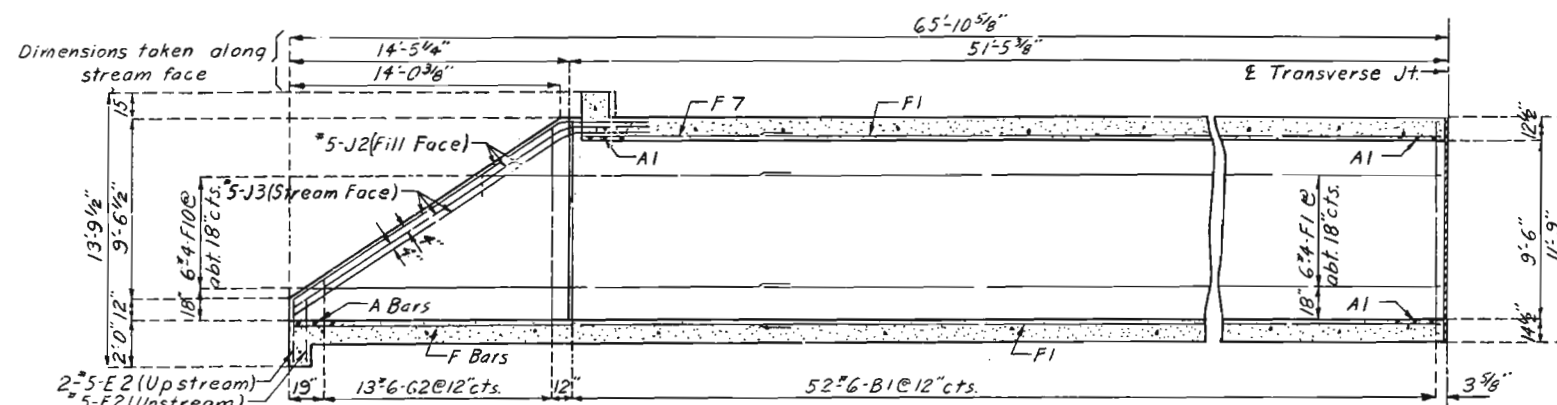
A-3251



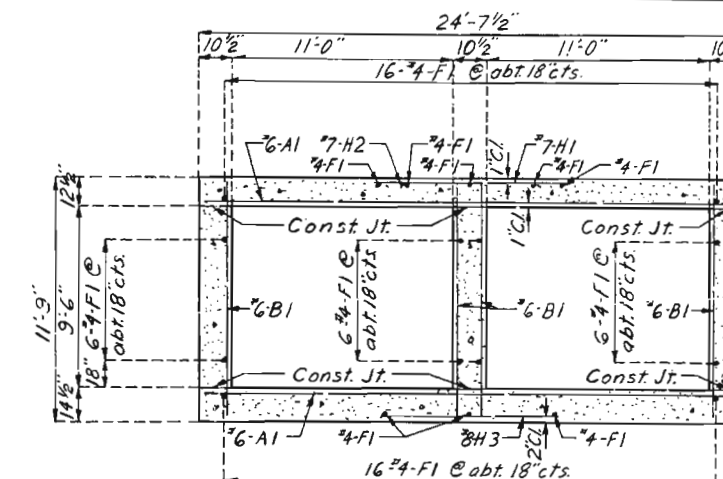


# MISSOURI STATE HIGHWAY DEPARTMENT

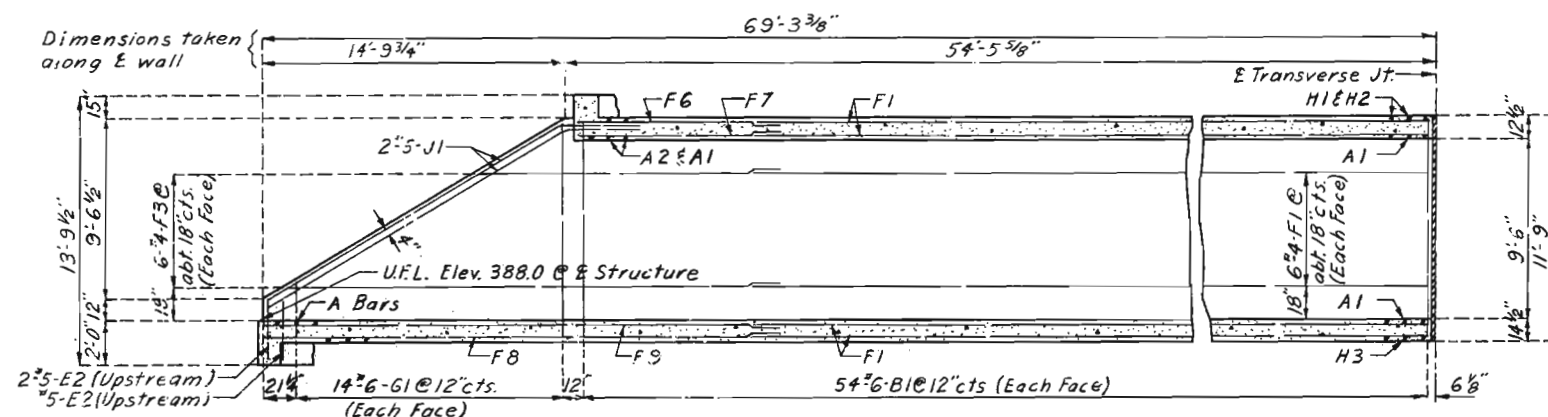
FED. ROAD DIST. NO.	STATE	FED. AID PROJ. NO.	FISCAL YEAR	SHEET NO.	TOTAL SHEETS
5	MO.		73	44	



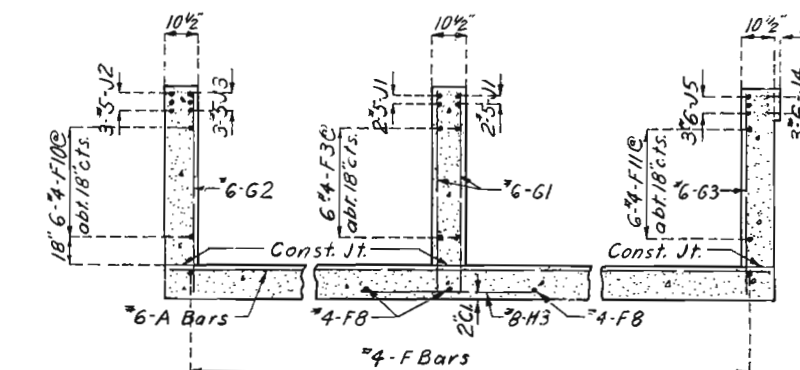
DEVELOPED SECTION J-J



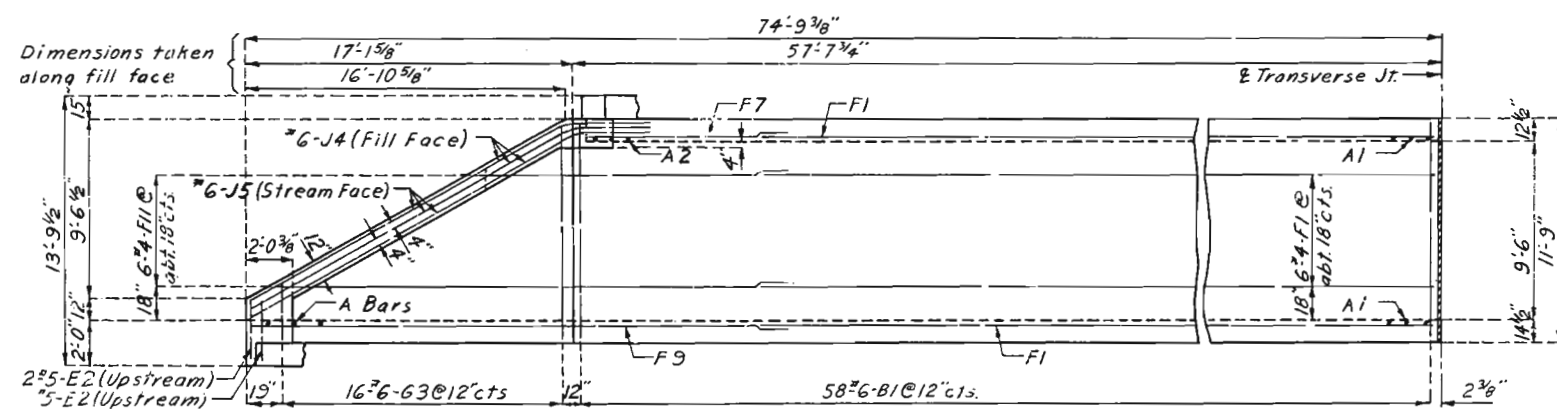
SECTION G-G



SECTION K-K

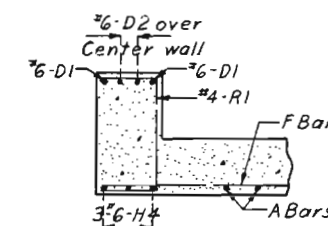


SECTION H-H

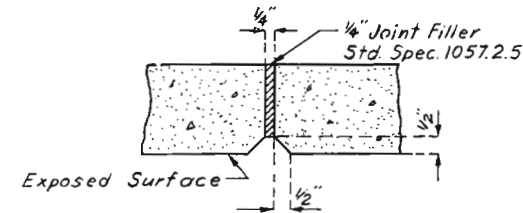


DEVELOPED ELEVATION L-L

Note: See sheet No. 3 of 5 for location of Elev. L-L and Sections G-G, H-H, I-I, J-J and K-K.



SECTION I-I



DETAIL OF FILLED TRANSVERSE JOINTS

SECTION ①

211

DETAILED Feb. 1974  
CHECKED April 1974

Note: This drawing is not to scale. Follow dimensions.

Sheet No. 4 of 5

CAPE GIRARDEAU COUNTY

A-3251



