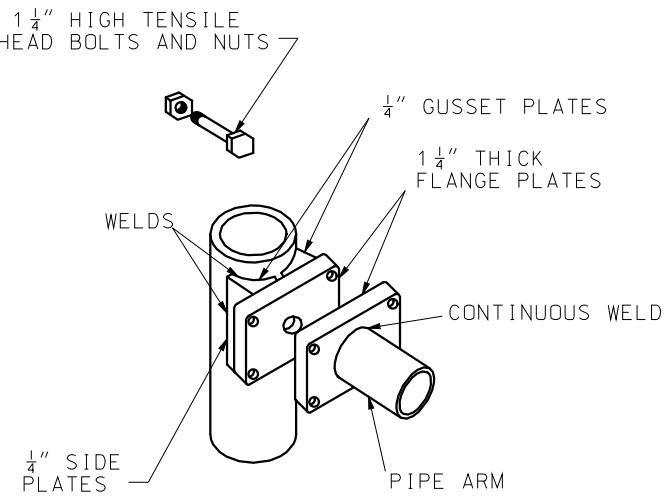


TYPE NUMBER	DIAMETER	ESTIMATED QUANTITIES				REINFORCING STEEL			
		CU YD CLASS B CONCRETE FOOTING							
		FD SECTION		FB SECTION		#5	#4 (1)	TOTAL	
C-1710	2'	4'	0.11635	0.0097	1' DEPTH	1" DEPTH	NO. FT-IN	NO. FT-IN	LBS
C-1310	2'	4'	0.11635	0.0097	0.2645	0.0220	6 7'-6"	9 5'-7"	81

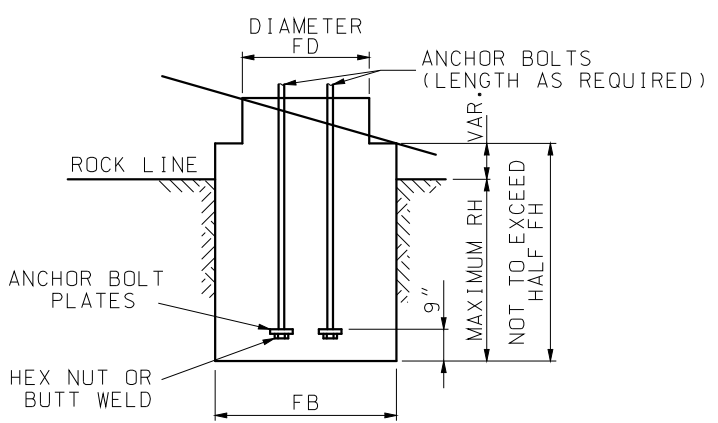
(1) ESTIMATED QUANTITY FOR REINFORCING STEEL IS BASED ON A 2:1 (H:V) SLOPE.

TYPE NUMBER	ANCHOR BOLT DIA.	ANCHOR BOLT PLATE	MODIFIED FOOTING IN SOLID ROCK			CLASS B CONCRETE FOOTING FB SECTION CU. YD.	
			FOOTING			1' DEPTH	1" DEPTH
			RH	FD	FB		
C-1710 & C-1310	1 1/2"	3 1/2" x 3 1/2" x 3/4"	2'-6"	2'-0"	3'-0"	1904	0159
C-2315	2"	3 1/2" x 3 1/2" x 3/4"	3'-0"	3'-0"	3'-6"	3173	0264
C-2318	2"	3 1/2" x 3 1/2" x 3/4"	3'-6"	3'-6"	3'-6"	3563	0297
C-2018	2 1/4"	4 1/2" x 4 1/2" x 3/4"	3'-6"	3'-6"	3'-6"	3563	0297

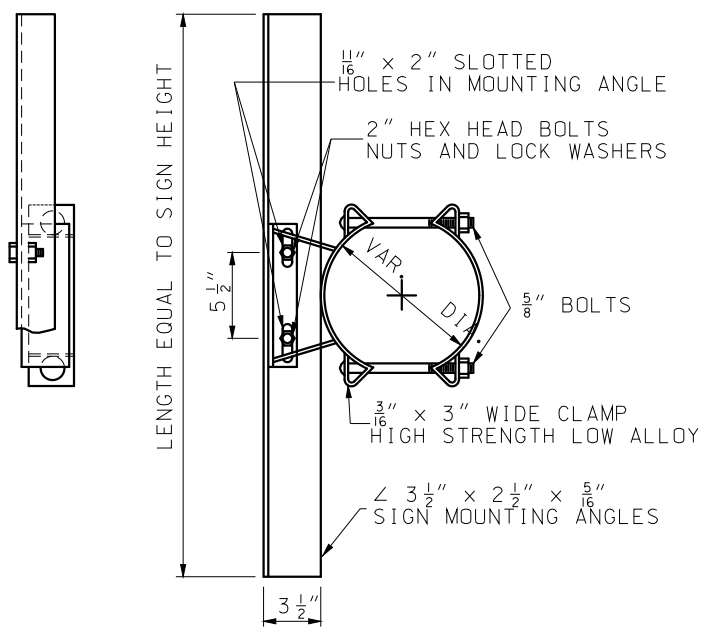


FOR POLE DIAMETER UNDER 12" ARM ATTACHMENT

GENERAL NOTE:
ALL SIGNS SHALL BE CENTERED VERTICALLY ABOUT THE HORIZONTAL CL OF THE ARM.



MODIFIED FOOTING IN SOLID ROCK



GALVANIZED SIGN BRACKET ASSEMBLY

MoDOT MISSOURI HIGHWAYS AND TRANSPORTATION COMMISSION
105 WEST CAPITOL JEFFERSON CITY, MO 65102
1-888-ASK-MODOT (1-888-275-6636)

STATE OF MISSOURI
EILEEN H. RACKERS
NUMBER PE-28338
PROFESSIONAL ENGINEER

THIS SHEET HAS BEEN SIGNED, SEALED AND DATED ELECTRONICALLY.

HIGHWAY SIGNING TUBULAR SUPPORT STEEL TYPE C

DATE EFFECTIVE: 10/01/2016
DATE PREPARED: 8/11/2016

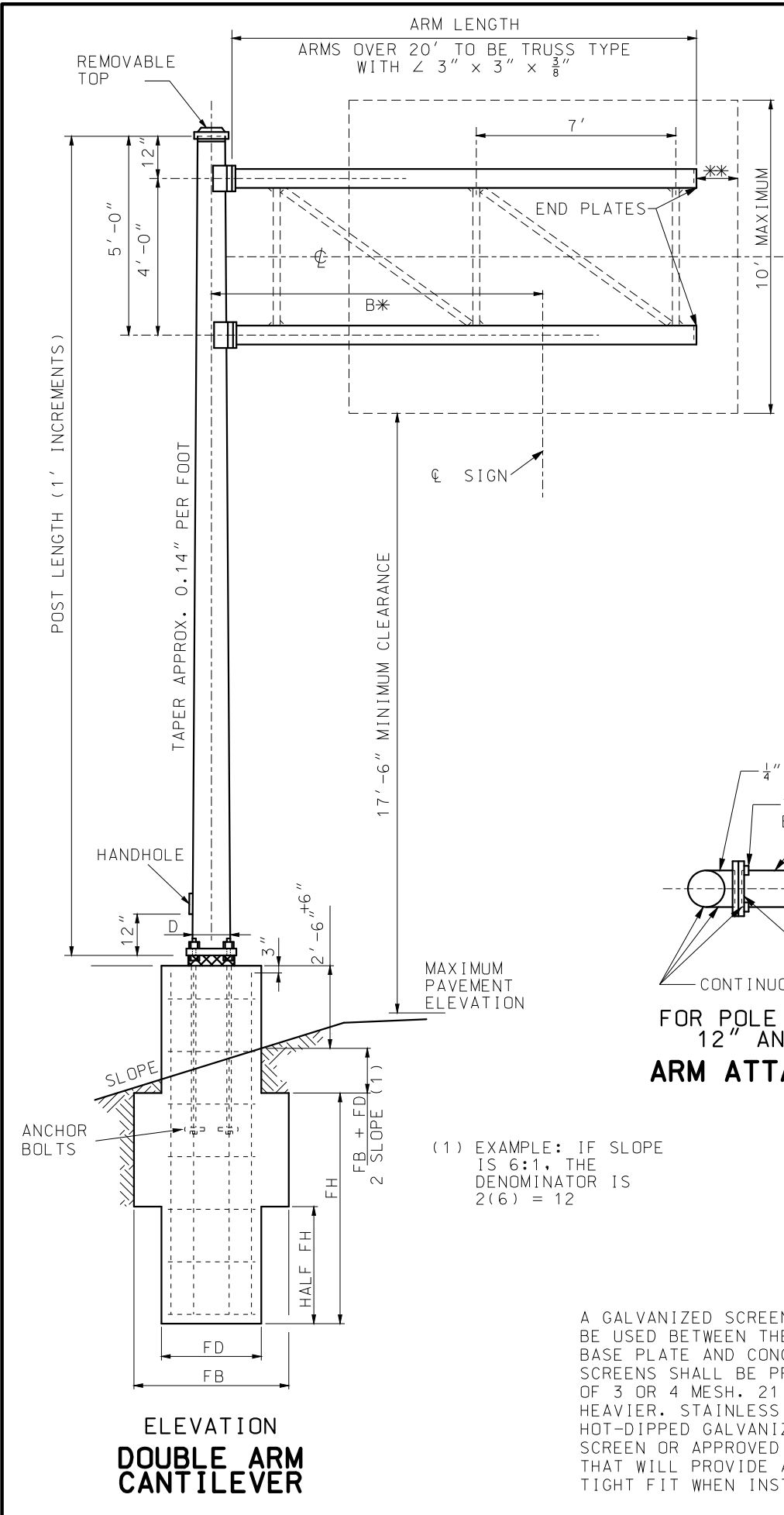
903.07J

SHEET NO. 1 OF 2

SINGLE ARM CANTILEVER

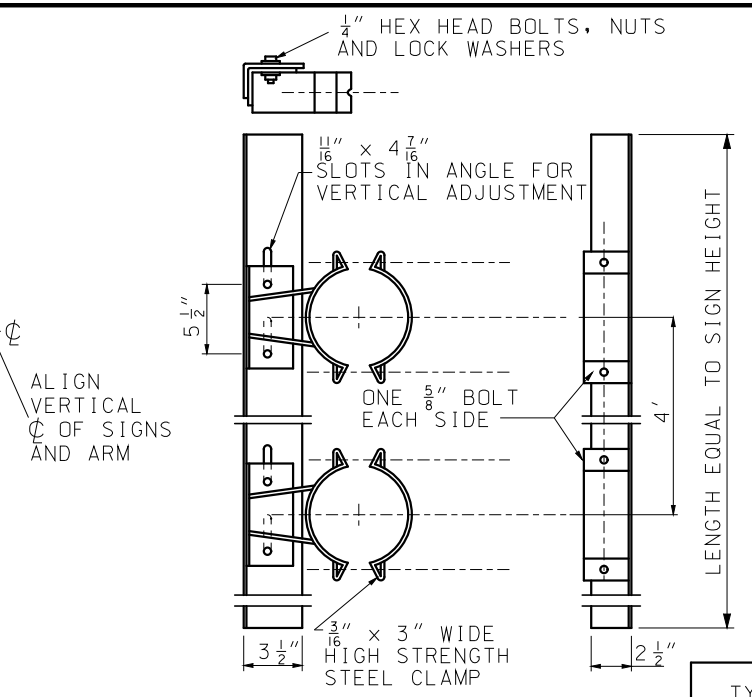
IF A SEAL IS PRESENT ON THIS SHEET IT HAS BEEN ELECTRONICALLY SEALED AND DATED.

IF A SEAL IS PRESENT ON THIS SHEET IT HAS BEEN ELECTRONICALLY SEALED AND DATED.



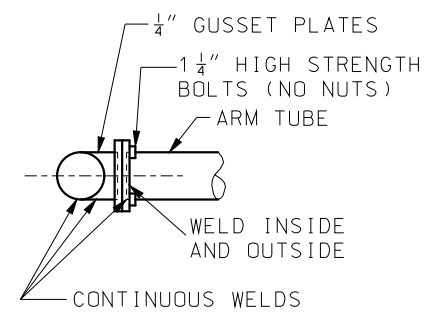
**ELEVATION
DOUBLE ARM
CANTILEVER**

(1) EXAMPLE: IF SLOPE IS 6:1, THE DENOMINATOR IS 2(6) = 12



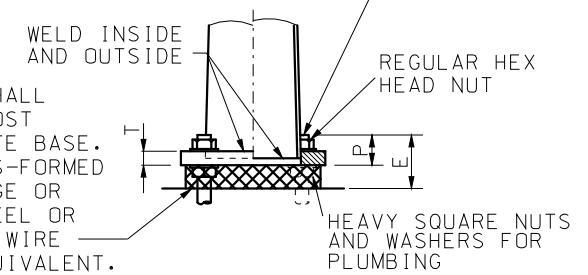
**GALVANIZED SIGN
BRACKET ASSEMBLY**

MINIMUM OF TWO BRACKETS REQUIRED ON SIGNS OVER 42" IN LENGTH



**FOR POLE DIAMETER
12" AND OVER
ARM ATTACHMENT**

ANCHOR BOLTS AS SPECIFIED THREAD UPPER PORTION E. GALVANIZE ENTIRE LENGTH OF BOLT AND ALL NUTS AND WASHERS.



**DETAIL A
ELEVATION**

A GALVANIZED SCREEN SHALL BE USED BETWEEN THE POST BASE PLATE AND CONCRETE BASE. SCREENS SHALL BE PRESS-FORMED OF 3 OR 4 MESH, 21 GAGE OR HEAVIER. STAINLESS STEEL OR HOT-DIPPED GALVANIZED WIRE SCREEN OR APPROVED EQUIVALENT. THAT WILL PROVIDE A FRICTION-TIGHT FIT WHEN INSTALLED.

TYPE NUMBER	DIAMETER		CU. YD. CLASS B CONCRETE FOOTING				REINFORCING STEEL				
	FD	FB	FD SECTION		FB SECTION		#5		#4 (2)		TOTAL LBS.
			1' DEPTH	1" DEPTH	1' DEPTH	1" DEPTH	NO.	FT-IN	NO.	FT-IN	
C-2315	3'	4'	0.2618	0.0218	0.3729	0.0311	6	11'-3"	13	8'-9"	146
C-2318	3'-6"	5'	0.3563	0.0297	0.5507	0.0459	6	12'-2"	13	10'-4"	166
C-2018	3'-6"	5'	0.3563	0.0297	0.5507	0.0459	6	12'-8"	14	10'-4"	176

(2) ESTIMATED QUANTITY FOR REINFORCING STEEL IS BASED ON A 2:1 (H:V) SLOPE.

TYPE NUMBER	POST		ARM				B *	MAX. AREA SQ FT
	GA	DIA.	GA	DIMENSIONS				
C-2315-12	3	15"	7	7.5" x 5.82" x 12'	8'	130		
C-2315-16	3	15"	7	9.0" x 6.76" x 16'	12'	120		
C-2315-20	3	15"	3	10" x 7.2" x 20'	16'	115		
C-2315-24	3	15"	3	11" x 7.64" x 24'	20'	100		
C-2318-18	3	18"	7	9.0" x 6.48" x 18'	10'	145		
C-2318-22	3	18"	7	11" x 7.92" x 22'	14'	150		
C-2318-26	3	18"	7	12.5" x 8.86" x 26'	18'	150		
C-2018-24	0	18"	7	12.5" x 9.14" x 24'	14'	205		
C-2018-28	0	18"	3	12.5" x 8.58" x 28'	18'	215		
C-2018-34	0	18"	0	13" x 8.24" x 34'	24'	190		

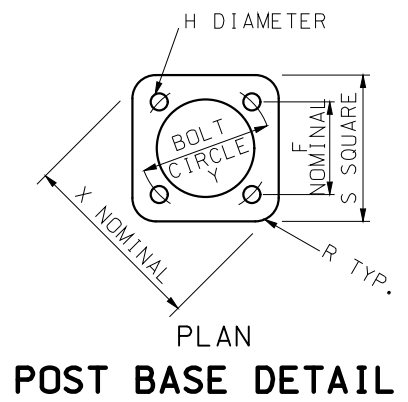
SIGN HT. (IN.)	MAX. LIN. FT. OF SIGN WIDTH PER BRACKET	
	2 CLAMP TYPE	
42	16	
48	16	
60	16	
72	15	
84	11	
96	6	
108	4	
120	3	

* FOR SIGNS WITH SIGN AREAS LESS THAN THE MAXIMUM LISTED IN THE TABLE ABOVE, B CAN BE RECALCULATED USING THE FOLLOWING EQUATION:

$$\left(\frac{\text{MAX. B FOR TRUE SIGN AREA}}{\text{TRUE SIGN AREA}} \right) \leq \left(\frac{\text{MAX. SIGN AREA}}{\text{TRUE SIGN AREA}} \right) \times \left(\frac{\text{MAX. B WITH MAX. SIGN AREA}}{\text{TRUE SIGN AREA}} \right)$$

** THE CALCULATED VALUE OF B CANNOT RESULT IN A DISTANCE GREATER THAN 1/4 OF THE SIGN WIDTH

TYPE NUMBER	POST BASE DIMENSIONS										FOOTING		
	Y	X	E	F	H	P	R	S	T	ANCHOR BOLTS	FH	FD	FB
	13 1/2"	17 1/2"	7"	9 9/16"	1"	3 3/4"	3 1/8"	14 1/8"	1 1/2"				
C-1710 & C-1310	13 1/2"	17 1/2"	7"	9 9/16"	1"	3 3/4"	3 1/8"	14 1/8"	1 1/2"	1 1/2" x 60"	5'	2'	4'
C-2315	22"	28 5/8"	8 1/2"	15 1/2"	2"	4 3/4"	4 3/8"	23"	2"	2" x 96"	7'	3'	4'
C-2318	25 1/2"	33"	8 1/2"	18"	2"	4 3/4"	5 1/2"	26 1/2"	2"	2" x 96"	7'-6"	3'-6"	5'
C-2018	25 1/2"	33"	9 1/2"	18"	2"	5 1/2"	5 1/2"	26 1/2"	2 1/2"	2 1/4" x 96"	8'	3'-6"	5'



**PLAN
POST BASE DETAIL**

MISSOURI HIGHWAYS AND TRANSPORTATION COMMISSION

105 WEST CAPITOL
JEFFERSON CITY, MO 65102
1-888-ASK-MODOT (1-888-275-6636)

STATE OF MISSOURI

EILEEN H. RACKERS
NUMBER PE-28336
PROFESSIONAL ENGINEER

THIS SHEET HAS BEEN SIGNED, SEALED AND DATED ELECTRONICALLY.

**HIGHWAY SIGNING
TUBULAR SUPPORT STEEL
TYPE C**

DATE EFFECTIVE: 10/01/2016	903.07J	SHEET NO. 2 OF 2
DATE PREPARED: 8/11/2016		