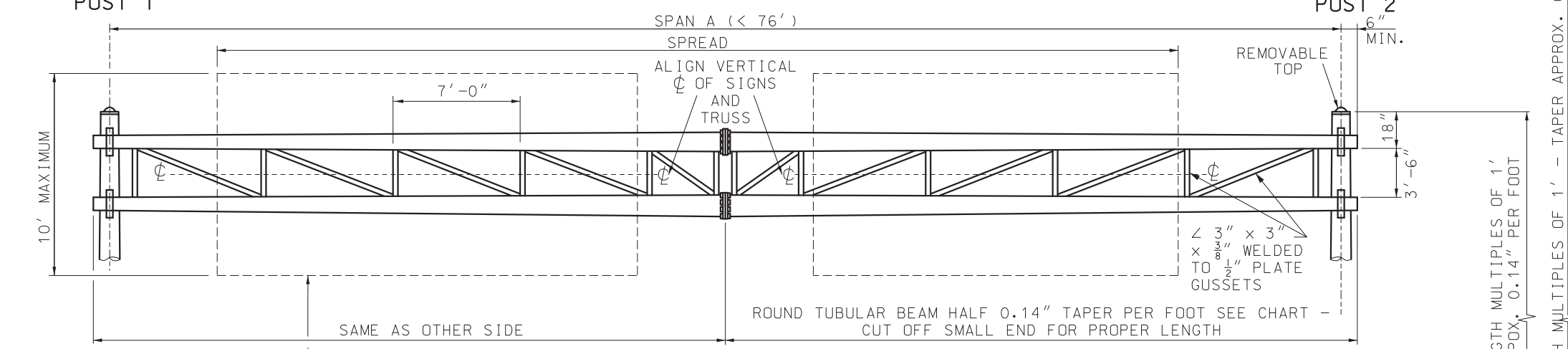
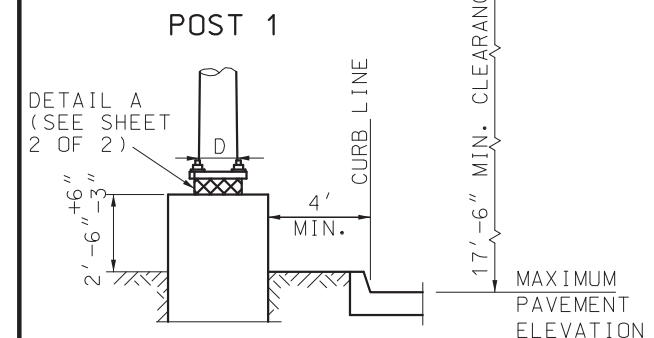


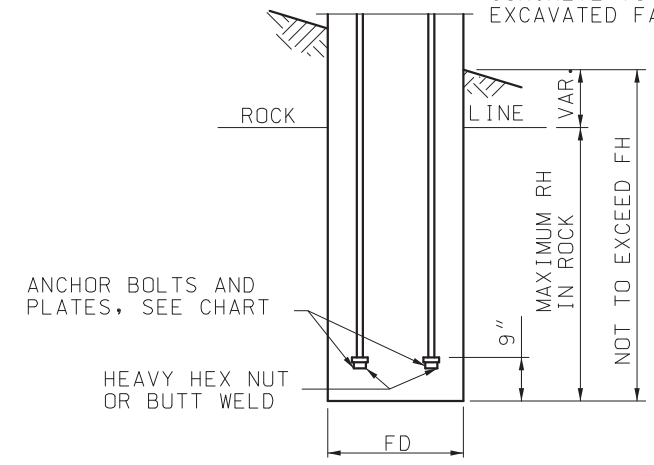
TWO END POST			
TYPE	GA	D INCHES	ALLOWABLE MOMENT-FT-LBS.
S-2315	3	15	120 000
S-2316.5	3	16.5	147 000
S-2318	3	18	177 000
S-27716	7+7	16	214 000
S-2018	0	18	222 000
S-27718	7+7	18	255 000
S-23316.5	3+3	16.5	292 000
S-23317	3+3	17	328 000
S-20018	0+0	18	453 000



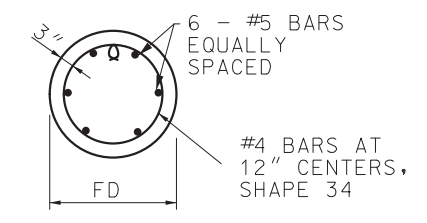
* EXAMPLE: IF SLOPE IS 1V:6H, THE DENOMINATOR IS 6



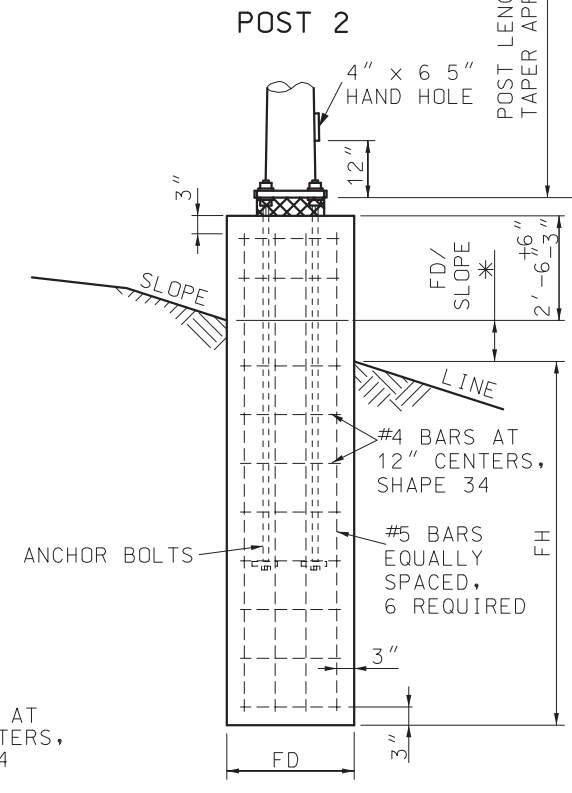
REINFORCEMENT PLACED SAME AS STANDARD FOOTING, CONCRETE TO BE POURED TO EXCAVATED FACE OF ROCK.



MODIFIED FOOTING IN SOLID ROCK



PLAN



ELEVATION

GENERAL NOTES:
 USE LONGEST POST AND SPAN A (NEXT GREATER IF NOT CHARTED) TO DETERMINE END POSTS AND STRUCTURE DESIGNS. MAXIMUM SIGN AREA FOR GIVEN SPREAD (INTERPOLATE FOR UNCHARTED SPREADS) NOT TO BE EXCEEDED. SUPPORTS DESIGNED BY END POST TYPE AND SPAN A (I.E. S-2315-40 ETC.).
 ALL ANCHOR BOLTS SHALL BE FULLY GALVANIZED HIGH STRENGTH ANCHOR BOLTS.
 ALL SIGNS SHALL BE CENTERED VERTICALLY ABOUT THE HORIZONTAL ϕ OF THE TRUSS.

	MISSOURI HIGHWAYS AND TRANSPORTATION COMMISSION 105 WEST CAPITOL JEFFERSON CITY, MO 65102 1-888-ASK-MODOT (1-888-275-6636)	
	HIGHWAY SIGNING TUBULAR SUPPORT STEEL TYPE S TWO TUBES	
	DATE EFFECTIVE: 10/01/2022 DATE PREPARED: 7/19/2022	903.06L SHEET NO. 1 OF 2

IF A SEAL IS PRESENT ON THIS SHEET IT HAS BEEN ELECTRONICALLY SEALED AND DATED.

