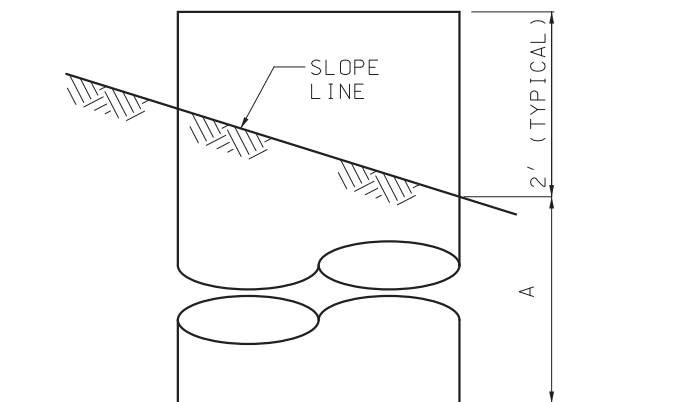
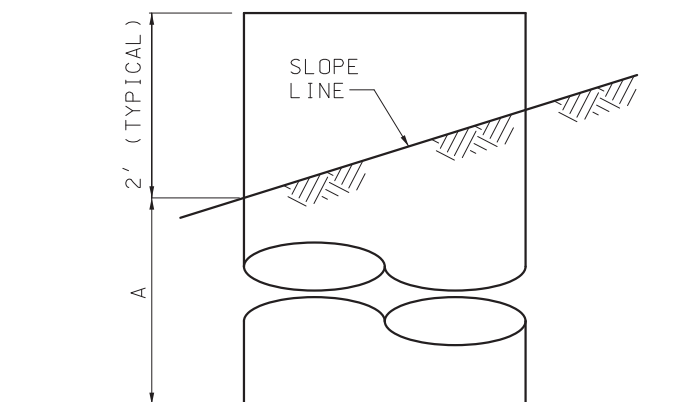


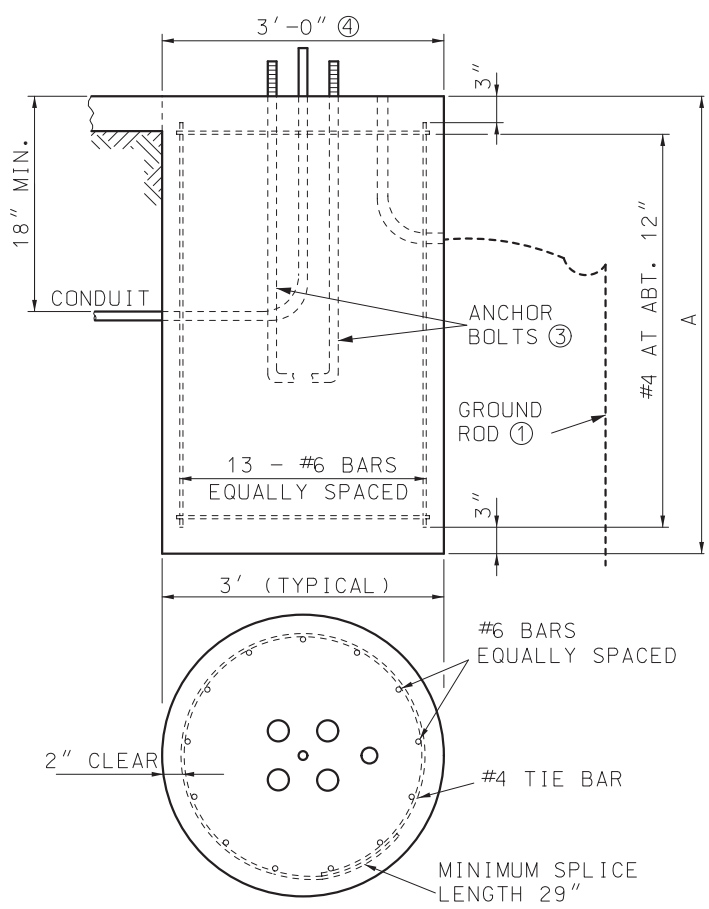
TYPE A (FLAT GROUND)



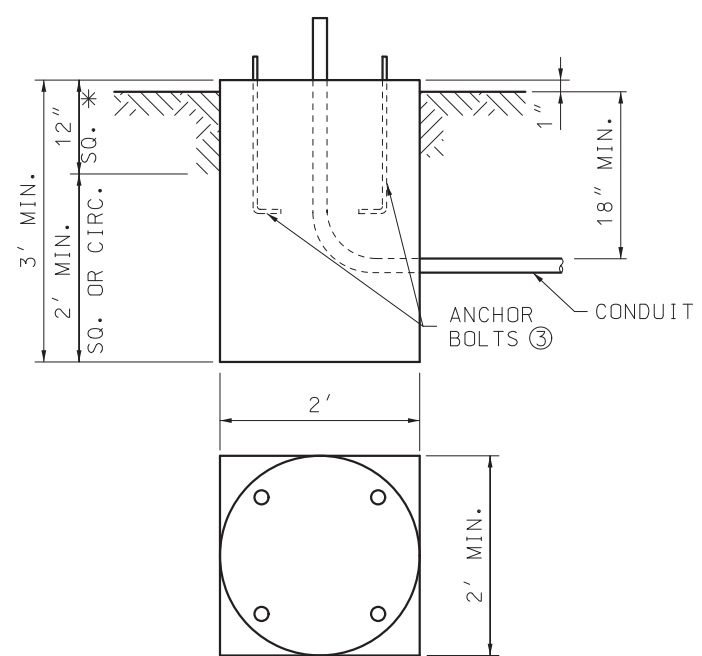
TYPE A (FILL)
(FOR ADDITIONAL DETAILS SEE TYPE A FLAT GROUND)



TYPE A (CUT)
(FOR ADDITIONAL DETAILS SEE TYPE A FLAT GROUND)



TYPE F



TYPE C

* SURFACE OF BASE TO BE CONSTRUCTED SQUARE FOR A DEPTH OF 12".

- ① APPLICABLE ONLY WHERE CONTROLLER IS MOUNTED TO A SIGNAL POLE.
- ② BASE PLATE SHALL STAY WITHIN THE TOP OF THE POST BASE DIAMETER.
- ③ ANCHOR BOLT DIMENSIONS ARE SHOWN ON THE MANUFACTURER'S APPROVED DRAWINGS.
- ④ MAXIMUM BOLT CIRCLE DIAMETER IS 26". BASE PLATE SHALL STAY WITHIN THE TOP OF THE POST BASE DIAMETER.
- ⑤ ARM LENGTH DETERMINED BY LENGTH OF LONGEST ARM FOR TYPE B & BL SIGNAL POSTS.
- ⑥ BASE TYPE A OR F DETERMINED BY LOCATION OF POST BASE.
- ⑦ SOIL DEPTH, NO ROCK.
- ⑧ WEIGHT INCLUDES #4 TIE BARS.
- ⑨ WHEN CONCRETE BASE IS LOCATED WITHIN 8" CONCRETE DIVISIONAL ISLAND, EMBEDMENT LENGTH MAY BE REDUCED BY 1/2 DIAMETER OF THE DRILLED SHAFT.

POST BASES

BASE EMBEDMENT IN SOLID ROCK

SOLID ROCK ENCOUNTER POINT	REQUIRED EMBEDMENT FOR BASE TYPE	
	A-10	F-10
AT SURFACE	4'-9"	4'-0"
AT ONE-FOURTH NORMAL DEPTH	4'-0"	3'-3"
AT ONE-HALF NORMAL DEPTH	3'-3"	1'-3"
AT THREE-FOURTHS NORMAL DEPTH	1'-3"	

1. REQUIRED EMBEDMENT DEPTHS CAN BE INTERPOLATED BETWEEN ENCOUNTER POINTS FOR OTHER SOLID ROCK ENCOUNTER DEPTHS.
2. NORMAL LENGTHS FOR ANCHOR BOLTS AND REINFORCING STEEL WILL BE REQUIRED.
3. CORE DRILL HOLES FOR ANCHOR BOLTS AND REINFORCING STEEL IN SOLID ROCK SHALL BE PROVIDED. CORE DRILL HOLES SHALL BE TWICE THE DIAMETER OF THE ANCHOR BOLT AND REINFORCING STEEL DIAMETER AND TO WITHIN 3 INCHES OF THE NORMAL BASE DEPTH.
4. IF SOIL, SHALE, GRAVEL, FRACTURED ROCK, OR VOIDS ARE ENCOUNTERED DURING CORE DRILLING, THE ROCK SHALL BE REMOVED TO THE POINT OF ENCOUNTER.
5. ANCHOR BOLTS AND REINFORCING STEEL SHALL BE GROUTED IN THE CORE DRILL HOLES WITH NON-SHRINK GROUT HAVING A MINIMUM STRENGTH OF 9,000 POUNDS IN 24 HOURS.
6. STRAIGHT ANCHOR BOLTS OF THE LENGTH SHOWN IN THE ANCHOR BOLT TABLE UNDER THE COLUMN "BOLT LENGTH" ARE ADEQUATE FOR USE IN GROUTED CORE DRILLED HOLES.

STEEL AND CONCRETE REQUIREMENTS FOR POST BASES^⑨

BASES	TYPE	A ⑦	#6 STEEL BAR		CONC. C.Y.
			LENGTH	WEIGHT LBS. ⑧	
A-9		9'-0"	10'-6"	300	2.88
A-9.5		9'-6"	11'-0"	310	3.01
A-10		10'-0"	11'-6"	320	3.14
A-10.5		10'-6"	12'-0"	330	3.27
A-11		11'-0"	12'-6"	350	3.40
A-12		12'-0"	13'-6"	380	3.67
F-9		9'-0"	8'-6"	240	2.36
F-9.5		9'-6"	9'-0"	250	2.49
F-10		10'-0"	9'-6"	270	2.62
F-10.5		10'-6"	10'-0"	280	2.75
F-11		11'-0"	10'-6"	300	2.88
F-12		12'-0"	11'-6"	320	3.14
C*					0.44

* SURFACE OF BASE TO BE CONSTRUCTED SQUARE FOR A DEPTH OF 12".

POST BASES

POST TYPE	ARM LENGTH (FEET) ⑤	BASE TYPE ⑥
C OR CL	15 - 25	A-9 OR F-9
C OR CL	30 - 35	A-9.5 OR F-9.5
C OR CL	40 - 55	A-10.5 OR F-10.5
B OR BL	15 - 25	A-10 OR F-10
B OR BL	30 - 35	A-11 OR F-11
B OR BL	40 - 55	A-12 OR F-12

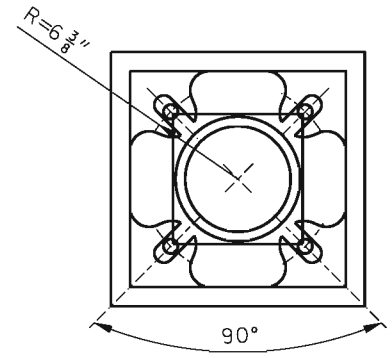
MISSOURI HIGHWAYS AND TRANSPORTATION COMMISSION
 105 WEST CAPITOL
 JEFFERSON CITY, MO 65102
 1-888-ASK-MODOT (1-888-275-6636)

STATE OF MISSOURI
 NICOLE A. KOLB HOOD
 NUMBER PE-2001018754
 PROFESSIONAL ENGINEER
 THIS SHEET HAS BEEN SIGNED, SEALED AND DATED ELECTRONICALLY.

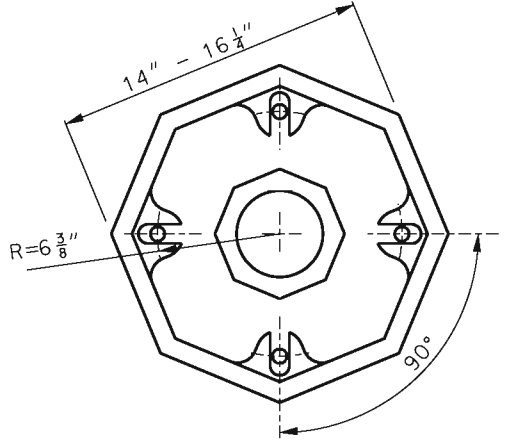
TRAFFIC SIGNALS
 POST BASES

DATE EFFECTIVE: 07/01/2019	902.30P	SHEET NO. 1 OF 2
DATE PREPARED: 5/20/2019		

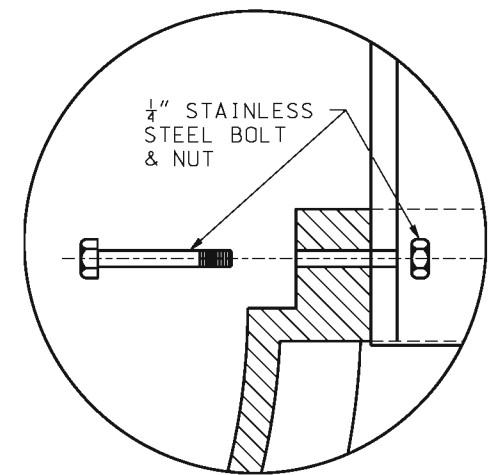
IF A SEAL IS PRESENT ON THIS SHEET IT HAS BEEN ELECTRONICALLY SEALED AND DATED.



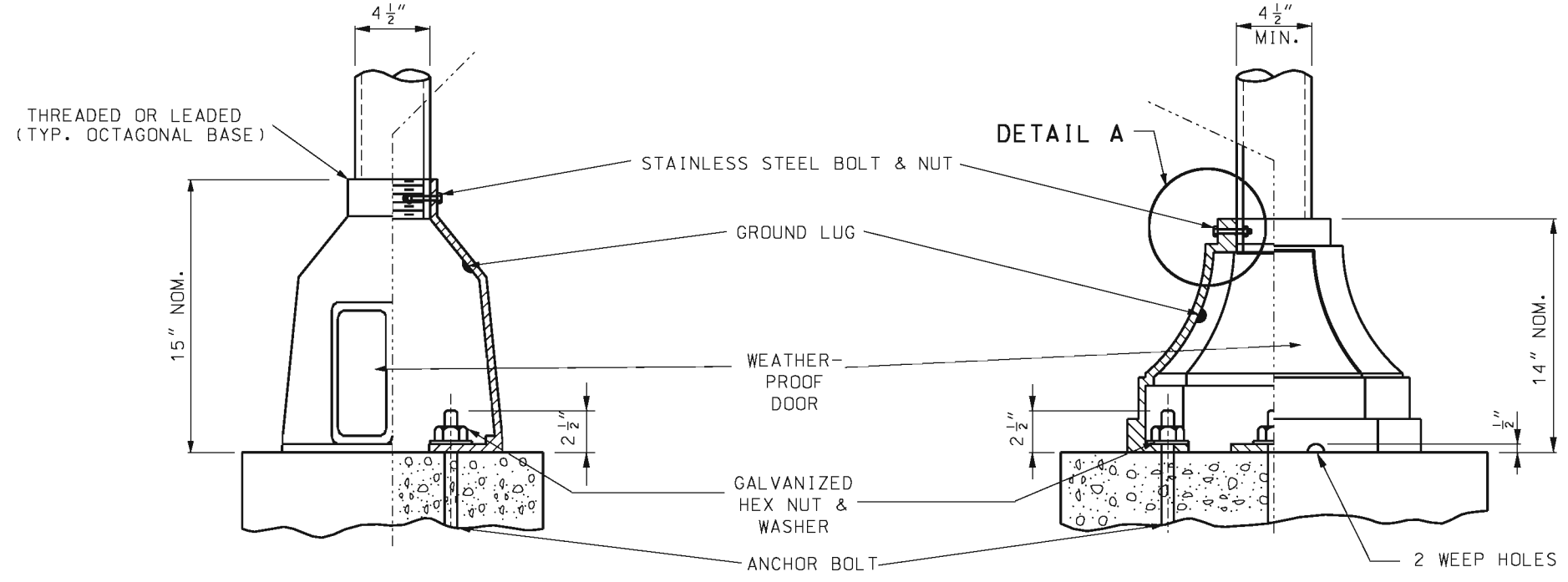
BOLT CIRCLE



BOLT CIRCLE



DETAIL A

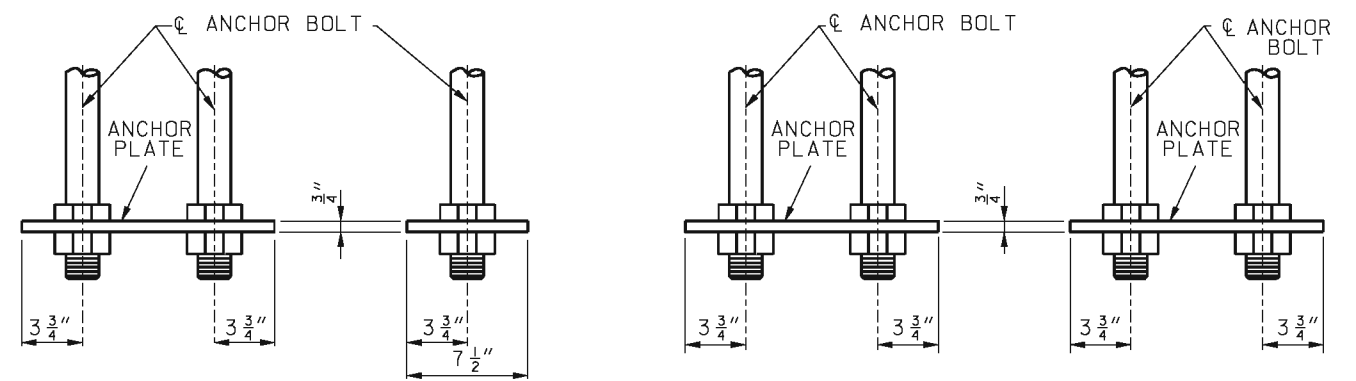


SQUARE

OCTAGONAL

CAST BASE

BOLT LENGTH INCHES	VERT. HT. A INCHES	THREAD LEN. B INCHES	DIA. C INCHES
19	17	1.50	0.625
57	51	7.00	1.250
79	73	7.50	1.500
94	88	8.00	1.750
121	115	8.50	2.000
120	114	9.00	2.250
146	140	9.50	2.500



SIDE VIEW

END VIEW

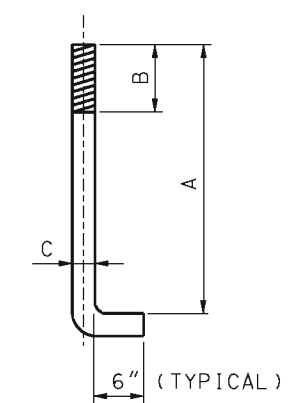
SIDE VIEW

END VIEW

TWO BOLTS PER PLATE
HEX NUT OR 5/16" FILLET WELD ALL AROUND BOTH SIDES

FOUR BOLTS PER PLATE
HEX NUT OR 5/16" FILLET WELD ALL AROUND BOTH SIDES

OPTIONAL STEEL PLATE FOR ANCHOR BOLTS



ANCHOR BOLT

NOTE:
ALL ANCHOR BOLTS SHALL BE FULLY GALVANIZED.

MoDOT MISSOURI HIGHWAYS AND TRANSPORTATION COMMISSION
105 WEST CAPITOL JEFFERSON CITY, MO 65102
1-888-ASK-MODOT (1-888-275-6636)

STATE OF MISSOURI
KATHRYN PHILLIPS HARVEY
NUMBER PE-23751
PROFESSIONAL ENGINEER
THIS SHEET HAS BEEN SIGNED, SEALED AND DATED ELECTRONICALLY.

**TRAFFIC SIGNALS
POST BASES**

DATE EFFECTIVE: 02/01/2008
DATE PREPARED: 8/26/2009

902.30P

SHEET NO.
2 OF 2

IF A SEAL IS PRESENT ON THIS SHEET IT HAS BEEN ELECTRONICALLY SEALED AND DATED.