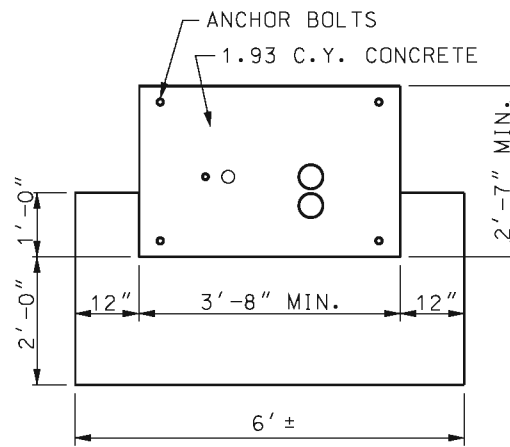
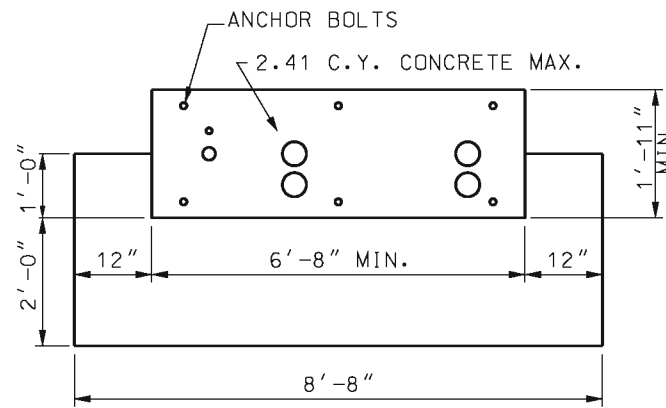


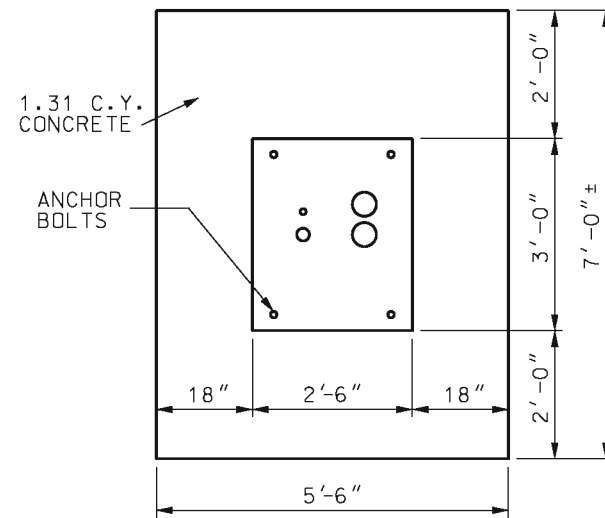
PLAN VIEW



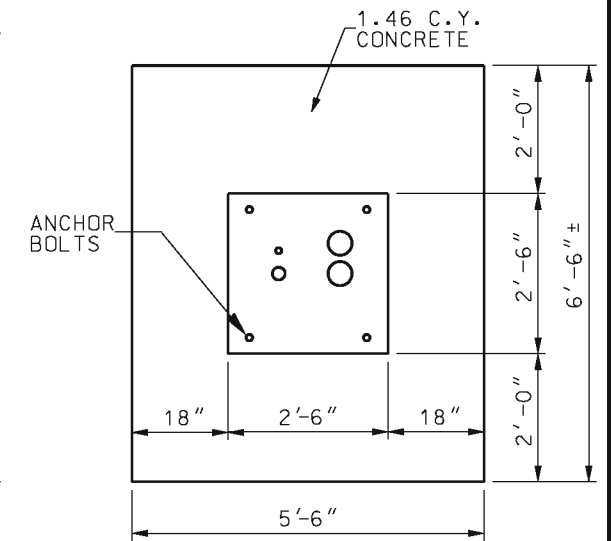
PLAN VIEW



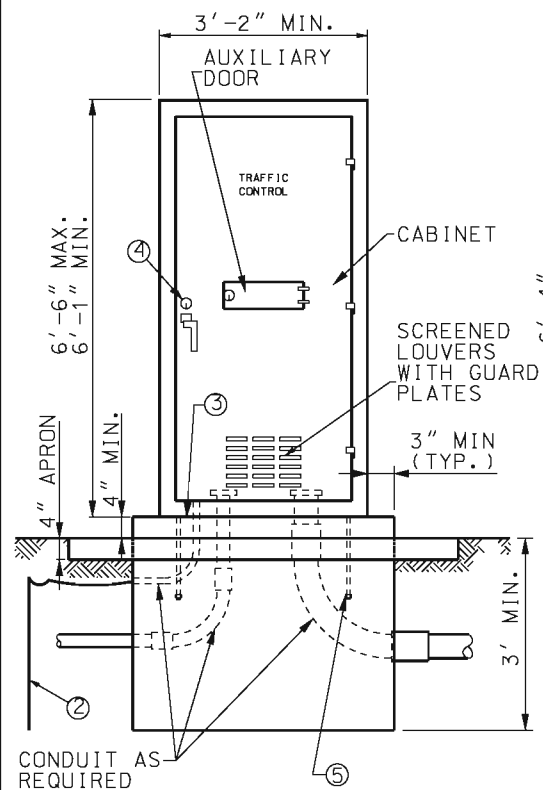
PLAN VIEW



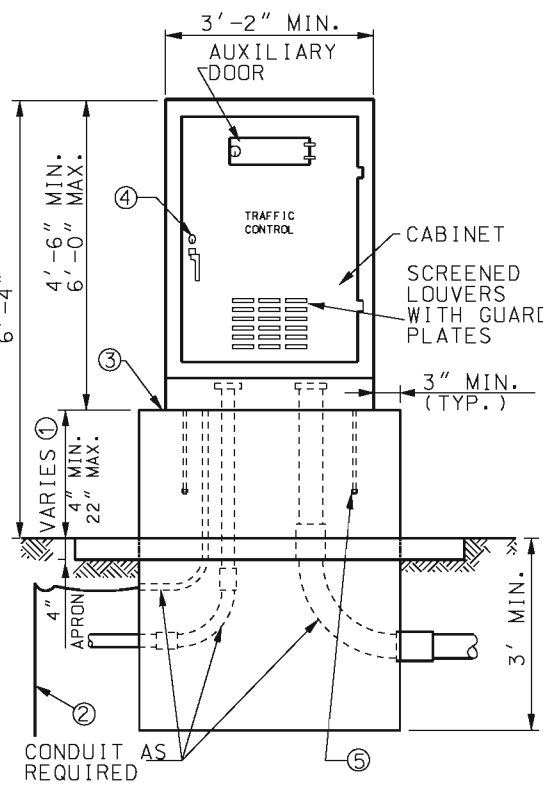
PLAN VIEW



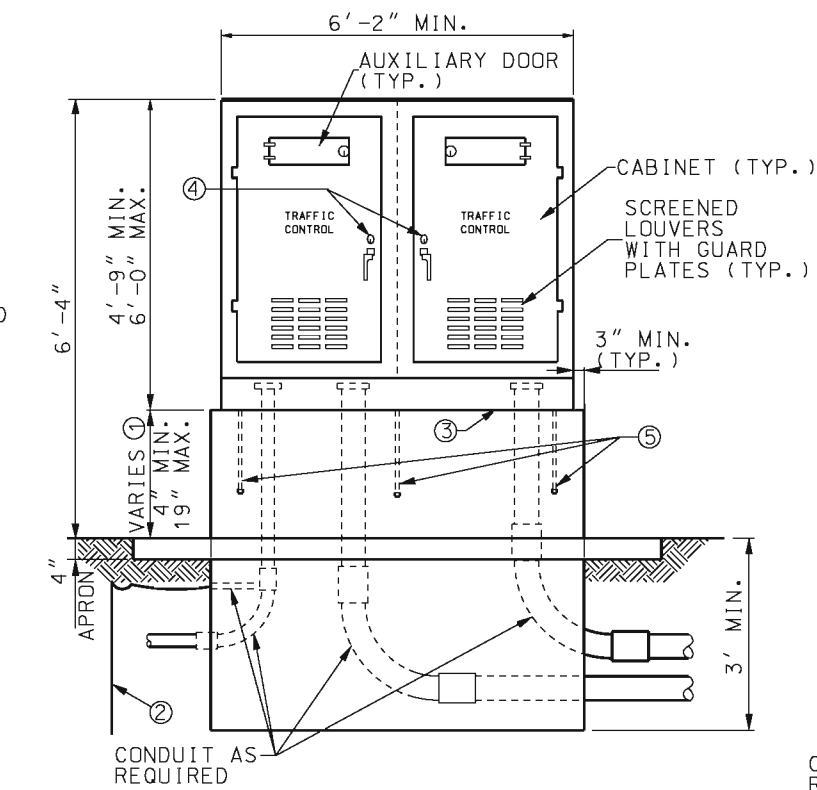
PLAN VIEW



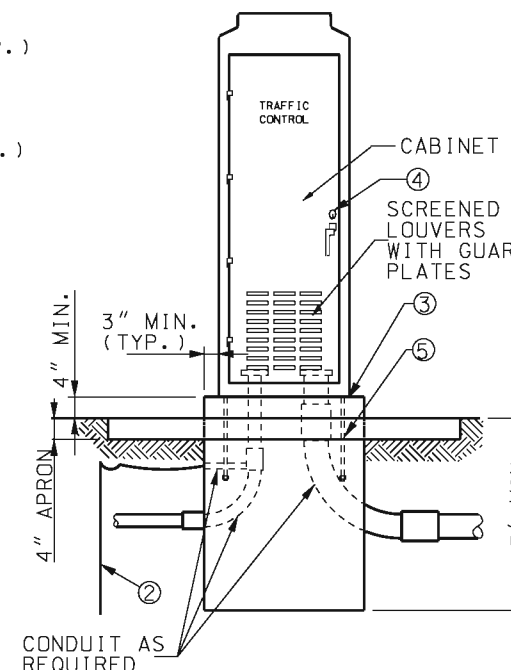
TYPE E



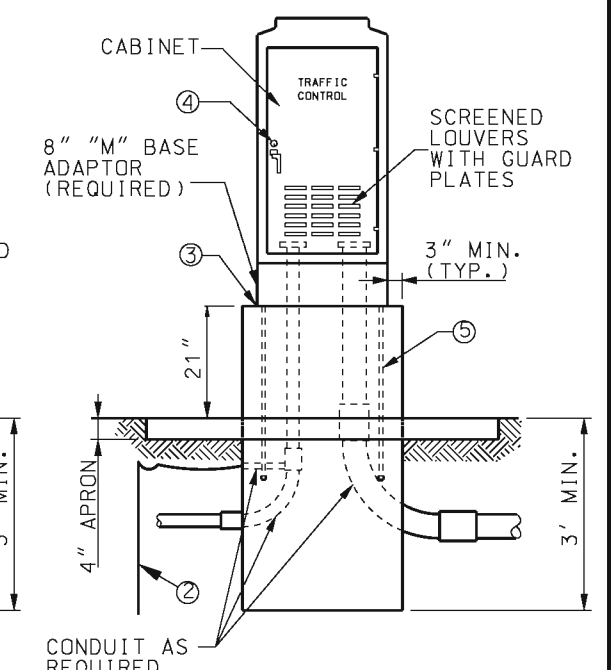
TYPE EV



DOUBLE



FOR TYPE 170  
CONTROLLER CABINETS  
TYPE 332



FOR TYPE 170  
CONTROLLER CABINETS  
TYPE 336S

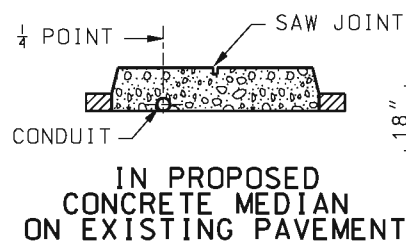
FOR CONTROLLER CABINETS WITH HEIGHTS FROM 6'-1" TO 6'-6"

FOR CONTROLLER CABINETS WITH HEIGHTS FROM 4'-4" TO 6'-0"

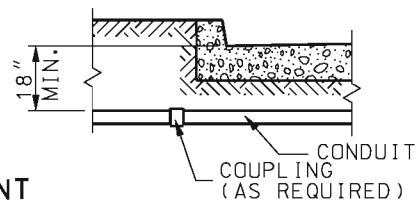
**CONTROLLER CABINETS AND BASE TYPES**

NOTES:

- ① DIMENSION VARIES ACCORDING TO CABINET HEIGHT.
- ② GROUND ROD, 3/4" DIA. x 8' MIN. IF SUBSURFACE CONDITIONS EXIST WHICH PROHIBIT THE PLACEMENT OF THE GROUND ROD IN A VERTICAL POSITION, THE ROD MAY BE DRIVEN AT AN OBLIQUE ANGLE NOT TO EXCEED 45 DEGREES FROM VERTICAL OR BURIED IN A TRENCH AT LEAST 30 IN. DEEP. CONNECTION TO GROUND ROD SHALL BE CADWELDED.
- ③ LIFETIME SILICONE CAULK BETWEEN CABINET AND BASE.
- ④ #2 CORBIN LOCK
- ⑤ ANCHOR BOLTS (USE BOLT HEAD OR TACK WELDED NUT ON EMBEDDED END AND SIZE AS SPECIFIED BY CABINET MANUFACTURER).

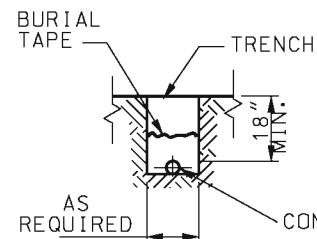


IN PROPOSED CONCRETE MEDIAN ON EXISTING PAVEMENT

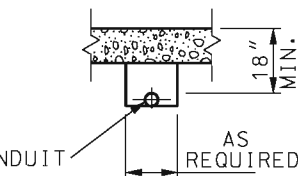


0.5% MINIMUM SLOPE

**CONDUIT LOCATIONS**



NON-PAVED SURFACED



PAVED SURFACE

<p><b>MISSOURI HIGHWAYS AND TRANSPORTATION COMMISSION</b></p> <p>105 WEST CAPITOL JEFFERSON CITY, MO 65102 1-888-ASK-MODOT (1-888-275-6636)</p>	
<p><b>TRAFFIC SIGNALS CONTROLLERS CONDUIT LOCATION</b></p>	
<p>STATE OF MISSOURI EILEEN H. RACKERS NUMBER PE-28336 PROFESSIONAL ENGINEER</p> <p>THIS SHEET HAS BEEN SIGNED, SEALED AND DATED ELECTRONICALLY.</p>	<p>DATE EFFECTIVE: 04/01/2005 DATE PREPARED: 8/26/2009</p>
<p>902.100</p>	<p>SHEET NO. 1 OF 1</p>

IF A SEAL IS PRESENT ON THIS SHEET IT HAS BEEN ELECTRONICALLY SEALED AND DATED.