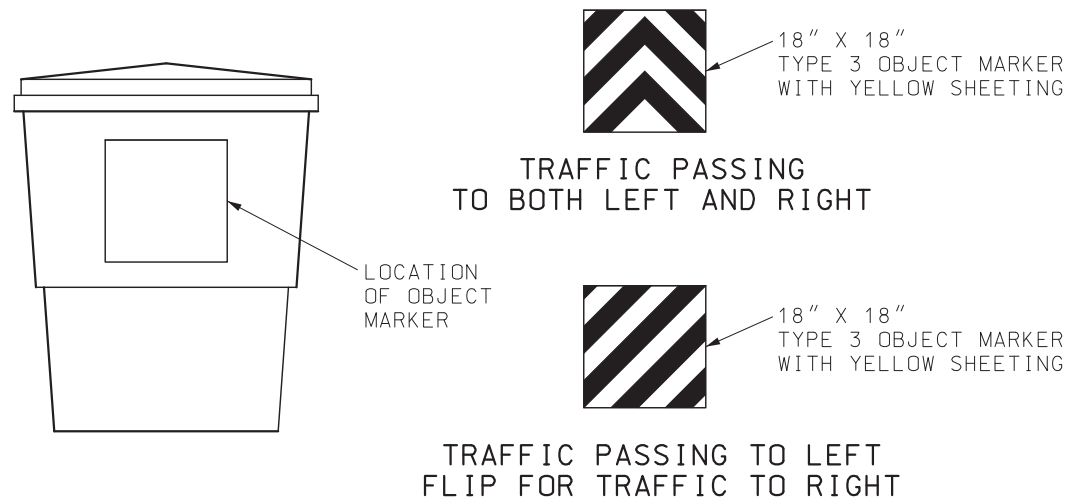
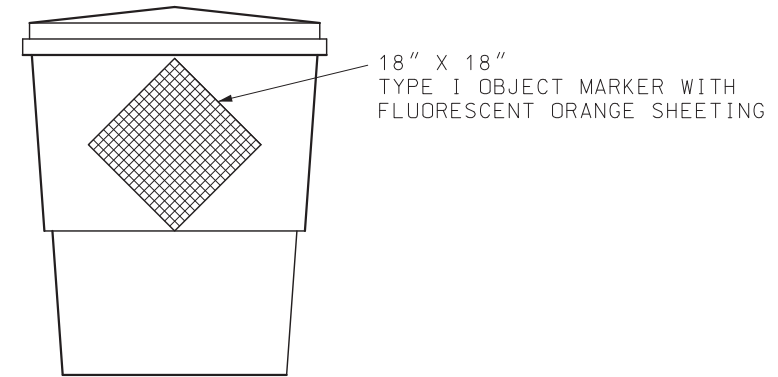


ATTENUATOR LAYOUT:

ALL SAND FILLED ATTENUATORS SHOULD MEET MANUFACTURER'S RECOMMENDATIONS FOR THE ARRAY AND SAND WEIGHT.




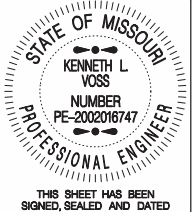
**TYPE 3 OBJECT MARKER PLACEMENT
FOR PERMANENT INSTALLATIONS**



**TYPE I OBJECT MARKER PLACEMENT
FOR TEMPORARY INSTALLATIONS**

GENERAL NOTES:

OBJECT MARKER SHALL BE PLACED ON THE LEAD MODULE FACING TRAFFIC.

 MISSOURI HIGHWAYS AND TRANSPORTATION COMMISSION 105 WEST CAPITOL JEFFERSON CITY, MO 65102 1-888-ASK-MODOT (1-888-275-6636)	
 <p>STATE OF MISSOURI KENNETH L. VOSS NUMBER PE-2002016747 PROFESSIONAL ENGINEER</p> <p>THIS SHEET HAS BEEN SIGNED, SEALED AND DATED ELECTRONICALLY.</p>	<p>SAND FILLED IMPACT ATTENUATORS</p>
DATE EFFECTIVE: 4/1/2024 DATE PREPARED: 1/16/2024	<p>612.20F</p>
SHEET NO. 1 OF 1	