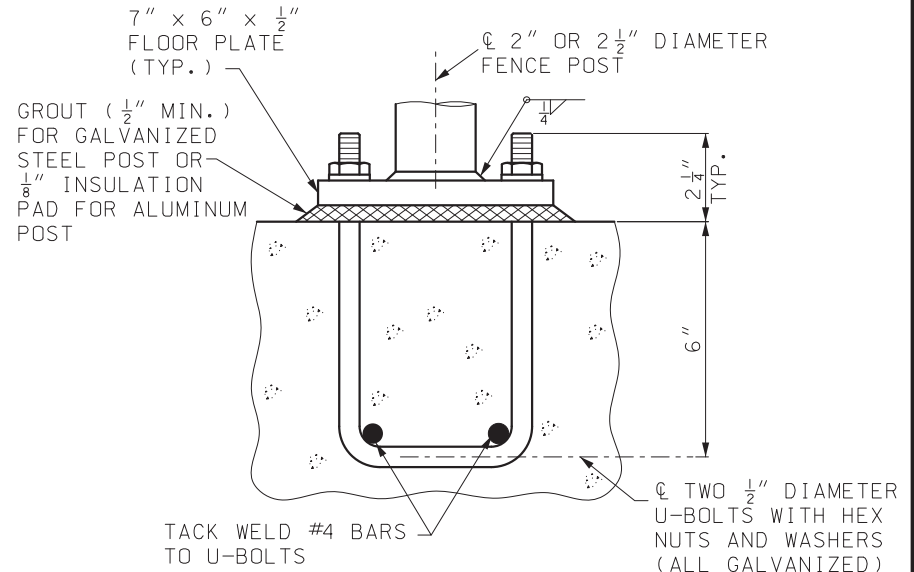


TERMINAL POST

LINE POST

PULL POST

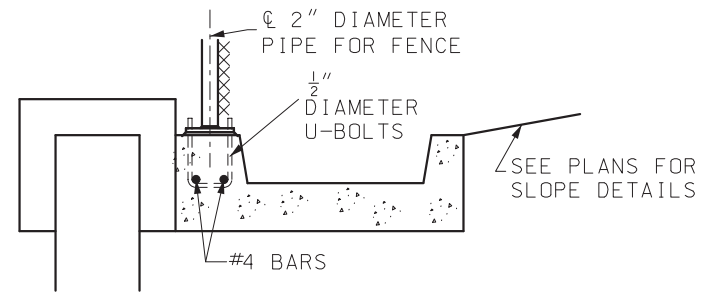
SECTION A-A



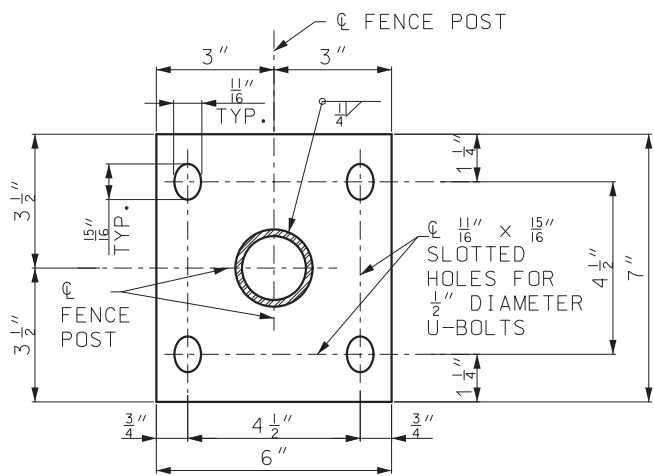
TYPICAL FENCE POST CONNECTION

\* PLACE EXPANSION SLEEVE AT ABOUT 30'-0" CENTERS WITH AT LEAST ONE EXPANSION SLEEVE BETWEEN PULL POSTS.

PART ELEVATION (TYPICAL)



ALTERNATE SECTION A-A FOR MSE WALLS



PLAN OF FLOOR PLATE

GENERAL NOTES:

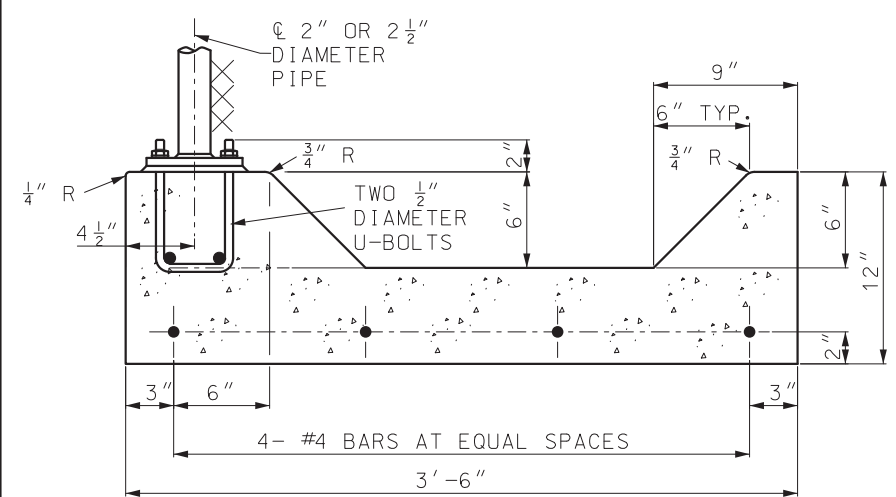
PAYMENT FOR U-BOLTS WITH NUTS, WASHERS, AND #4 BARS WILL BE CONSIDERED COMPLETELY COVERED BY THE CONTRACT UNIT PRICE FOR CHAIN-LINK FENCE (RETAINING WALLS).

PULL POST SHALL BE USED AT SHARP BREAKS IN VERTICAL GRADE OR AT APPROXIMATE 100'-0" CENTERS ON STRAIGHT RUNS.

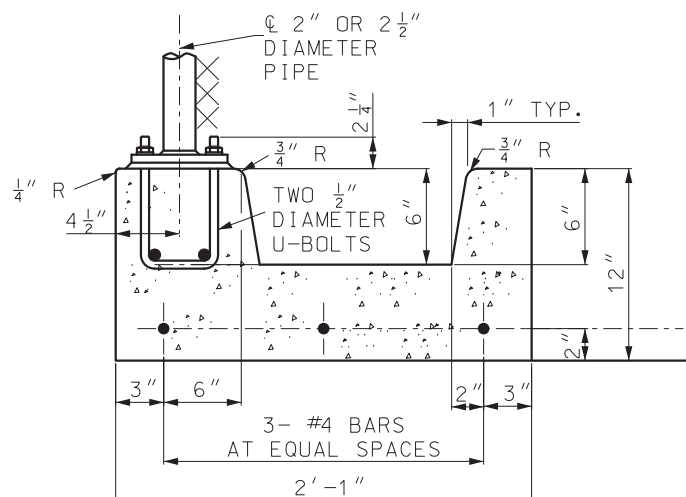
THE CHAIN-LINK FENCE SHALL BE IN ACCORDANCE WITH APPLICABLE PARTS OF SEC 607.

MAXIMUM POST SPACING IN HORIZONTAL DIRECTION SHALL BE 10'-0".

PIPE POST SIZES ARE NOMINAL INSIDE DIAMETERS.



MODIFIED TYPE A GUTTER



MODIFIED TYPE B GUTTER

FENCE CONNECTION FOR MSE WALLS

	<b>MISSOURI HIGHWAYS AND TRANSPORTATION COMMISSION</b> 105 WEST CAPITOL JEFFERSON CITY, MO 65102 1-888-ASK-MODOT (1-888-275-6636)	
		<b>CHAIN-LINK FENCE FOR RETAINING WALLS</b>
DATE EFFECTIVE: 4/1/2024 DATE PREPARED: 1/16/2024	<b>607.11J</b>	SHEET NO. <b>1 OF 1</b>