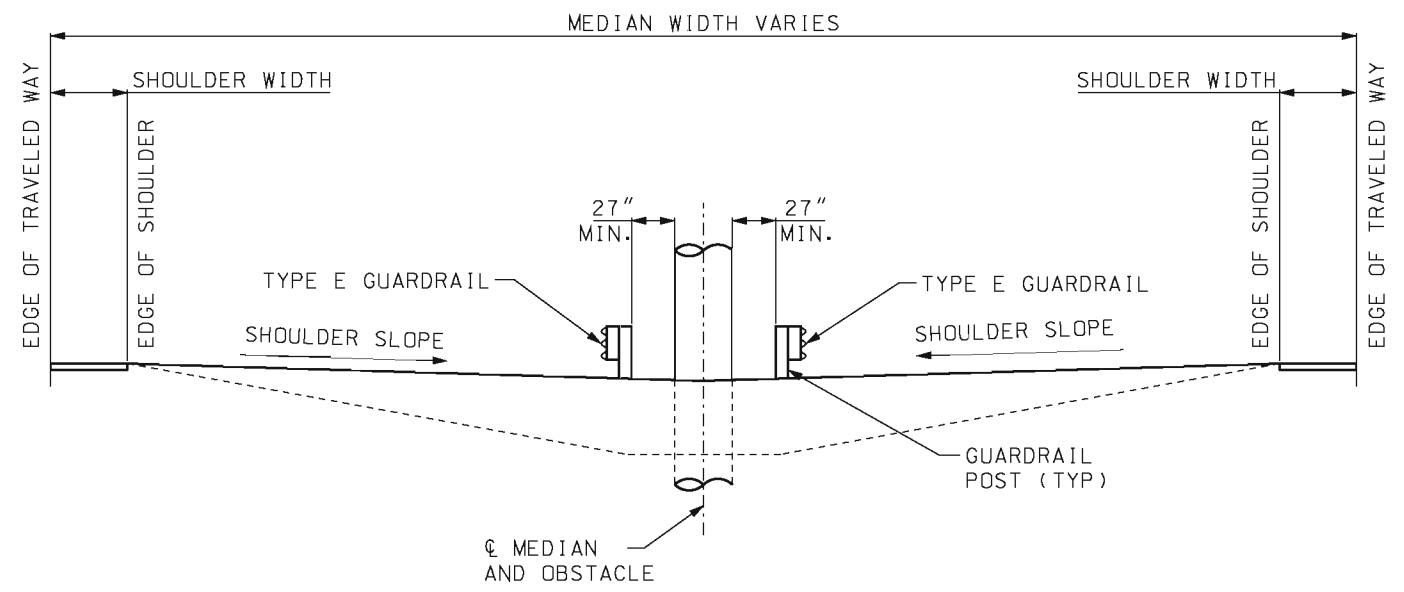


**PIER AT C OF MEDIAN  
PLAN VIEW**





**SECTION A-A**

**GENERAL NOTES:**

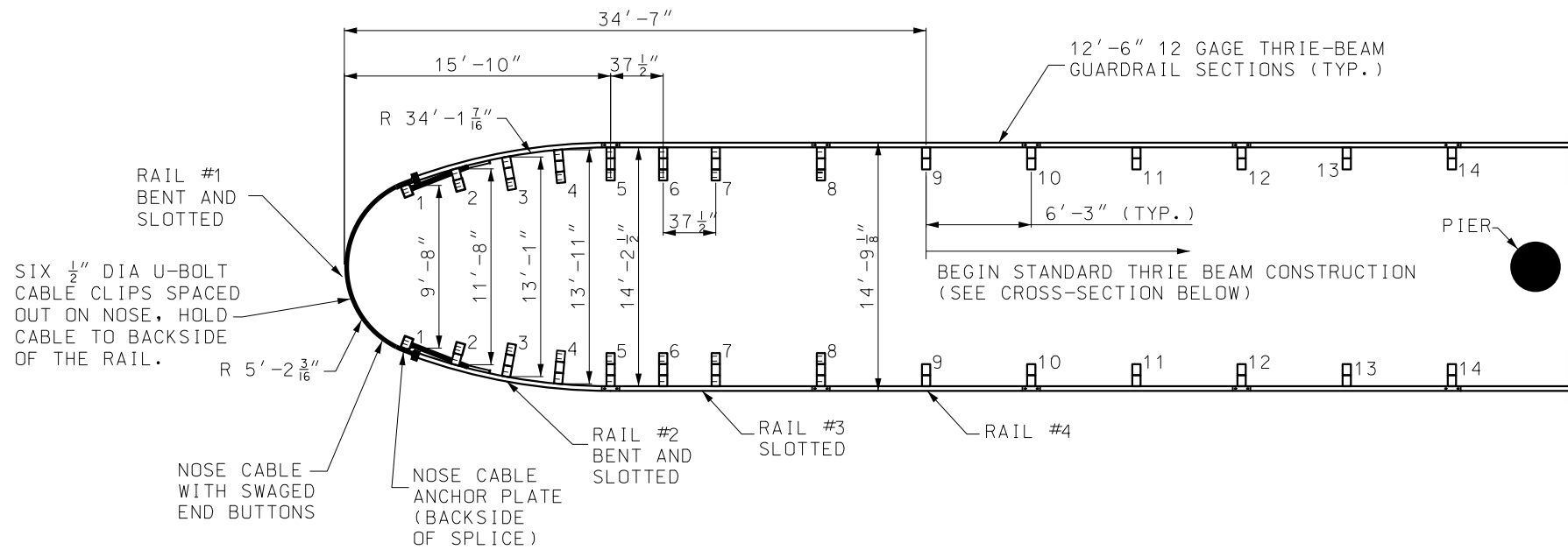
WOOD POSTS AND WOOD BLOCKS MAY BE USED ON TYPE E GUARDRAIL.

THE BULLNOSE GUARDRAIL PAY ITEM INCLUDES THE STRUCTURE BETWEEN POST 10 AND THE NOSE. THE REMAINING GUARDRAIL WILL BE PAID FOR AS STANDARD GUARDRAIL ITEMS.

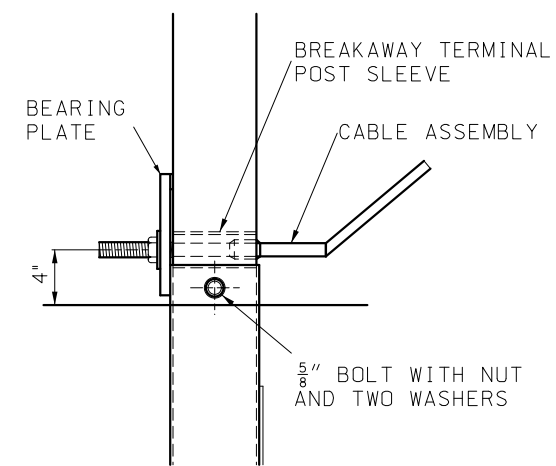
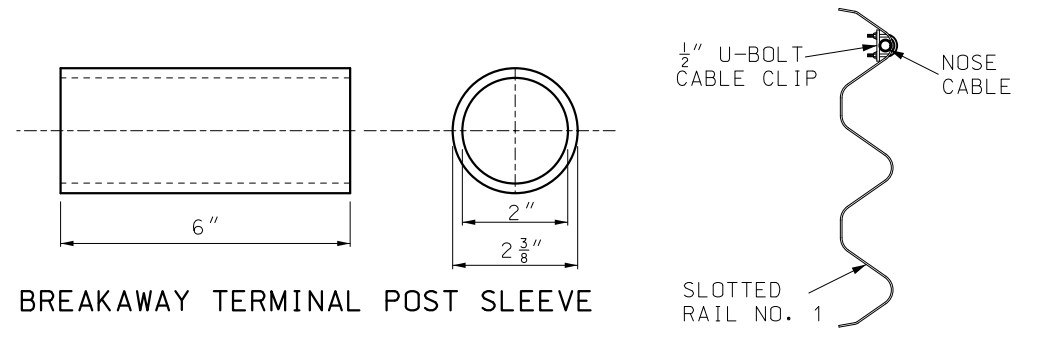
SUITABLE DRAINAGE MUST BE PROVIDED WHEN MEDIAN GRADING IMPEDES NORMAL FLOW.

	<b>MISSOURI HIGHWAYS AND TRANSPORTATION COMMISSION</b> 105 WEST CAPITOL JEFFERSON CITY, MO 65102 1-888-ASK-MODOT (1-888-275-6636)	
		<b>MEDIAN PIER PROTECTION BULLNOSE GUARDRAIL SYSTEM</b>
DATE EFFECTIVE: 08/01/2012 DATE PREPARED: 7/27/2012	<b>606.01F</b>	SHEET NO. 1 OF 9

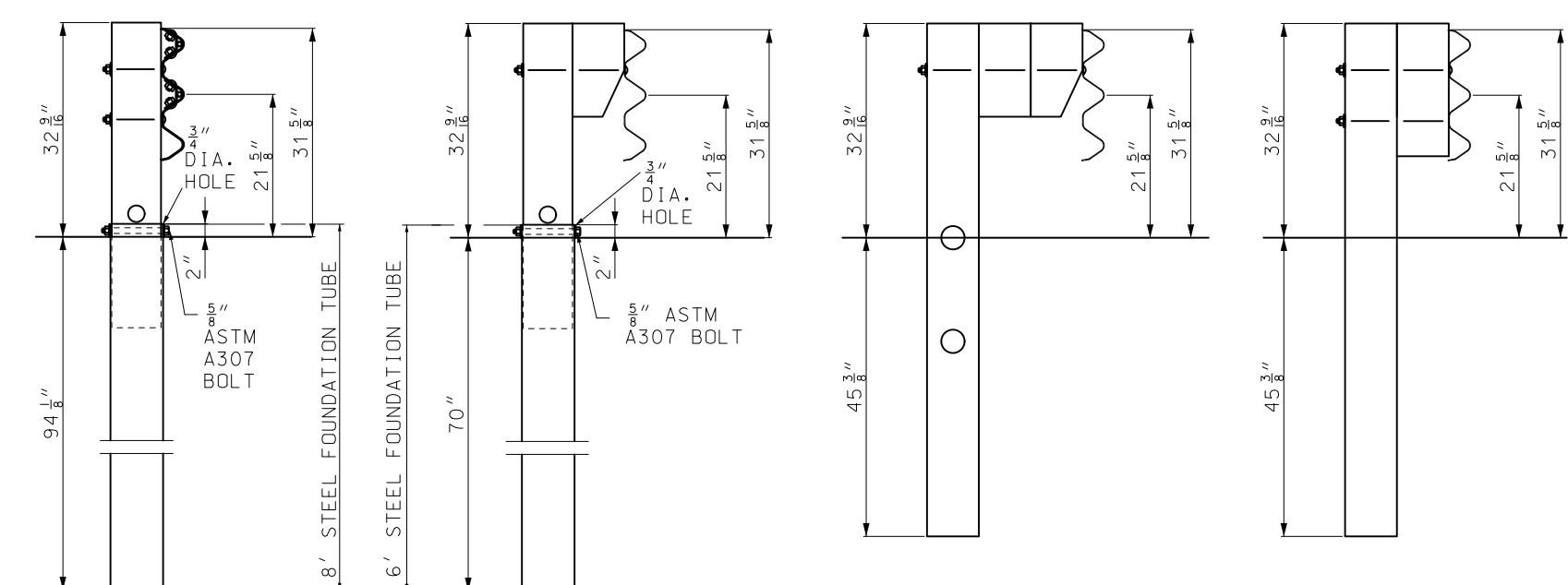
IF A SEAL IS PRESENT ON THIS SHEET IT HAS BEEN ELECTRONICALLY SEALED AND DATED.



DETAIL A



POST 1 DETAIL



THRIE BEAM BCT POST WITH 96 1/16" FOUNDATION TUBE POST 1

THRIE BEAM BCT POST WITH 72" FOUNDATION TUBE AND 14" TAPERED BLOCK POST 2

THRIE BEAM CRT POST 78" LONG WITH 14" BLOCK AND 14" TAPERED BLOCK POSTS 3, 4, 5, 6, 7, 8

THRIE BEAM POST 78" LONG WITH 14" BLOCK POSTS 9 AND 10

POST DETAILS

GENERAL NOTE:

RAILS NUMBERS 1, 2, 3 AND 4 ARE TYPE E GUARDRAIL. RAIL NUMBER 4 IS A STANDARD THRIE BEAM, NOT SLOTTED.

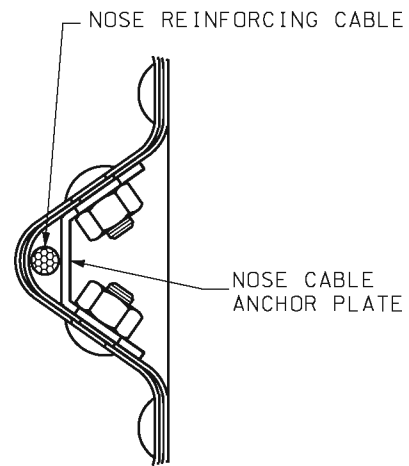
**MoDOT** MISSOURI HIGHWAYS AND TRANSPORTATION COMMISSION  
 105 WEST CAPITOL JEFFERSON CITY, MO 65102  
 1-888-ASK-MODOT (1-888-275-6636)

STATE OF MISSOURI  
 TRAVIS D. KOESTNER  
 NUMBER PE-30042  
 PROFESSIONAL ENGINEER  
 THIS SHEET HAS BEEN SIGNED, SEALED AND DATED ELECTRONICALLY.

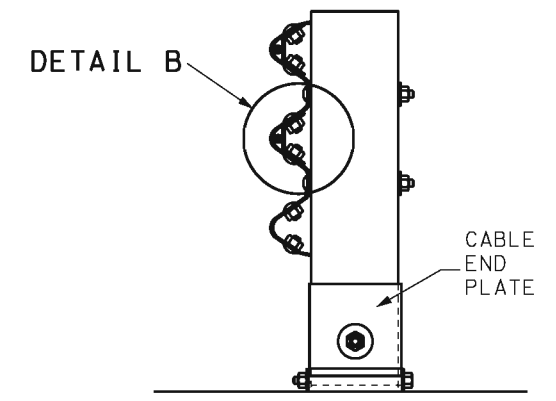
**MEDIAN PIER PROTECTION BULLNOSE GUARDRAIL SYSTEM**

DATE EFFECTIVE: 04/01/2021	<b>606.01F</b>	SHEET NO. 2 OF 9
DATE PREPARED: 1/27/2021		

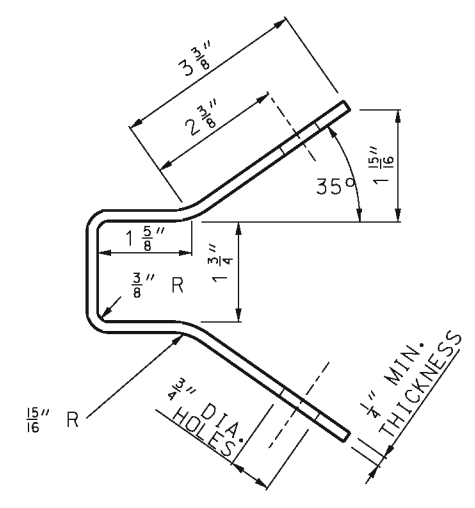
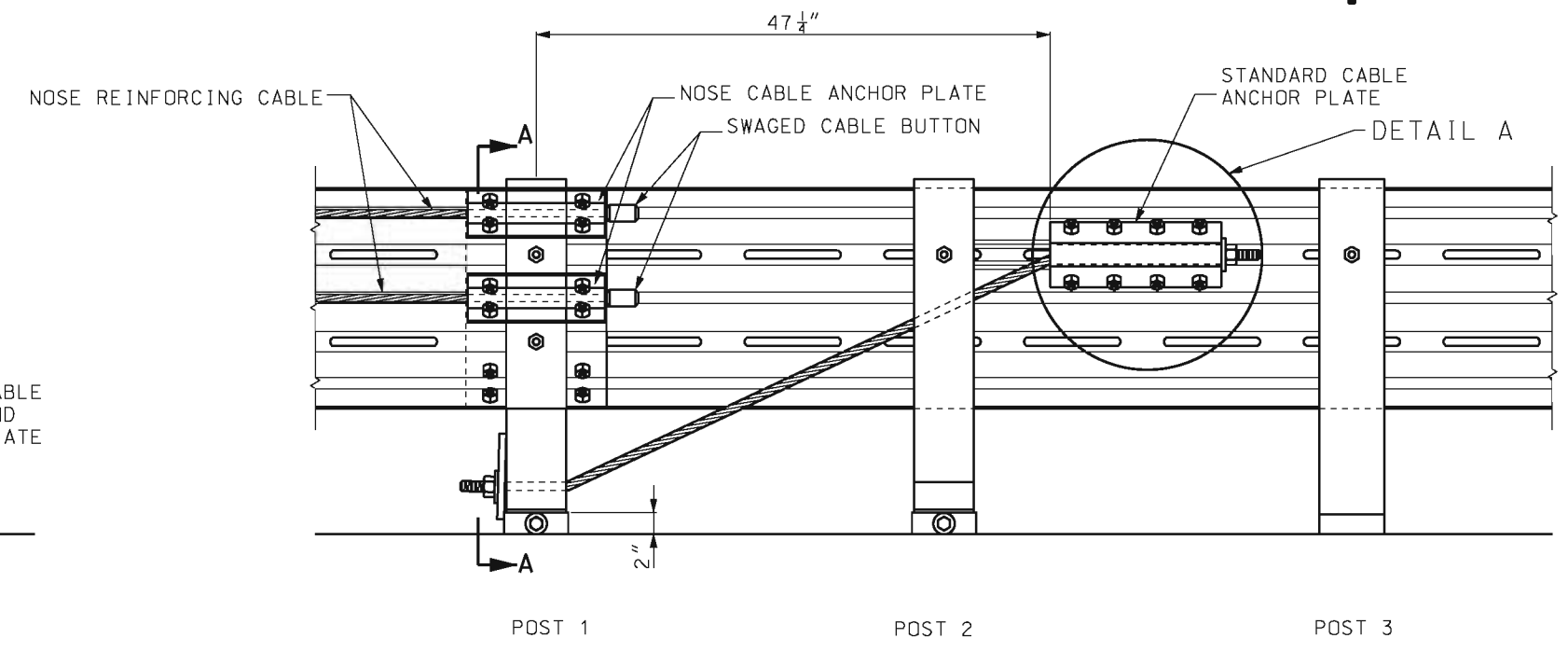
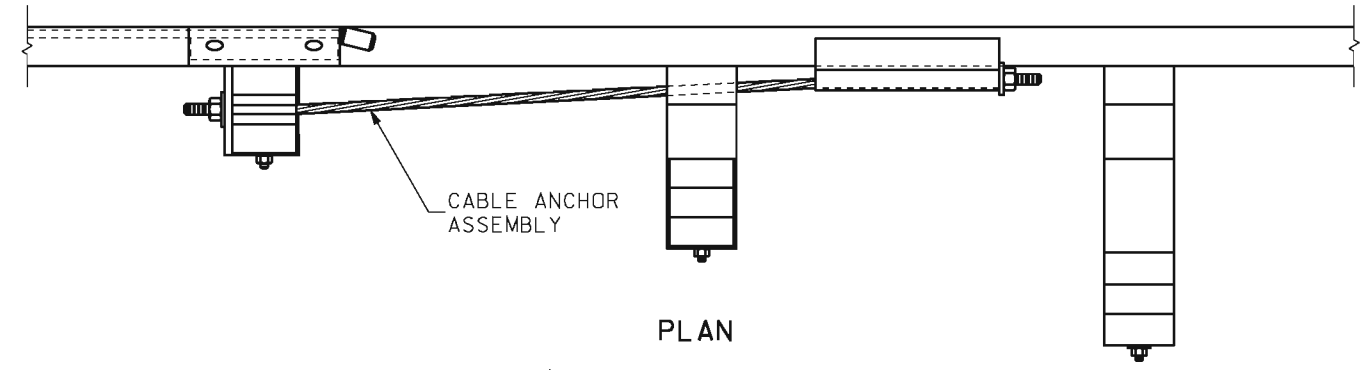
IF A SEAL IS PRESENT ON THIS SHEET IT HAS BEEN ELECTRONICALLY SEALED AND DATED.



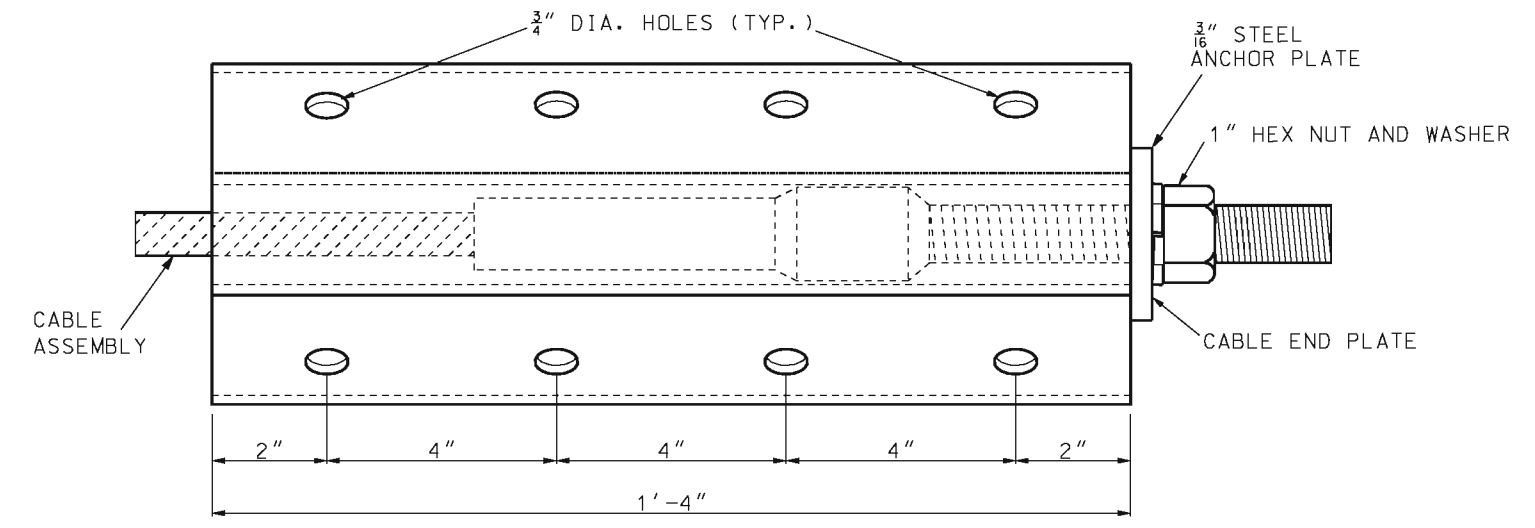
DETAIL B



SECTION A-A



END VIEW



**MoDOT** MISSOURI HIGHWAYS AND TRANSPORTATION COMMISSION

105 WEST CAPITOL  
JEFFERSON CITY, MO 65102  
1-888-ASK-MODOT (1-888-275-6636)

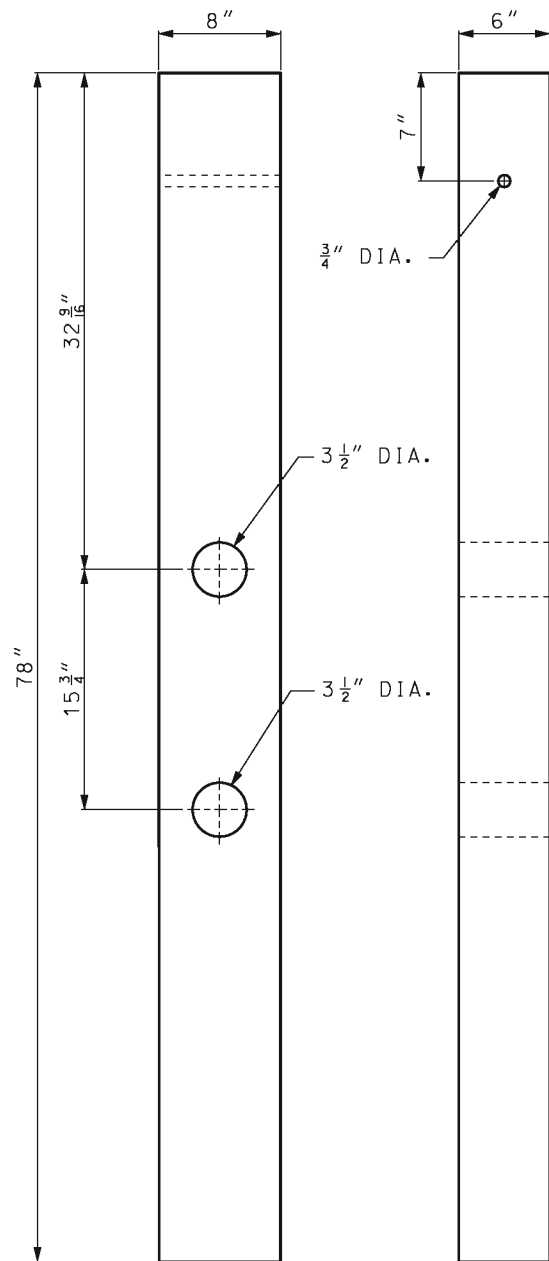
STATE OF MISSOURI  
KATHRYN PHILLIPS HARVEY  
NUMBER PE-23751  
PROFESSIONAL ENGINEER

THIS SHEET HAS BEEN SIGNED, SEALED AND DATED ELECTRONICALLY.

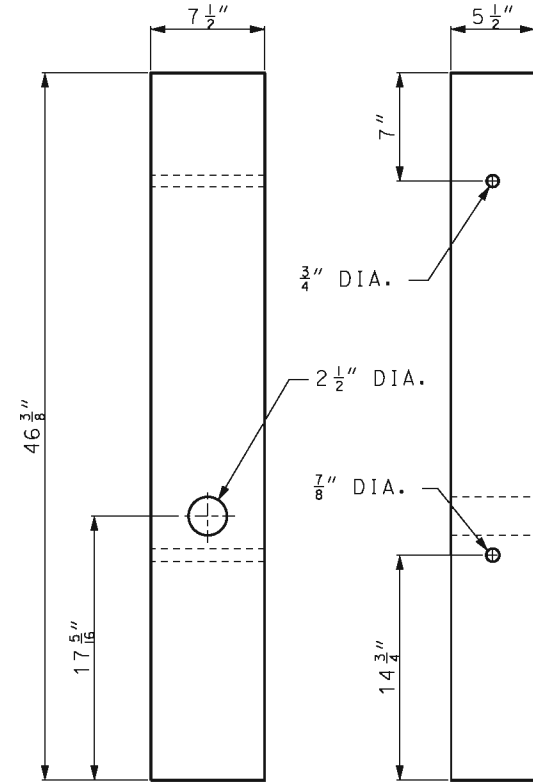
**MEDIAN PIER PROTECTION  
BULLNOSE GUARDRAIL SYSTEM  
CABLE ANCHOR**

DATE EFFECTIVE: 08/01/2012	606.01F	SHEET NO. 3 OF 9
DATE PREPARED: 7/27/2012		

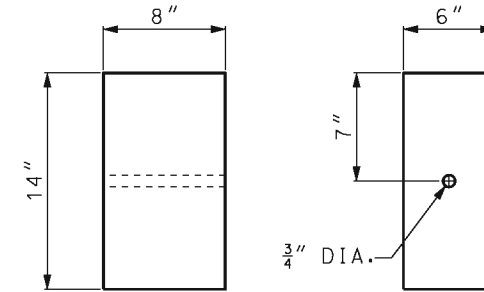
IF A SEAL IS PRESENT ON THIS SHEET IT HAS BEEN ELECTRONICALLY SEALED AND DATED.



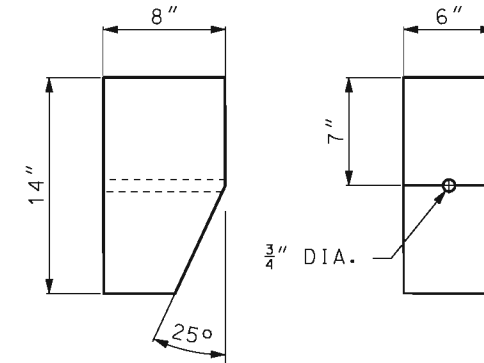
THRIE BEAM CRT POSTS



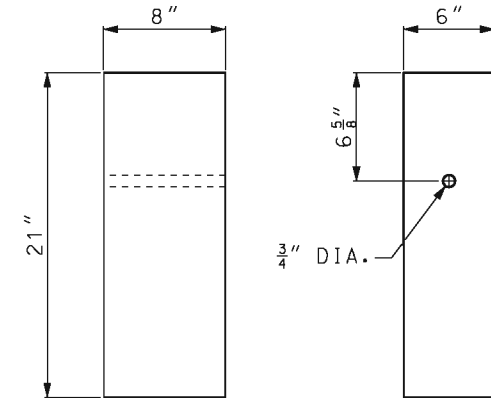
THRIE BEAM ANCHOR POSTS





POSTS 2 THROUGH 8  
STANDARD BLOCKS



TAPERED BLOCK

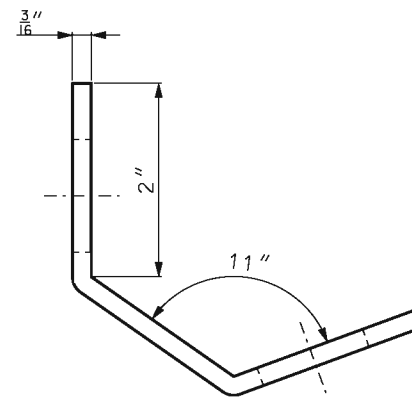
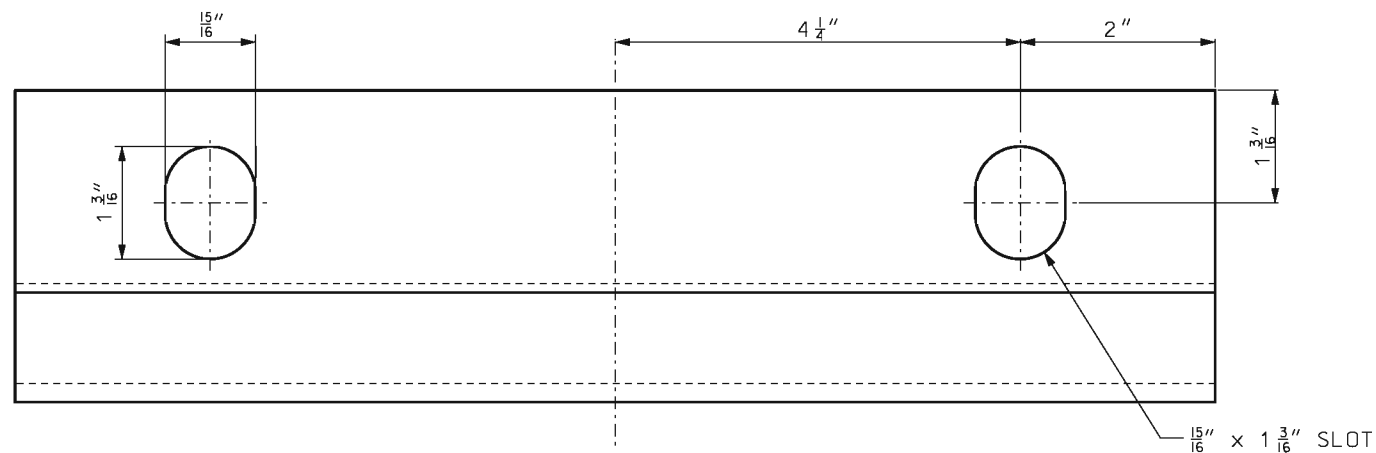
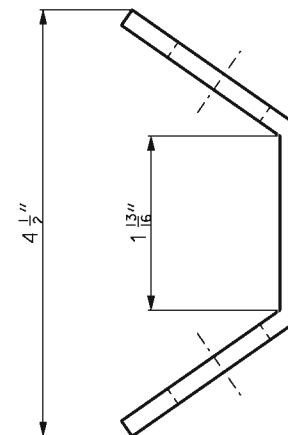
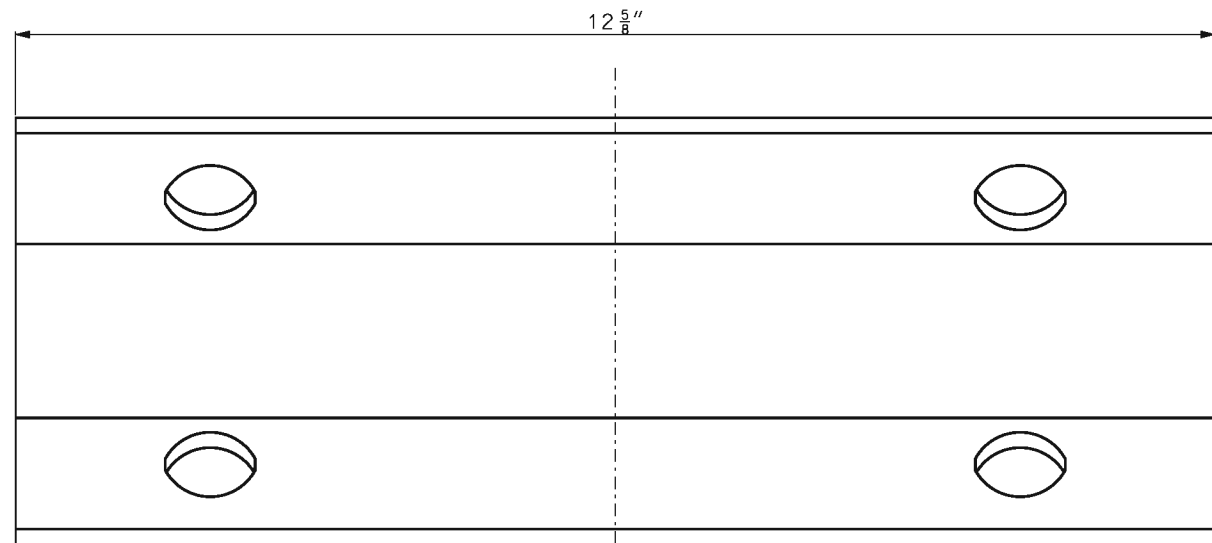


BLOCKS FOR POSTS 9 AND 10  
STANDARD BLOCKS

	<b>MISSOURI HIGHWAYS AND TRANSPORTATION COMMISSION</b> 105 WEST CAPITOL JEFFERSON CITY, MO 65102 1-888-ASK-MODOT (1-888-275-6636)	
		<b>MEDIAN PIER PROTECTION</b> <b>BULLNOSE GUARDRAIL SYSTEM</b> <b>POST AND BLOCKS</b>
DATE EFFECTIVE: 08/01/2012 DATE PREPARED: 7/27/2012	<b>606.01F</b>	SHEET NO. 4 OF 9

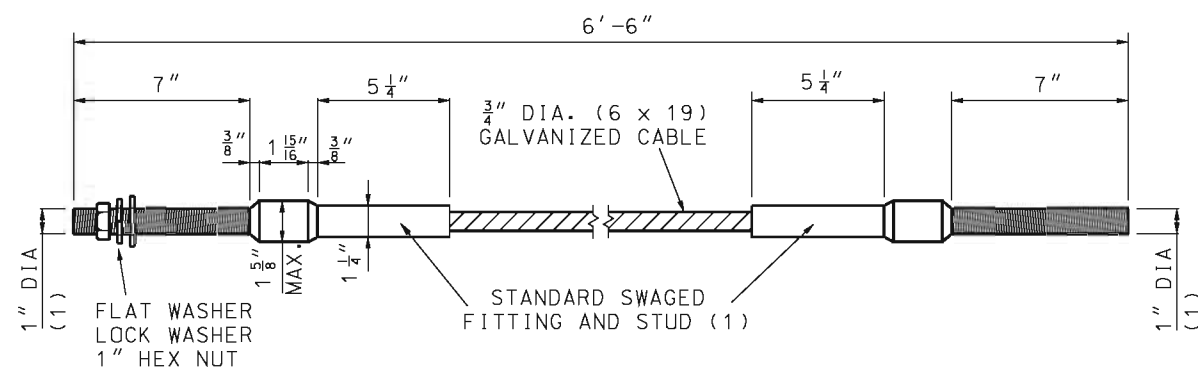
IF A SEAL IS PRESENT ON THIS SHEET IT HAS BEEN ELECTRONICALLY SEALED AND DATED.



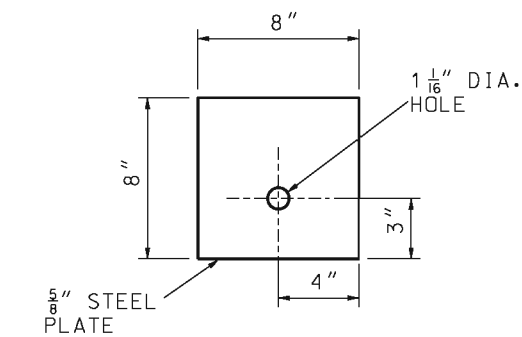


**STEEL PLATE, A306**  
**12 5/8" x 5 7/8" x 3/16"**

(1) STUD, THREADED ENTIRE LENGTH.



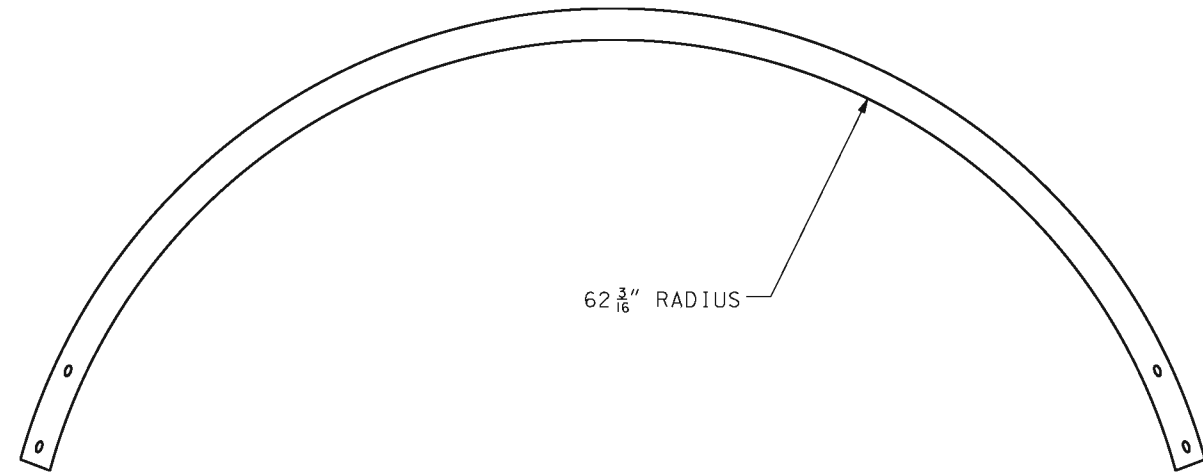
**DETAIL OF CABLE ASSEMBLY**



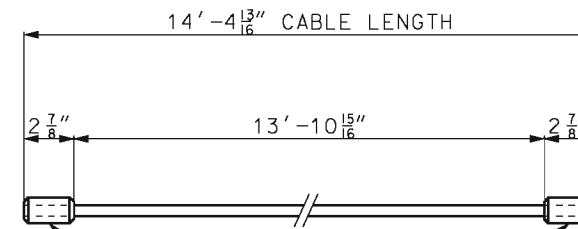
**DETAIL OF STEEL BEARING PLATE**

	<b>MISSOURI HIGHWAYS AND TRANSPORTATION COMMISSION</b> 105 WEST CAPITOL JEFFERSON CITY, MO 65102 1-888-ASK-MODOT (1-888-275-6636)	
		<b>MEDIAN PIER PROTECTION</b> <b>BULLNOSE GUARDRAILS SYSTEM</b> <b>PLATES AND CABLE ASSEMBLY</b>
DATE EFFECTIVE: 08/01/2012 DATE PREPARED: 7/27/2012	<b>606.01F</b>	SHEET NO. <b>6 OF 9</b>

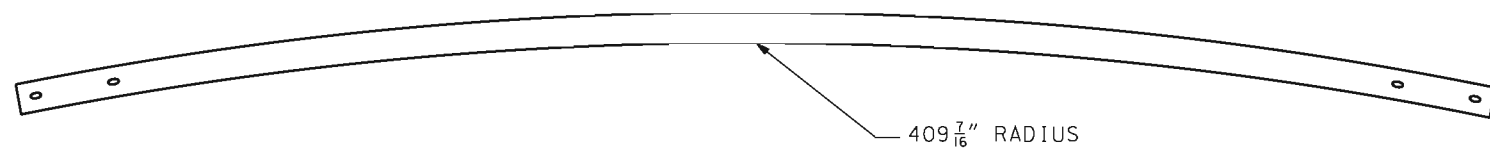
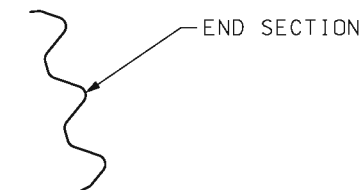
IF A SEAL IS PRESENT ON THIS SHEET IT HAS BEEN ELECTRONICALLY SEALED AND DATED.



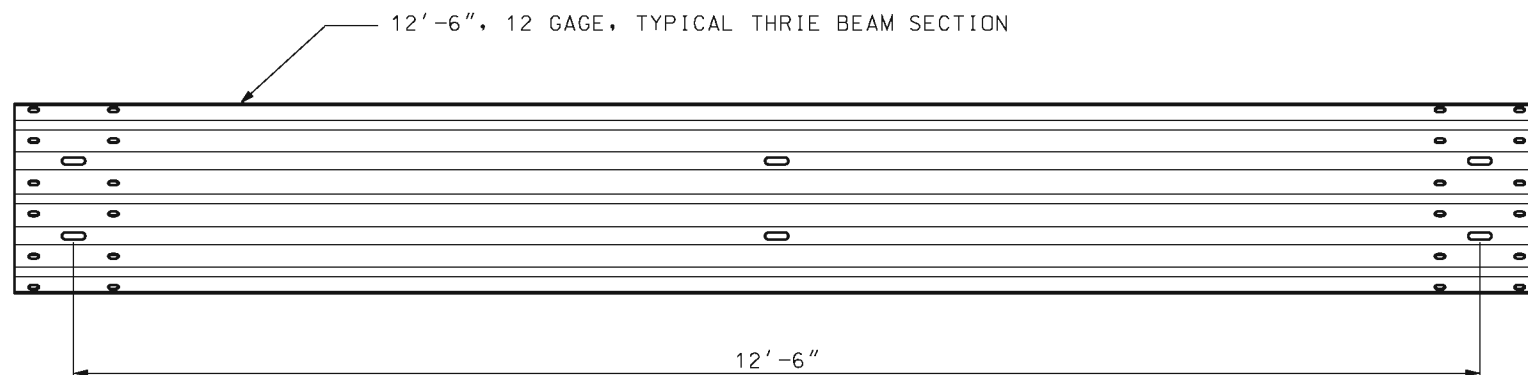
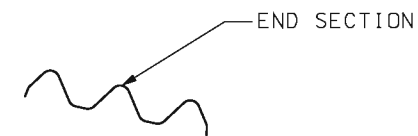
TOP VIEW, RAIL #1



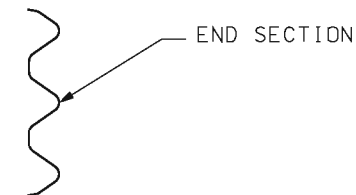
"COLD TUFF" BUTTON, S-409 SIZE NO. 12 SB 2  $\frac{7}{8}$ "  
STOCK NO. 1040395 FOR  $\frac{5}{8}$ " DIA (6 x 25) WIRE ROPE  
(OR ANY SIMILARLY SIZED SWAGE-GRIP BUTTON FERRULES)



TOP VIEW, RAIL #2



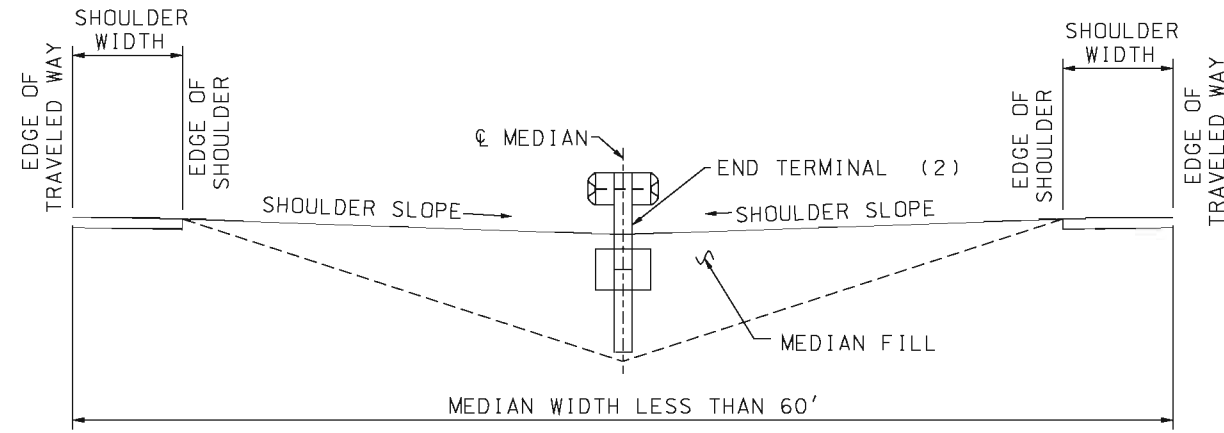
FRONT VIEW (UNBENT)



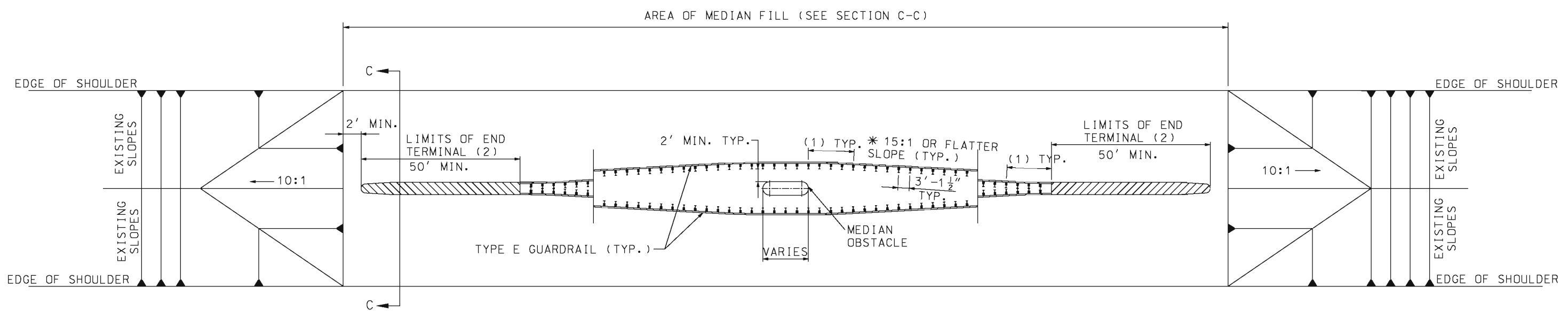
	<b>MISSOURI HIGHWAYS AND TRANSPORTATION COMMISSION</b> 105 WEST CAPITOL JEFFERSON CITY, MO 65102 1-888-ASK-MODOT (1-888-275-6636)	
		<b>MEDIAN PIER PROTECTION</b> <b>BULLNOSE GUARDRAIL SYSTEM</b> <b>THRIE BEAM AND</b> <b>CABLE LENGTH</b>
DATE EFFECTIVE: 08/01/2012 DATE PREPARED: 7/27/2012	<b>606.01F</b>	SHEET NO. 7 OF 9

IF A SEAL IS PRESENT ON THIS SHEET IT HAS BEEN ELECTRONICALLY SEALED AND DATED.

IF A SEAL IS PRESENT ON THIS SHEET IT HAS BEEN ELECTRONICALLY SEALED AND DATED.



SECTION C-C



- (1) TYPE E GUARDRAIL 12'-6" IN LENGTH AND FACTORY FORMED TO THE REQUIRED RADIUS.
- (2) PAYMENT FOR THE END TERMINAL WILL BE CONSIDERED FULL COMPENSATION FOR ANY TRANSITION SECTIONS, BACKUP ASSEMBLIES, OR OTHER ITEMS NECESSARY FOR PROPER INSTALLATION AS REQUIRED BY THE MANUFACTURER.
- \* VARY SLOPE NO STEEPER THAN 15:1 TO UTILIZE A FULL 12.5' LENGTH OF GUARDRAIL WHEN ATTACHING TO THE CRASHWORTHY END TERMINAL.

GENERAL NOTES:  
 TYPE B CRASHWORTHY END TERMINAL SHALL BE LATEST VERSION AND SHALL BE INSTALLED ACCORDING TO MANUFACTURER'S RECOMENDATIONS.

	<b>MISSOURI HIGHWAYS AND TRANSPORTATION COMMISSION</b> <small>105 WEST CAPITOL        JEFFERSON CITY, MO 65102        1-888-ASK-MODOT (1-888-275-6636)</small>
	<h2 style="margin: 0;">TYPE E MEDIAN PIER PROTECTION</h2> <p style="margin: 0;">MEDIAN LESS THAN 60'</p>
THIS SHEET HAS BEEN SIGNED, SEALED AND DATED ELECTRONICALLY.	DATE EFFECTIVE: 08/01/2012 DATE PREPARED: 7/27/2012
606.01F	SHEET NO. <b>8 OF 9</b>



