



ADDENDUM NUMBER ONE

DATE: September 22, 2020

OWNER: City of Valley Park, Missouri

SUBJECT: Addendum Number One to
St. Louis Avenue Phase 1 Improvements
Federal Project No. STP-9901(641)
Cochran Project No. SC18-809

This Addendum forms a part of the Bidding and Contract Documents and modifies the original Bidding Documents. **FAILURE TO ACKNOWLEDGE RECEIPT OF ADDENDUM MAY SUBJECT BIDDER TO DISQUALIFICATION.**

ITEM:

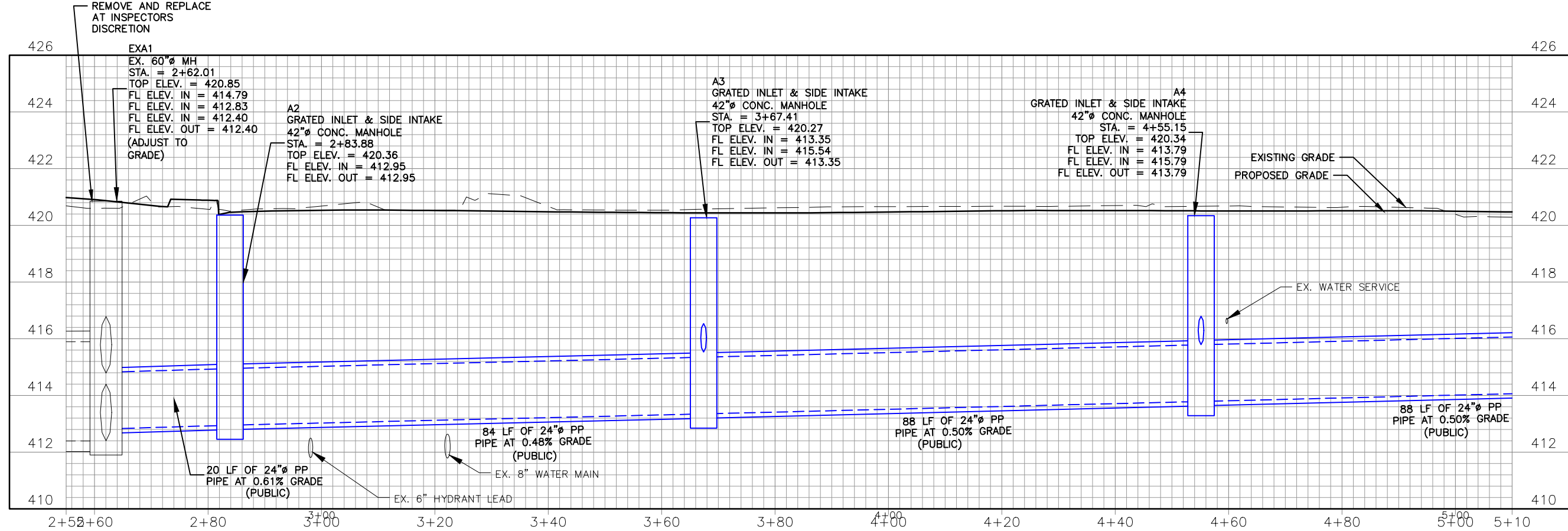
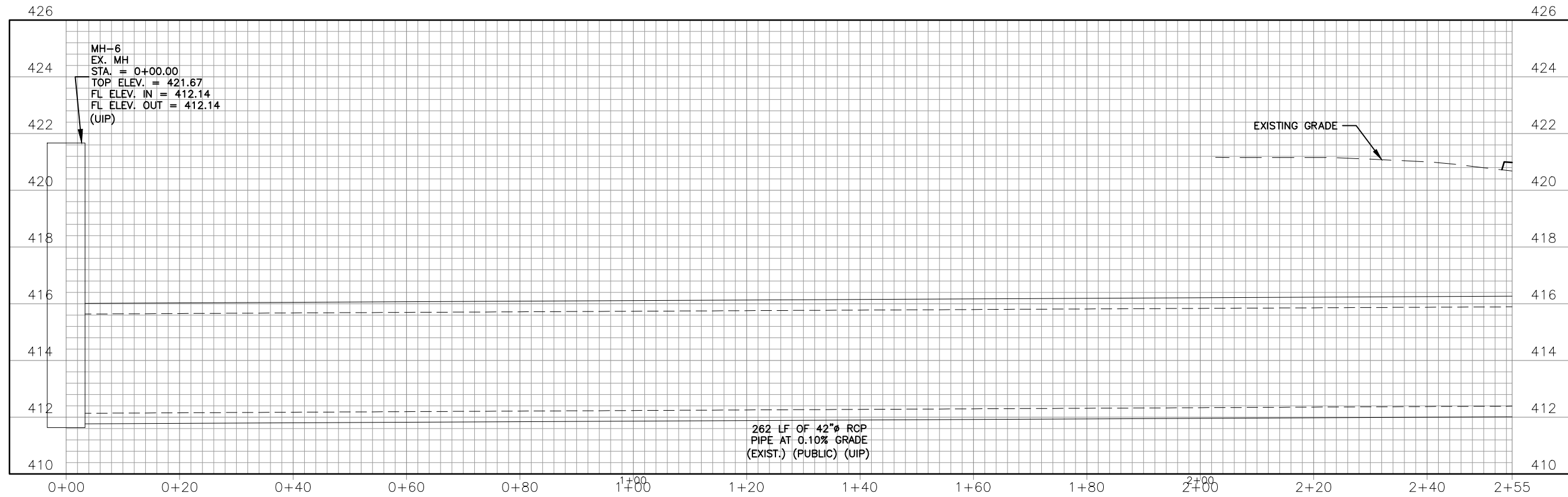
1. **REPLACE:** In the Plans, Storm Sewer Plan and Profile sheets PR-1 through PR-10, with the attached **revised Storm Sewer Plan and Profile sheets PR-1 through PR-10**. There were notes missing from the design that have been added.
2. **REPLACE:** In the Project Manual, the Federal and State Prevailing Wage Rates with the attached updated Federal and State Prevailing Wage Rates.

ATTACHMENTS: Revised Storm Sewer Plan and Profile sheets PR-1, PR-2, PR-3, PR-4, PR-5, PR-6, PR-7, PR-8, PR-9, PR-10

Updated State Prevailing Wage Section
Updated Federal Prevailing Wage Section

END ADDENDUM NO. 1

SEWER PROFILES



314-842-4033 (tel.)
314-842-5957 (fax)
www.cochraneng.com

COCHRAN

737 RUDDER ROAD
FENTON, MISSOURI 65026

Civil Engineering
Land Surveying
Architecture
Site Development
Master Planning
General Consulting
ENGINEERING CERTIFICATE OF AUTHORITY NUMBER - 2007006937
LAND SURVEYING CERTIFICATE OF AUTHORITY NUMBER - 2007004529

STATE OF MISSOURI

KEVIN J. WOLFF P.E.
NO. PE-200400889
STATE OF MISSOURI
REGISTERED PROFESSIONAL ENGINEER
FOR SC ENGINEERING LLC
DBA COCHRAN

5/11/20

THIS SHEET HAS BEEN SIGNED,
SEALED AND DATED ELECTRONICALLY

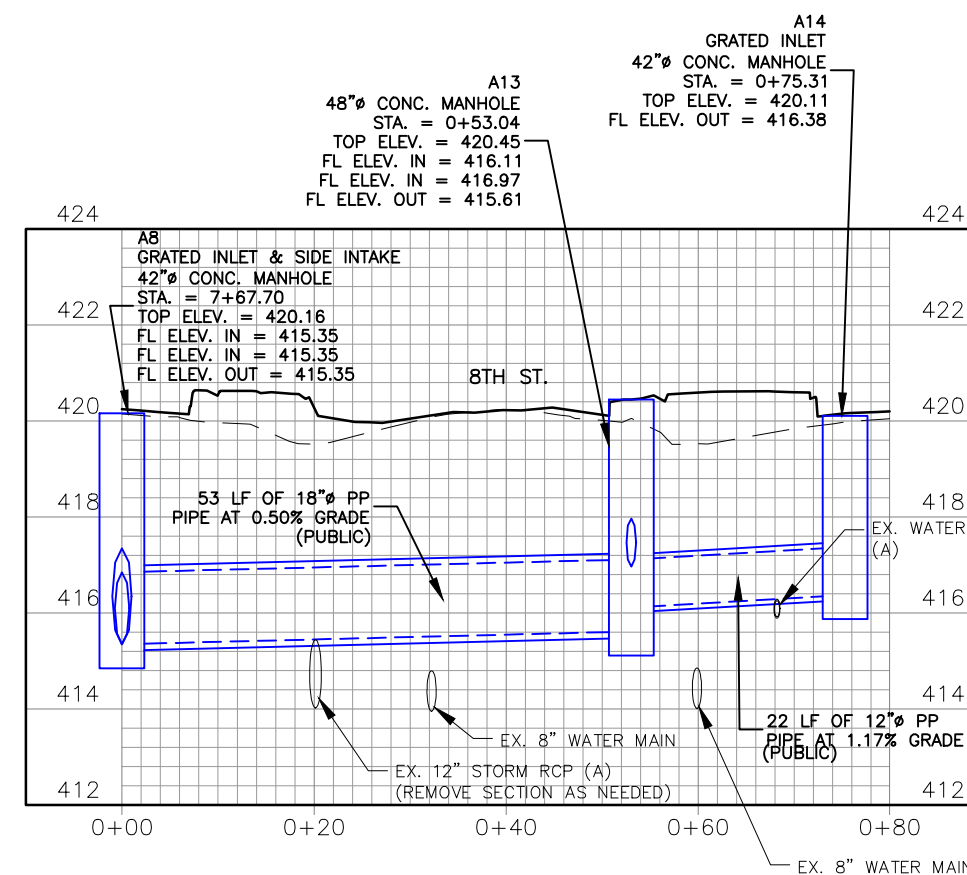
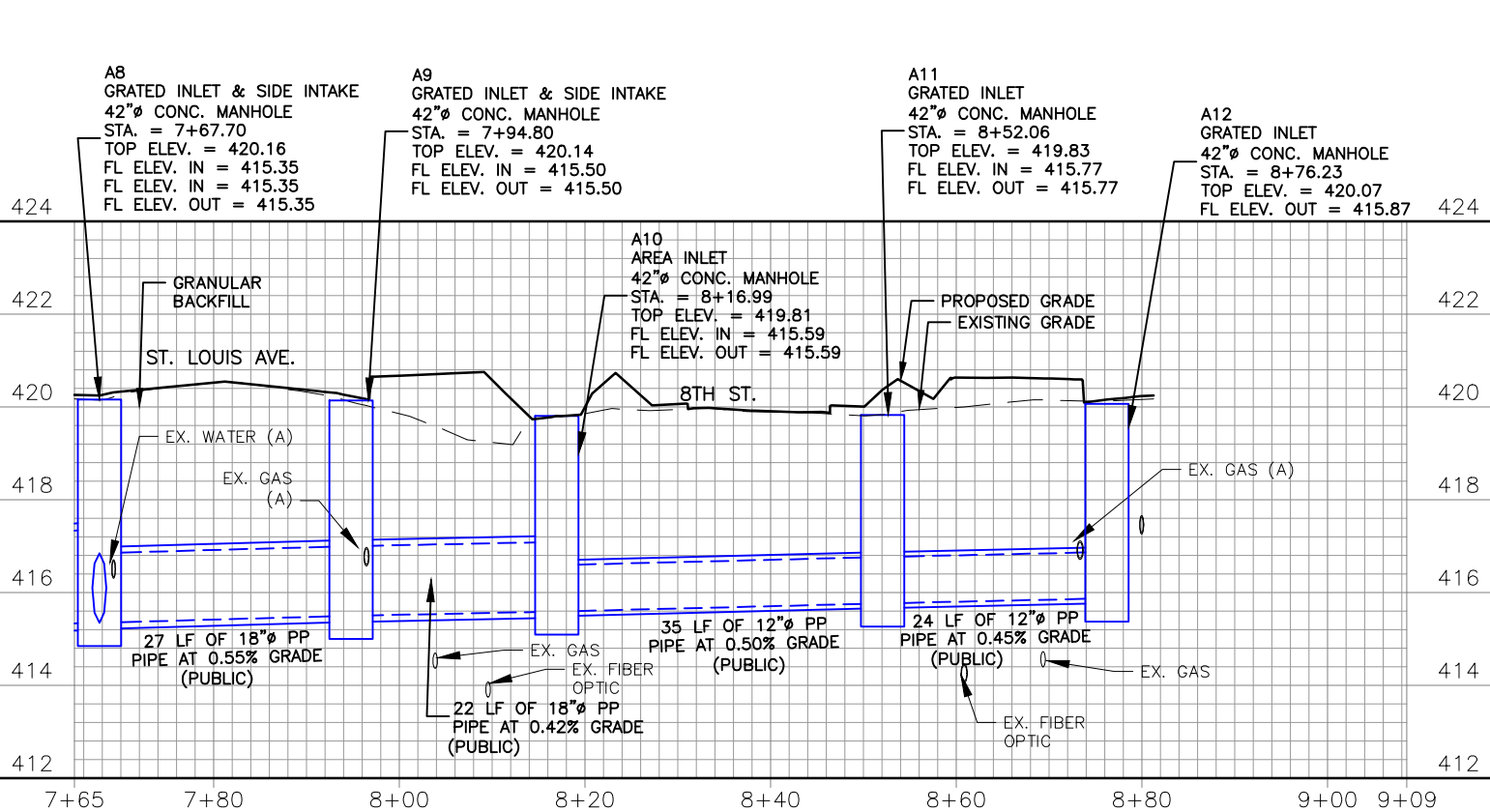
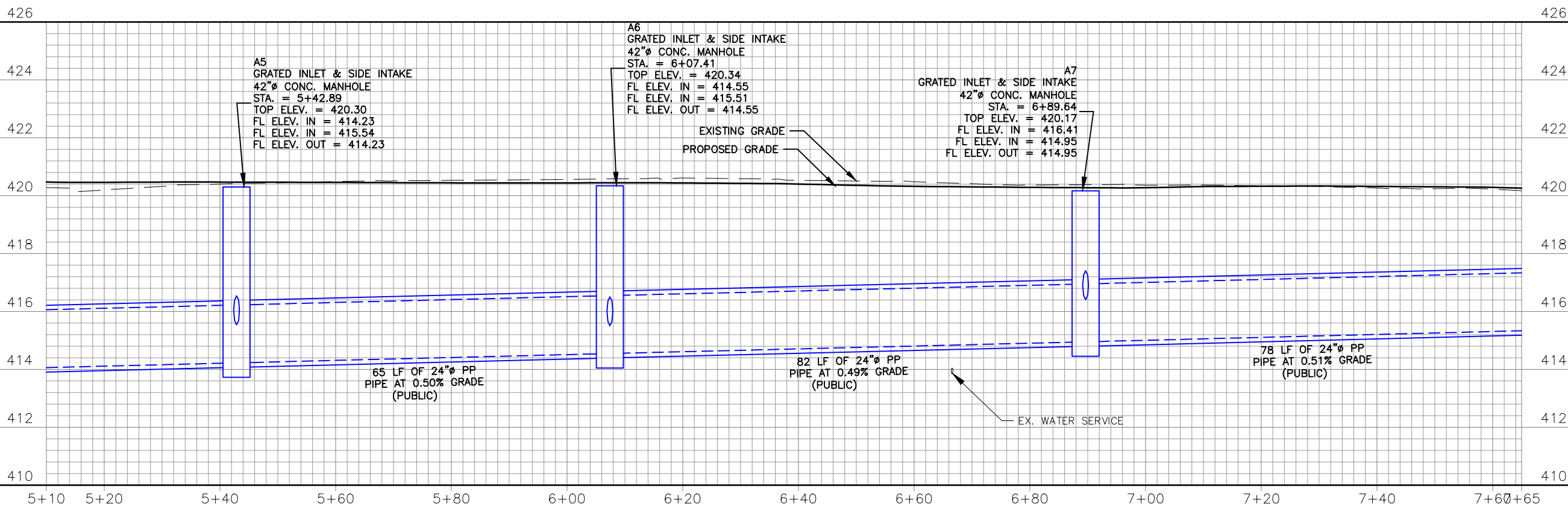
THE PROFESSIONAL'S SEAL AFFIXED TO
THIS SHEET APPLIES ONLY TO ITEMS
ON THIS SHEET. ALL DRAWINGS OR
OTHER DOCUMENTS NOT EXHIBITING
THIS SEAL SHALL NOT BE CONSIDERED
PREPARED BY THIS PROFESSIONAL.

ST. LOUIS AVE. PH. 1 IMPROVEMENTS
FEDERAL PROJECT NO. STP-9901(641)
CITY OF VALLEY PARK, MISSOURI

STORM PLAN AND PROFILE

DATE:	9/22/20	REVISION:	ADD. 1 (FIXED STR. LABELS)
DWN. BY:	K.J.W.	APPD. BY:	M.D.S.
DATE:	MAY 2020		
SCALE:	1" = 20'		
PROJ. NO.:	SC18-809		
DWG. NO.:	PR-1		

SEWER PROFILES



Drawing name: I:\SC18-809 St. Louis Ave. Ph. 1 (7th St. to Levee Closure) Valley Park, MO\AUTOCAD DRAWINGS\STORM PLAN AND PROFILE.dwg Tab: PR-2 Plotted on: Sep 21, 2020 - 1:56pm Plotted by: kwcliff

314-842-4033 (tel.)
 314-842-5957 (fax)
 www.cochraneng.com

COCHRAN
 737 RUDDER ROAD
 FENTON, MISSOURI 65026

Civil Engineering
 Land Surveying
 Architecture
 Site Development
 Master Planning
 General Consulting

ENGINEERING CERTIFICATE OF AUTHORITY NUMBER - 2007006937
 LAND SURVEYING CERTIFICATE OF AUTHORITY NUMBER - 2007004529

STATE OF MISSOURI
 KEVIN J. WOLFF, P.E.
 PE 2007006937
 PROFESSIONAL ENGINEERING

5/1/20
 KEVIN J. WOLFF
 NO. PE-200400089
 STATE OF MISSOURI
 REGISTERED PROFESSIONAL ENGINEER
 FOR SC ENGINEERING LLC
 DBA COCHRAN

THIS SHEET HAS BEEN SIGNED,
 SEALED AND DATED ELECTRONICALLY

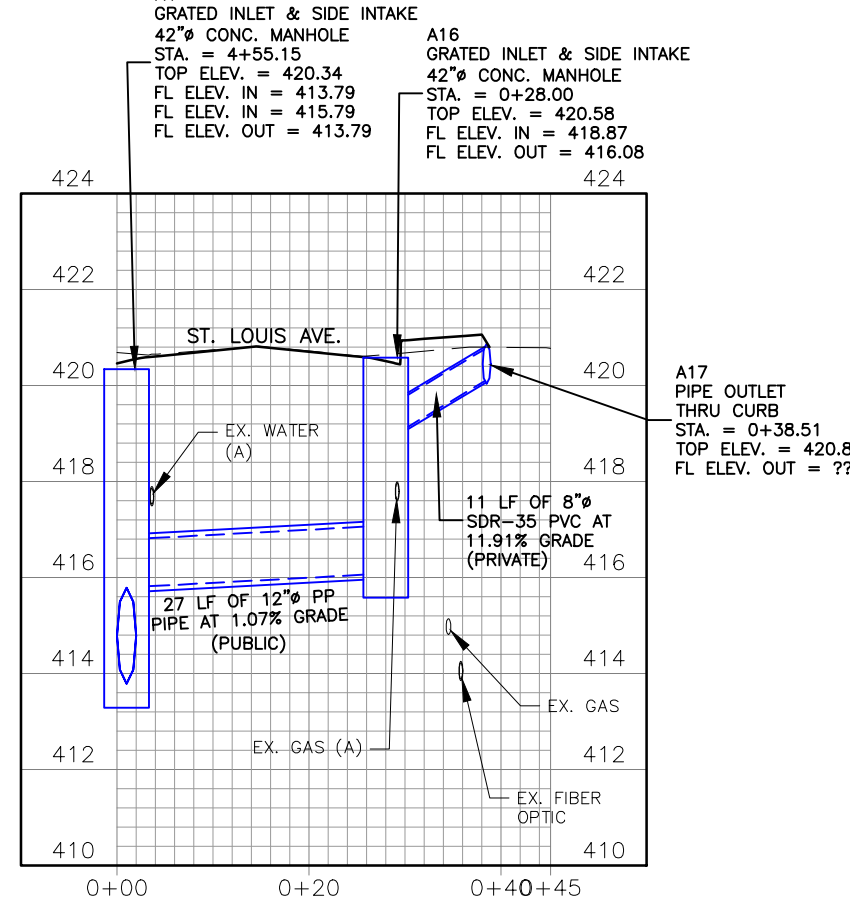
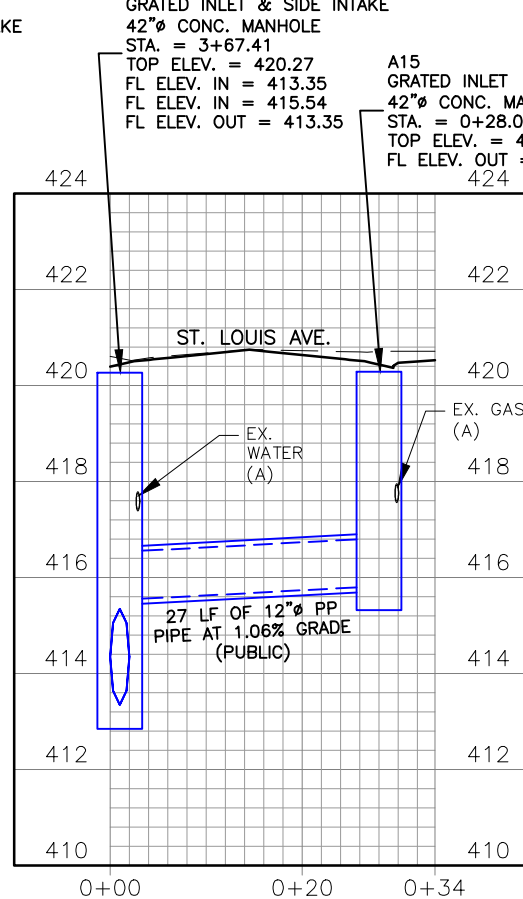
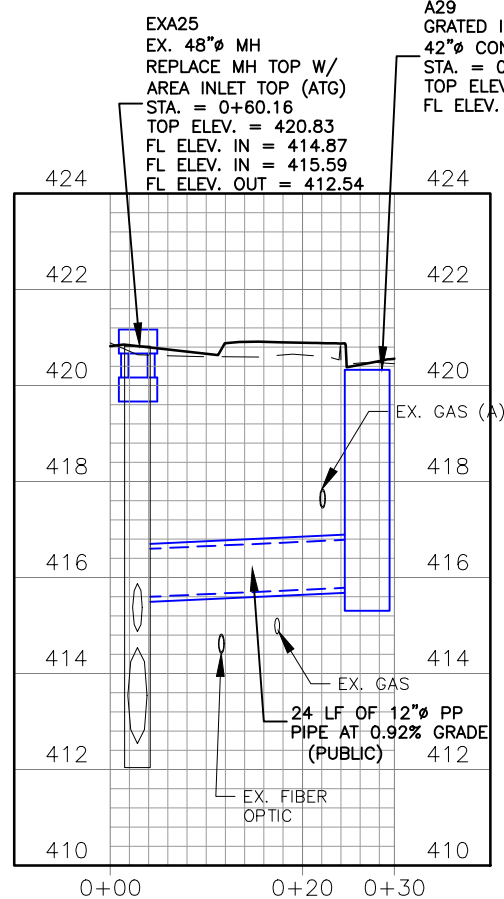
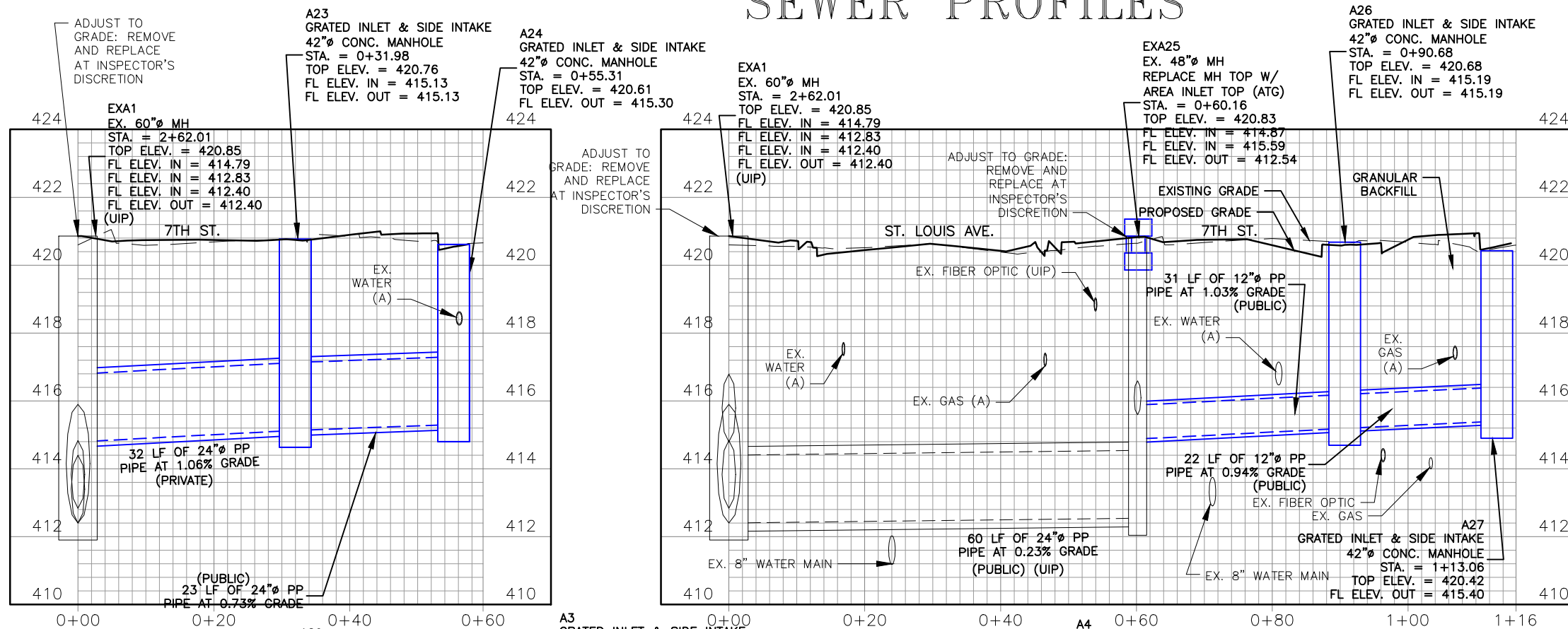
THE PROFESSIONAL SEAL AFFIXED TO
 THIS SHEET APPLIES ONLY TO ITEMS
 ON THIS SHEET. ALL DRAWINGS OR
 OTHER DOCUMENTS NOT EXHIBITING
 THIS SEAL SHALL NOT BE CONSIDERED
 PREPARED BY THIS PROFESSIONAL.

ST. LOUIS AVE. PH. 1 IMPROVEMENTS
FEDERAL PROJECT NO. STP-9901(641)
CITY OF VALLEY PARK, MISSOURI

STORM PLAN AND PROFILE

DATE:	9/22/20	ADD. 1 (FIXED STR. LABELS)	
DWN. BY:	K.J.W.	APPD. BY:	M.D.S.
DATE:	MAY 2020		
SCALE:	1" = 20'		
PROJ. NO.:	SC18-809		
DWG. NO.:	PR-2		

SEWER PROFILES



Drawing name: U:\SC18-609 St. Louis Ave. Ph. 1 (7th St. to Levee Closure) Valley Park, MO\AUTOCAD DRAWINGS\STORM PLAN AND PROFILE.dwg Tab: PR-3 Plotted on: Sep 21, 2020 - 1:56pm Plotted by: kwcliff

314-842-4033 (tel.)
314-842-5957 (fax)
www.cochraneng.com

COCHRAN
Civil Engineering
Land Surveying
Architecture
Site Development
Master Planning
General Consulting

737 RUDDER ROAD
FENTON, MISSOURI 65026

ENGINEERING CERTIFICATE OF AUTHORITY NUMBER - 2007006937
LAND SURVEYING CERTIFICATE OF AUTHORITY NUMBER - 2007004529

STATE OF MISSOURI
KEVIN J. WOLFF, P.E.
N. J. Wolff
PE 2007006937
PROFESSIONAL ENGINEER

5/11/20
KEVIN J. WOLFF
NO. PE-200400889
STATE OF MISSOURI
REGISTERED PROFESSIONAL ENGINEER
FOR SC ENGINEERING LLC,
DBA COCHRAN

THIS SHEET HAS BEEN SIGNED,
SEALED AND DATED ELECTRONICALLY

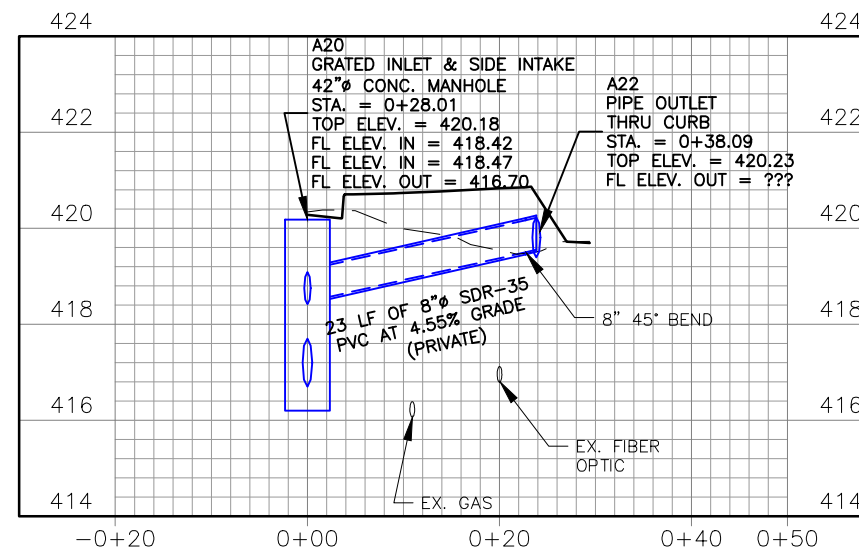
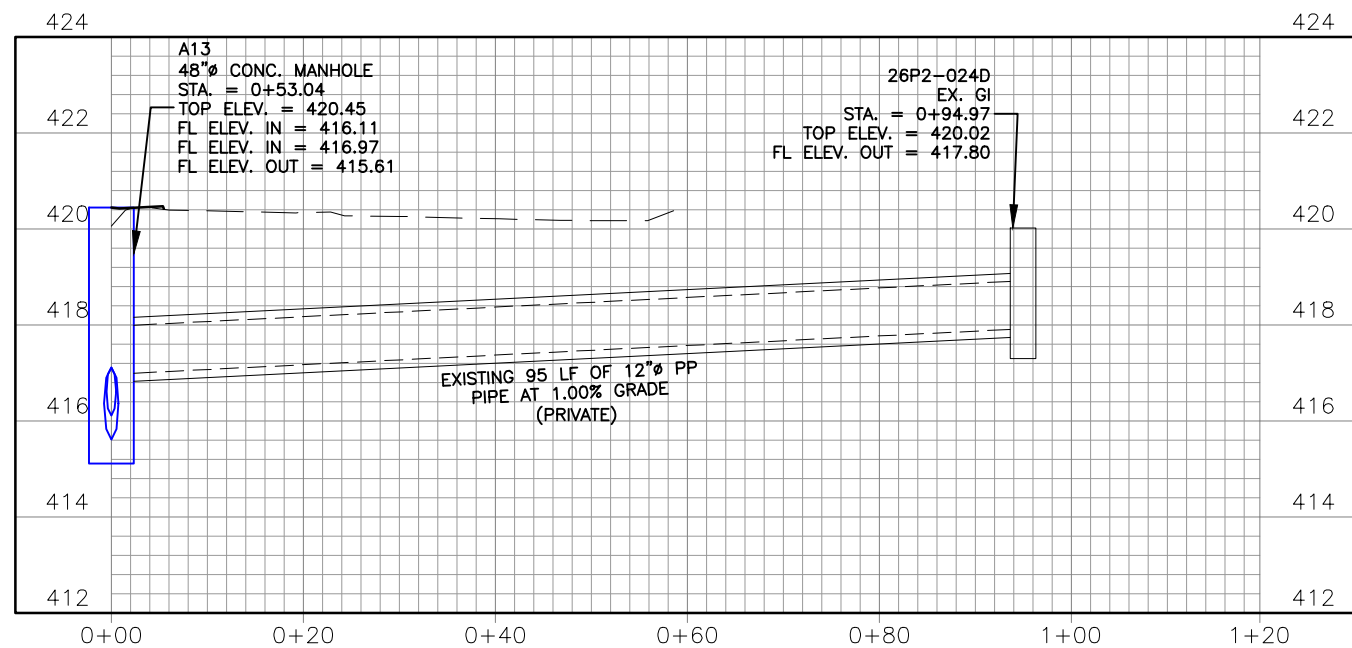
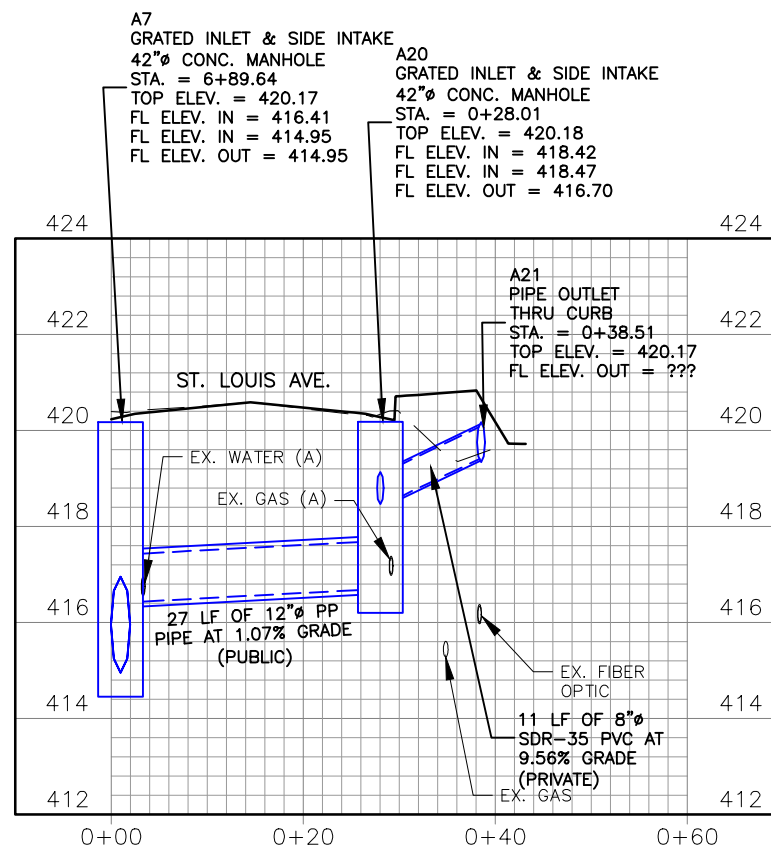
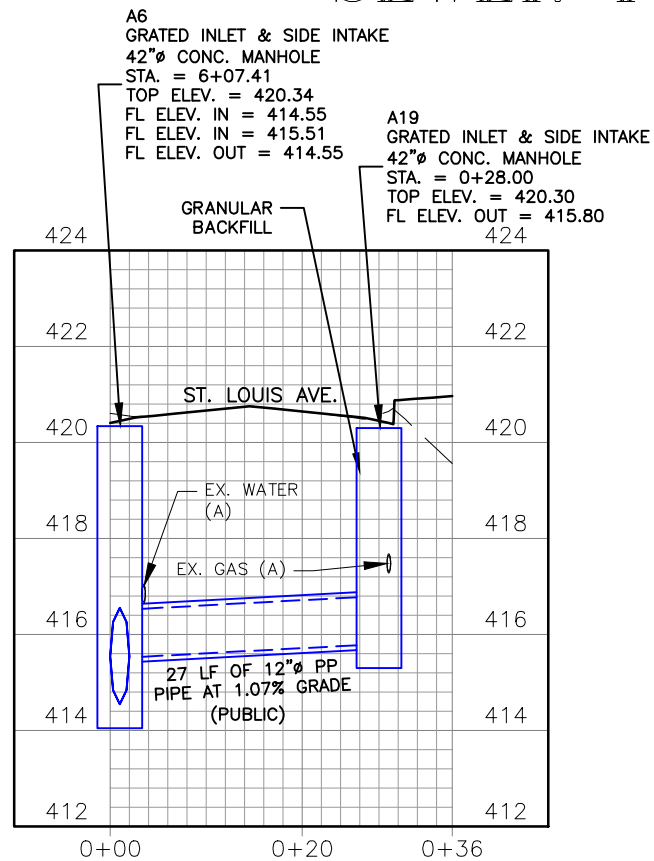
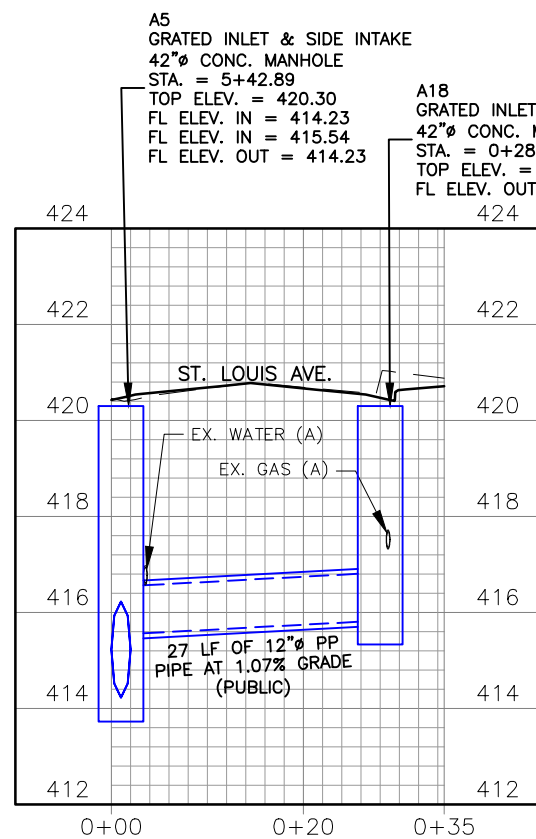
THE PROFESSIONAL'S SEAL AFFIXED TO
THIS SHEET APPLIES ONLY TO ITEMS
ON THIS SHEET. ALL DRAWINGS OR
OTHER DOCUMENTS NOT EXHIBITING
THIS SEAL SHALL NOT BE CONSIDERED
PREPARED BY THIS PROFESSIONAL.

ST. LOUIS AVE. PH. 1 IMPROVEMENTS
FEDERAL PROJECT NO. STP-9901(641)
CITY OF VALLEY PARK, MISSOURI

DATE	REVISION	ADD.	STR.	LABEL(S)
07/22/20	ADD. 1	(FIXED STR.)		

DWN. BY: K.J.W. APPD. BY: M.D.S.
DATE: MAY 2020
SCALE: 1" = 20'
PROJ. NO.: SC18-809
DWG. NO.: PR-3

SEWER PROFILES



Drawing name: I:\SC18-809 St. Louis Ave. Ph. 1 (7th St. to Levee Closure) Valley Park, MO\AUTOCAD DRAWINGS\STORM PLAN AND PROFILE.dwg Tab: PR-4 Plotted on: Sep 21, 2020 - 1:57pm Plotted by: kwcliff

314-842-4033 (tel.)
 314-842-5957 (fax)
 www.cochraneng.com

COCHRAN
 Civil Engineering
 Land Surveying
 Architecture
 Site Development
 Master Planning
 General Consulting

737 RUDDER ROAD
 FENTON, MISSOURI 65026

ENGINEERING CERTIFICATE OF AUTHORITY NUMBER - 2007006937
 LAND SURVEYING CERTIFICATE OF AUTHORITY NUMBER - 2007004529

STATE OF MISSOURI
 KEVIN J. WOLFF, P.E.
 PROFESSIONAL ENGINEER
 5/1/20
 KEVIN J. WOLFF
 NO. PE-200400889
 STATE OF MISSOURI
 REGISTERED PROFESSIONAL ENGINEER
 FOR SC ENGINEERING LLC
 DBA COCHRAN

THIS SHEET HAS BEEN SIGNED,
 SEALED AND DATED ELECTRONICALLY

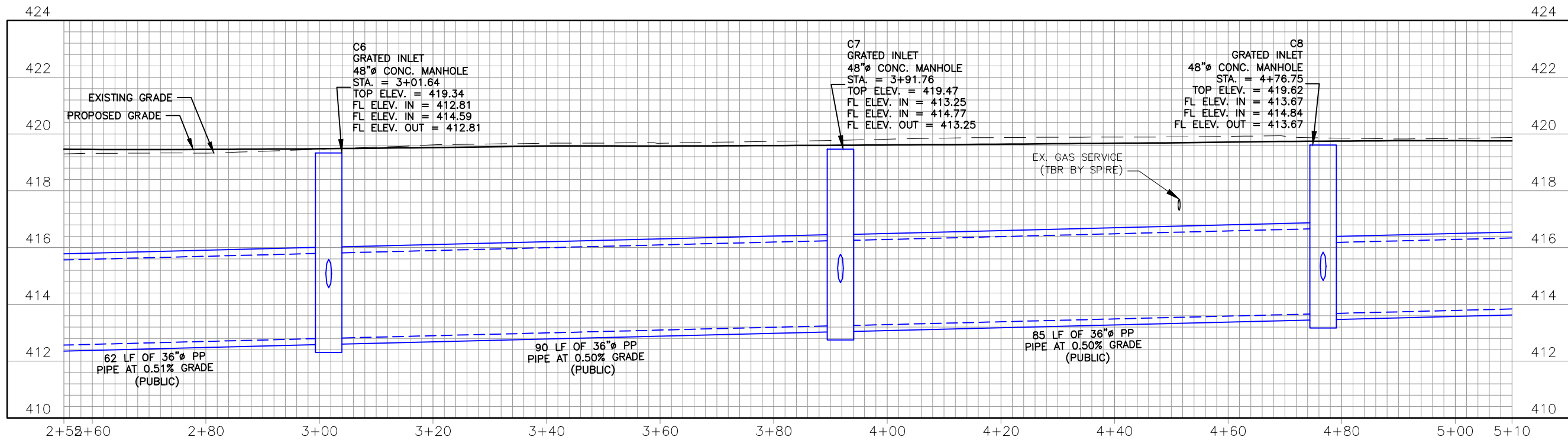
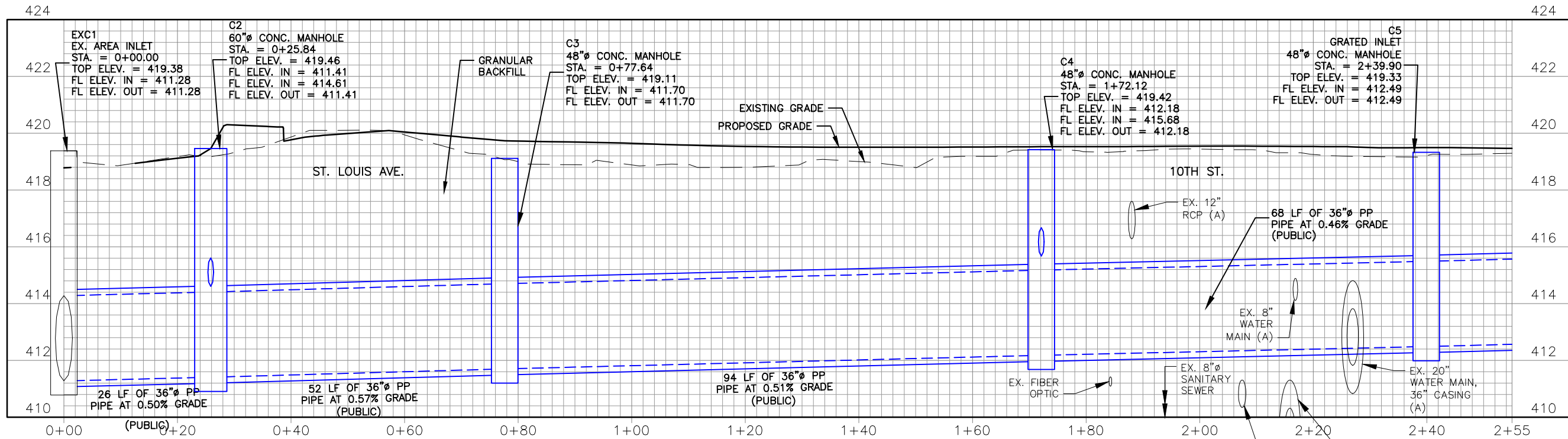
THE PROFESSIONAL'S SEAL AFFIXED TO
 THIS SHEET APPLIES ONLY TO ITEMS
 ON THIS SHEET. ALL DRAWINGS OR
 OTHER DOCUMENTS NOT EXHIBITING
 THIS SEAL SHALL NOT BE CONSIDERED
 PREPARED BY THIS PROFESSIONAL.

ST. LOUIS AVE. PH. 1 IMPROVEMENTS
 FEDERAL PROJECT NO. STP-9901(641)
 CITY OF VALLEY PARK, MISSOURI

DATE	REVISION	ADD.	STR.	LABEL(S)
07/22/20	ADD. 1			

DWN. BY: K.J.W. APPD. BY: M.D.S.
 DATE: MAY 2020
 SCALE: 1" = 20'
 PROJ. NO.: SC18-809
 DWG. NO.: PR-4

SEWER PROFILES



Drawing name: U:\SC18-809 St. Louis Ave. Ph. 1 (7th St. to Levee Closure) Valley Park, MO\AUTOCAD DRAWINGS\STORM PLAN AND PROFILE.dwg Tab: PR-5 Plotted on: Sep 21, 2020 - 1:57pm Plotted by: kwcliff

314-842-4033 (tel.)
314-842-5957 (fax)
www.cochraneng.com

COCHRAN
737 RUDDER ROAD
FENTON, MISSOURI 65026

Civil Engineering
Land Surveying
Architecture
Site Development
Master Planning
General Consulting
ENGINEERING CERTIFICATE OF AUTHORITY NUMBER - 2007006937
LAND SURVEYING CERTIFICATE OF AUTHORITY NUMBER - 2007004529

STATE OF MISSOURI
KEVIN J. WOLFF, P.E.
NO. PE-200400869
STATE OF MISSOURI
REGISTERED PROFESSIONAL ENGINEER
FOR SC ENGINEERING LLC, DBA COCHRAN

5/1/20
THIS SHEET HAS BEEN SIGNED,
SEALED AND DATED ELECTRONICALLY

THE PROFESSIONAL'S SEAL AFFIXED TO
THIS SHEET APPLIES ONLY TO ITEMS
ON THIS SHEET. ALL DRAWINGS OR
OTHER DOCUMENTS NOT EXHIBITING
THIS SEAL SHALL NOT BE CONSIDERED
PREPARED BY THIS PROFESSIONAL.

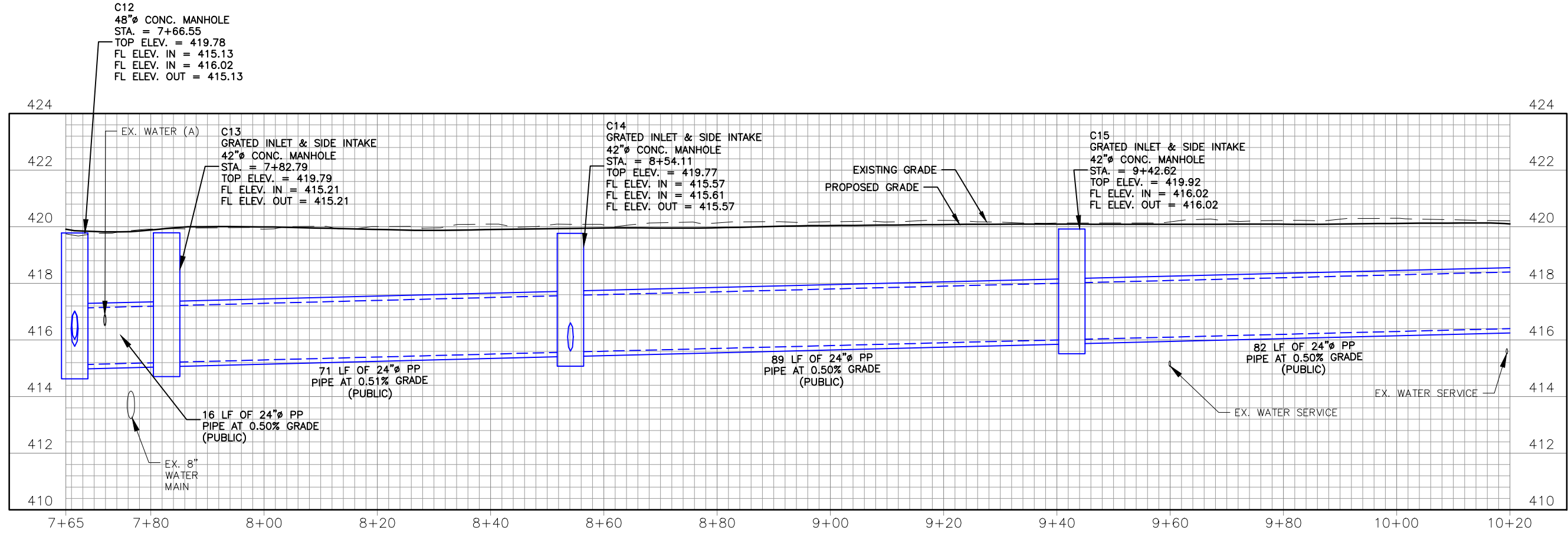
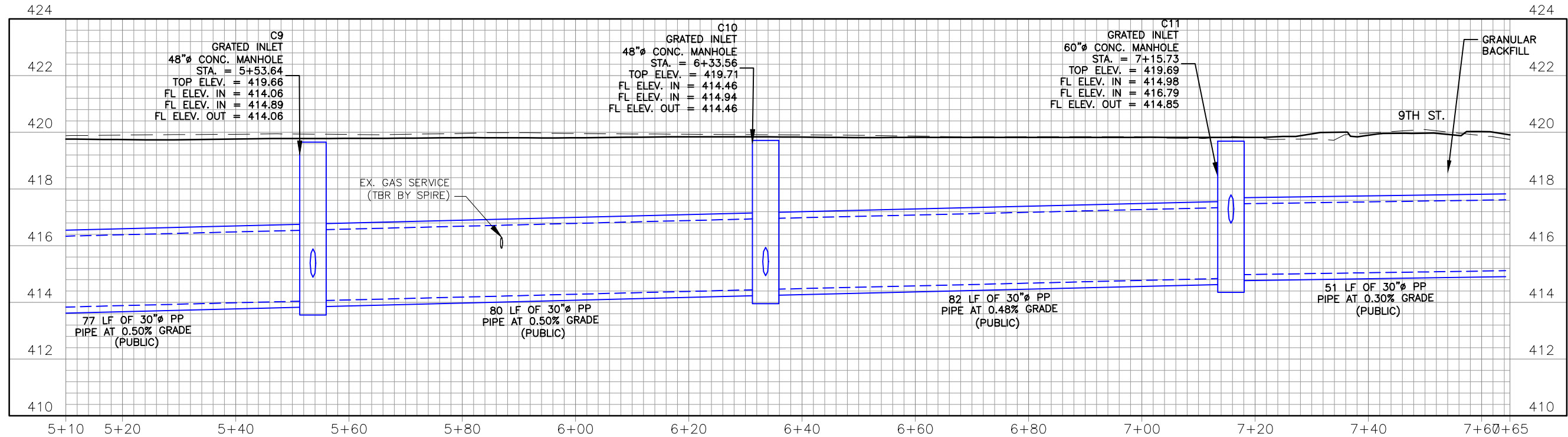
ST. LOUIS AVE. PH. 1 IMPROVEMENTS
FEDERAL PROJECT NO. STP-9901(641)
CITY OF VALLEY PARK, MISSOURI

STORM PLAN AND PROFILE

DATE	REVISION	ADD.	STR.	LABELS
9/22/20	ADD.	1	(FIXED STR.)	

DWN. BY: K.J.W. APPD. BY: M.D.S.
DATE: MAY 2020
SCALE: 1" = 20'
PROJ. NO.: SC18-809
DWG. NO.: PR-5

SEWER PROFILES



Drawing name: I:\SC18-809 St. Louis Ave. Ph. 1 (7th St. to Levee Closure) Valley Park, MO\AUTOCAD DRAWINGS\STORM PLAN AND PROFILE.dwg Tab: PR-6 Plotted on: Sep 21, 2020 - 1:57pm Plotted by: kwcliff

314-842-4033 (tel.)
314-842-5957 (fax)
www.cochraneng.com

COCHRAN

737 RUDDER ROAD
FENTON, MISSOURI 65026

Civil Engineering
Land Surveying
Architecture
Site Development
Master Planning
General Consulting
ENGINEERING CERTIFICATE OF AUTHORITY NUMBER - 2007006937
LAND SURVEYING CERTIFICATE OF AUTHORITY NUMBER - 2007004529

STATE OF MISSOURI

KEVIN J. WOLFF, P.E.
NO. PE-200400869
STATE OF MISSOURI
REGISTERED PROFESSIONAL ENGINEER
FOR SC ENGINEERING LLC,
DBA COCHRAN

5/1/20

THIS SHEET HAS BEEN SIGNED,
SEALED AND DATED ELECTRONICALLY

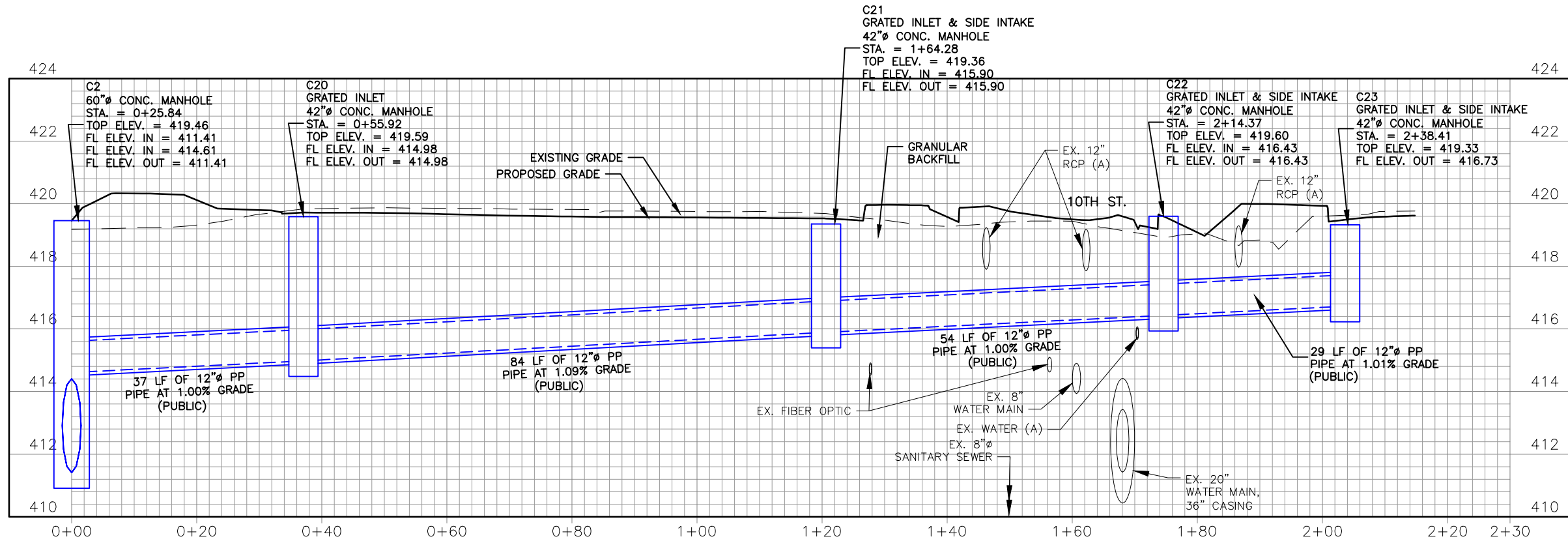
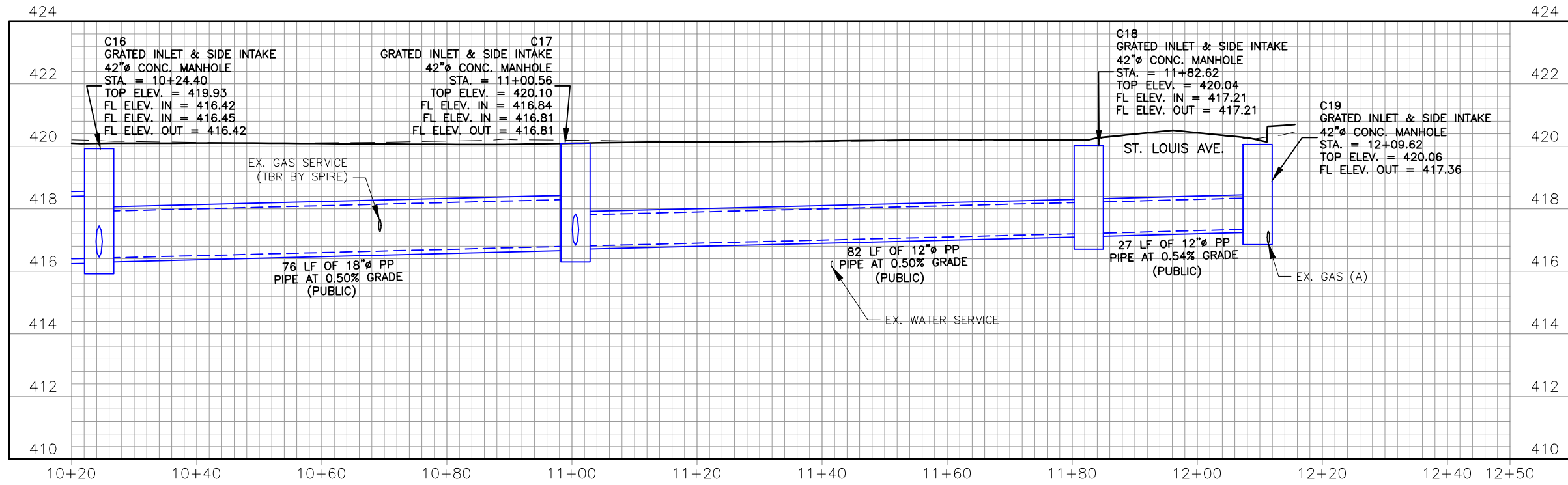
THE PROFESSIONAL'S SEAL AFFIXED TO
THIS SHEET APPLIES ONLY TO ITEMS
ON THIS SHEET. ALL DRAWINGS OR
OTHER DOCUMENTS NOT EXHIBITING
THIS SEAL SHALL NOT BE CONSIDERED
PREPARED BY THIS PROFESSIONAL.

ST. LOUIS AVE. PH. 1 IMPROVEMENTS
FEDERAL PROJECT NO. STP-9901(641)
CITY OF VALLEY PARK, MISSOURI

STORM PLAN AND PROFILE

DATE:	9/22/20	REVISION:	ADD. 1 (FIXED STR. LABELS)
DWN. BY:	K.J.W.	APPD. BY:	M.D.S.
DATE:	MAY 2020		
SCALE:	1" = 20'		
PROJ. NO.:	SC18-809		
DWG. NO.:	PR-6		

SEWER PROFILES



Drawing name: I:\SC18-809 St. Louis Ave. Ph. 1 (7th St. to Levee Closure) Valley Park, MO\AUTOCAD DRAWINGS\STORM PLAN AND PROFILE.dwg Tab: PR-7 Plotted on: Sep 21, 2020 - 1:57pm Plotted by: kwcliff

314-842-4033 (tel.)
314-842-5957 (fax)
www.cochraneng.com

COCHRAN

737 RUDDER ROAD
FENTON, MISSOURI 65026

Civil Engineering
Land Surveying
Architecture
Site Development
Master Planning
General Consulting
ENGINEERING CERTIFICATE OF AUTHORITY NUMBER - 2007006937
LAND SURVEYING CERTIFICATE OF AUTHORITY NUMBER - 2007004529

STATE OF MISSOURI

KEVIN J. WOLFF, P.E.

5/1/20

NO. PE-200400889
STATE OF MISSOURI
REGISTERED PROFESSIONAL ENGINEER
FOR SC ENGINEERING LLC,
DBA COCHRAN

THIS SHEET HAS BEEN SIGNED,
SEALED AND DATED ELECTRONICALLY

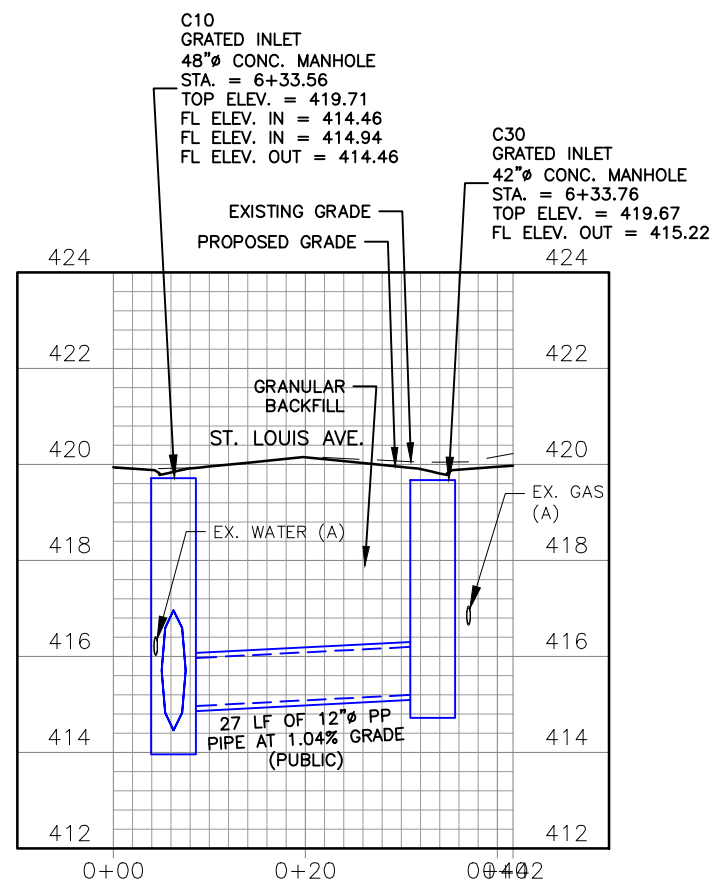
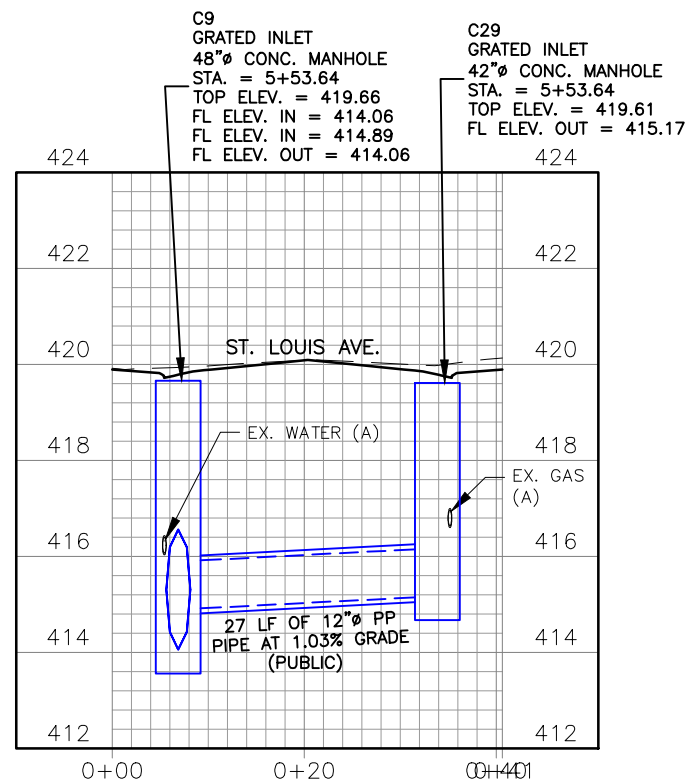
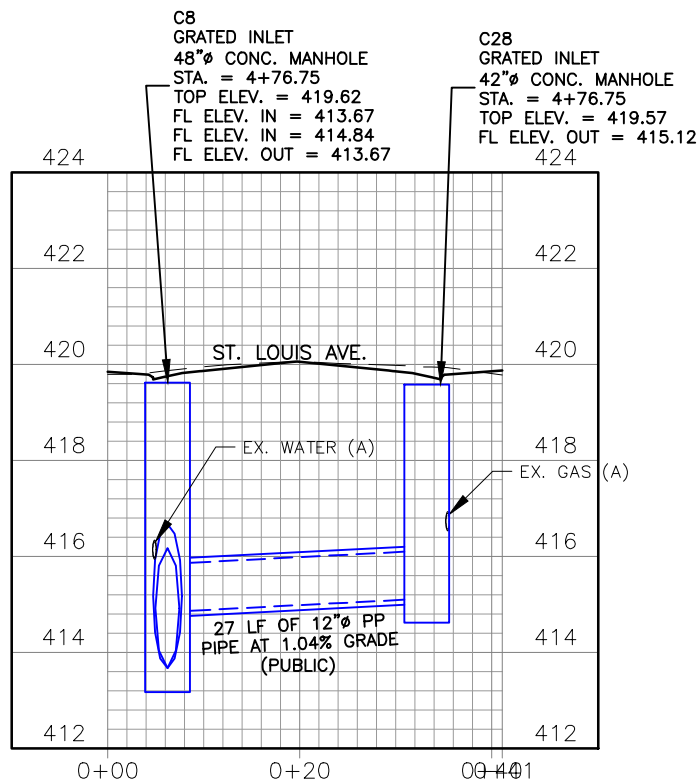
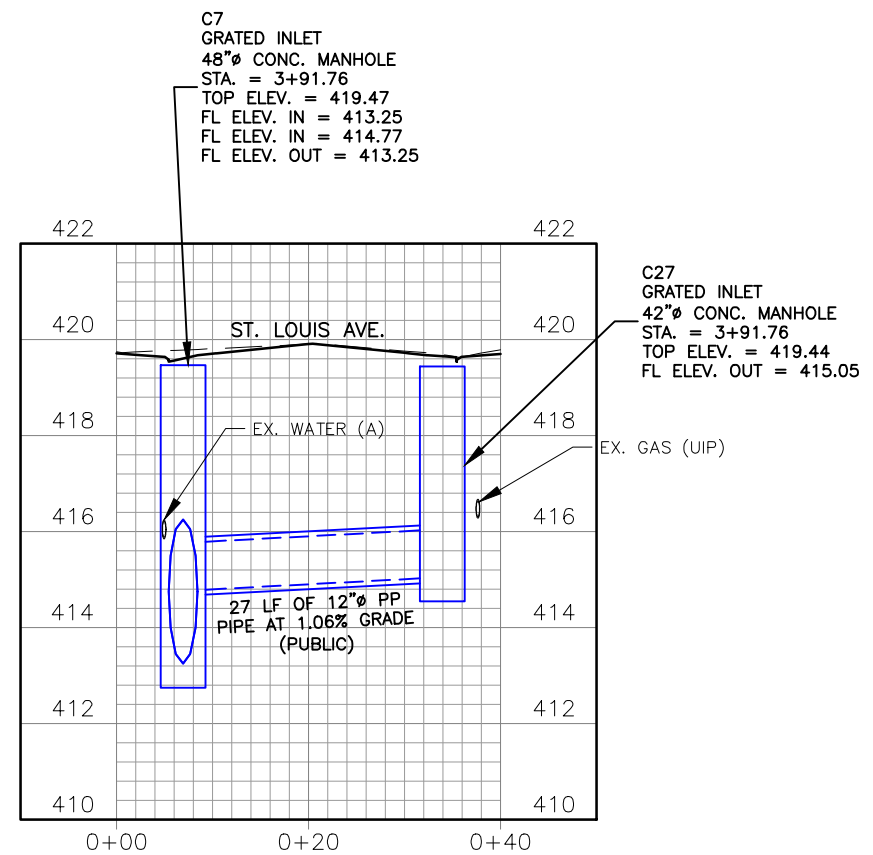
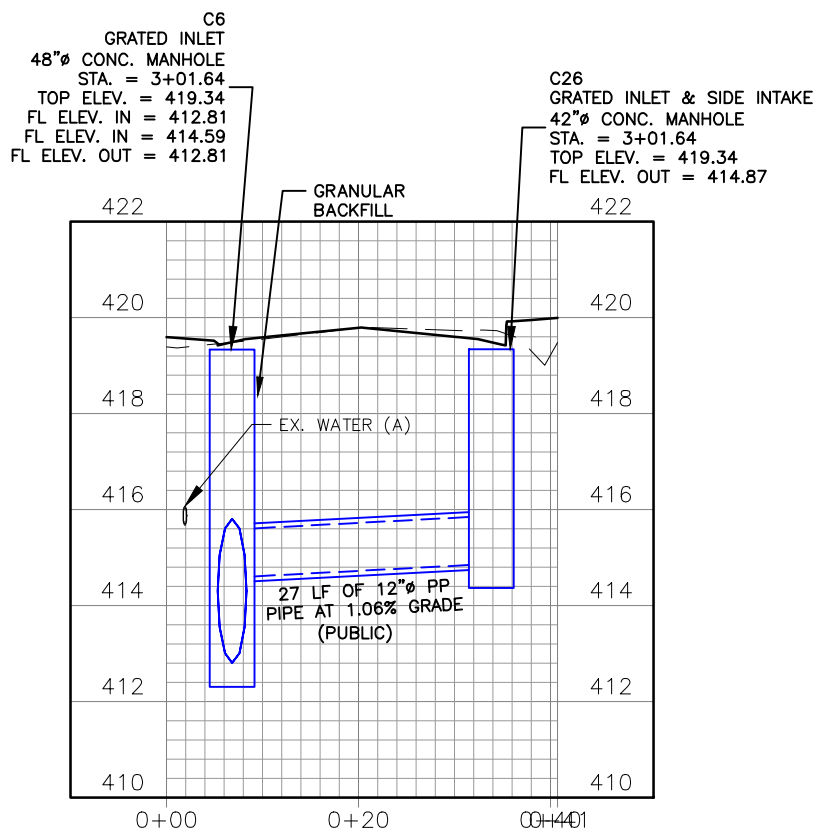
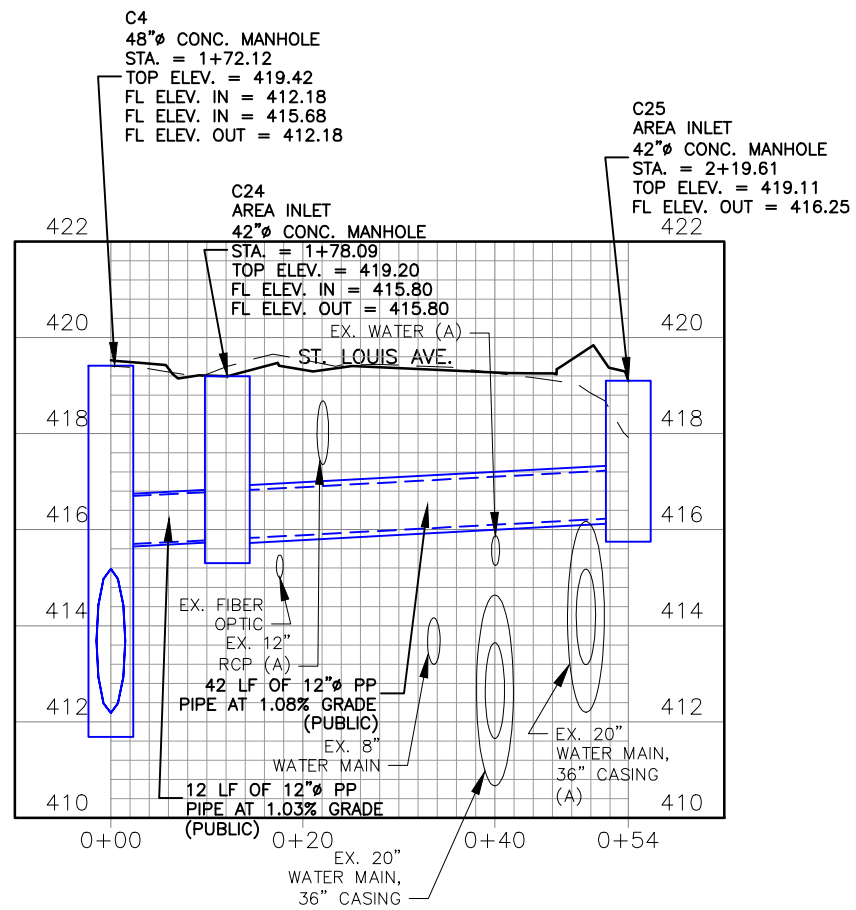
THE PROFESSIONAL'S SEAL AFFIXED TO
THIS SHEET APPLIES ONLY TO ITEMS
ON THIS SHEET. ALL DRAWINGS OR
OTHER DOCUMENTS NOT EXHIBITING
THIS SEAL SHALL NOT BE CONSIDERED
PREPARED BY THIS PROFESSIONAL.

ST. LOUIS AVE. PH. 1 IMPROVEMENTS
FEDERAL PROJECT NO. STP-9901(641)
CITY OF VALLEY PARK, MISSOURI

DATE	REVISION	BY	APPD. BY
07/22/20	ADD. 1 (FIXED STR. LABELS)	K.J.W.	M.D.S.

DATE: MAY 2020
SCALE: 1" = 20'
PROJ. NO.: SC18-809
DWG. NO.: PR-7

SEWER PROFILES



Drawing name: I:\SC18-809 St. Louis Ave. Ph. 1 (7th St. to Levee Closure) Valley Park, MO\AUTOCAD DRAWINGS\STORM PLAN AND PROFILE.dwg Tab: PR-8 Plotted on: Sep 21, 2020 - 1:57pm Plotted by: kwcliff

314-842-4033 (tel.)
314-842-5957 (fax)
www.cochraneng.com

COCHRAN
Civil Engineering
Land Surveying
Architecture
Site Development
Master Planning
General Consulting
ENGINEERING CERTIFICATE OF AUTHORITY NUMBER - 2007006937
LAND SURVEYING CERTIFICATE OF AUTHORITY NUMBER - 2007004529

737 RUDDER ROAD
FENTON, MISSOURI 65026

STATE OF MISSOURI
KEVIN J. WOLFF P.E.
NO. PE-200400889
STATE OF MISSOURI
REGISTERED PROFESSIONAL ENGINEER
FOR SC ENGINEERING LLC
DBA COCHRAN

5/1/20
THIS SHEET HAS BEEN SIGNED,
SEALED AND DATED ELECTRONICALLY

THE PROFESSIONAL'S SEAL AFFIXED TO
THIS SHEET APPLIES ONLY TO ITEMS
ON THIS SHEET. ALL DRAWINGS OR
OTHER DOCUMENTS NOT EXHIBITING
THIS SEAL SHALL NOT BE CONSIDERED
PREPARED BY THIS PROFESSIONAL.

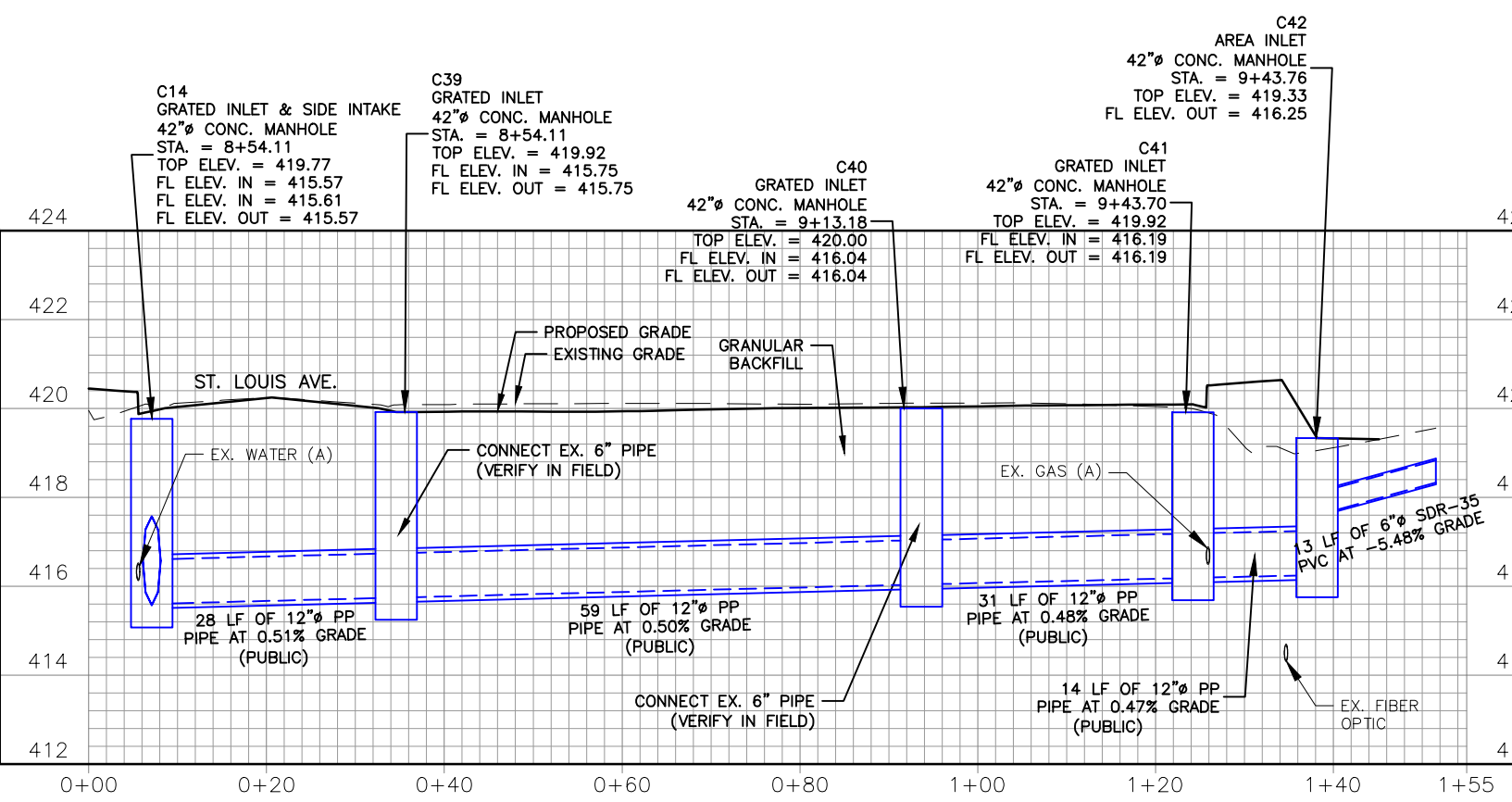
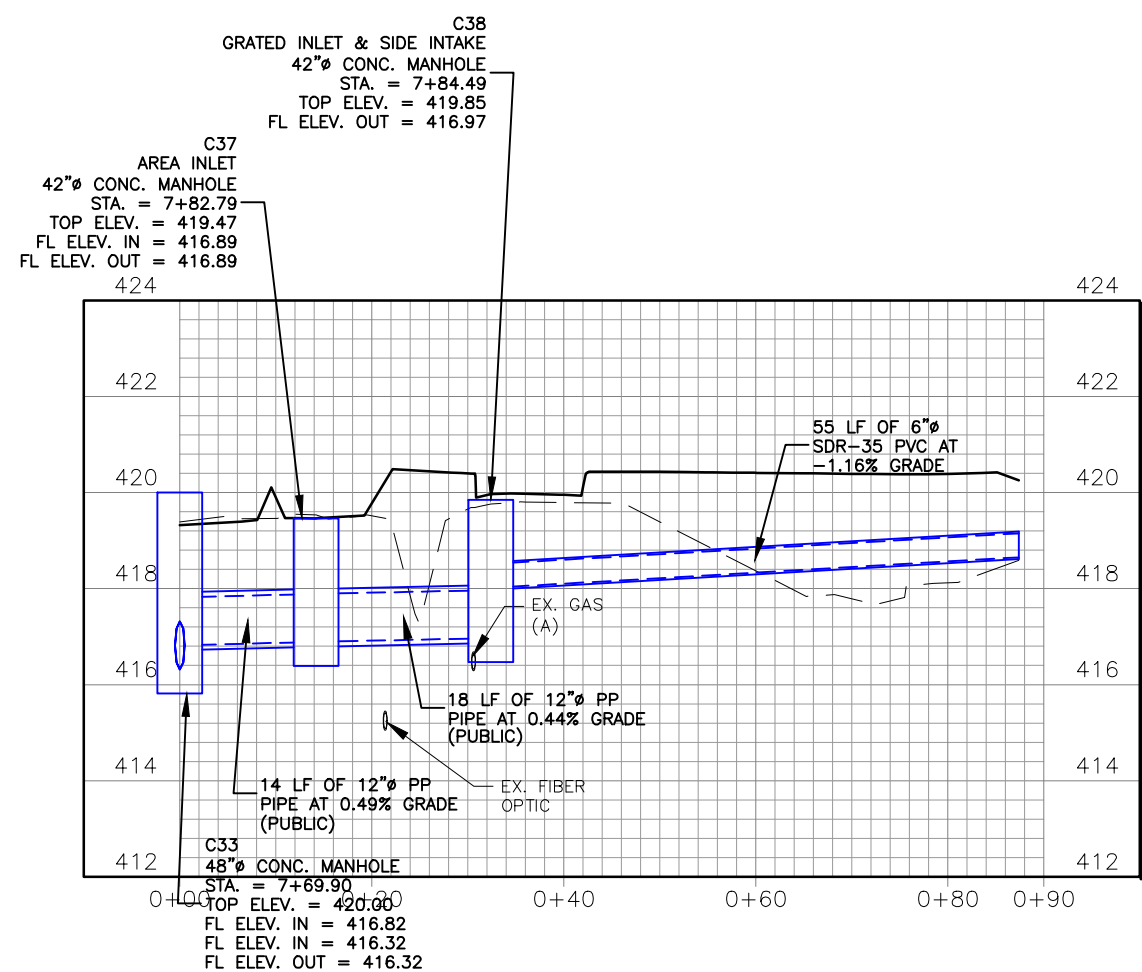
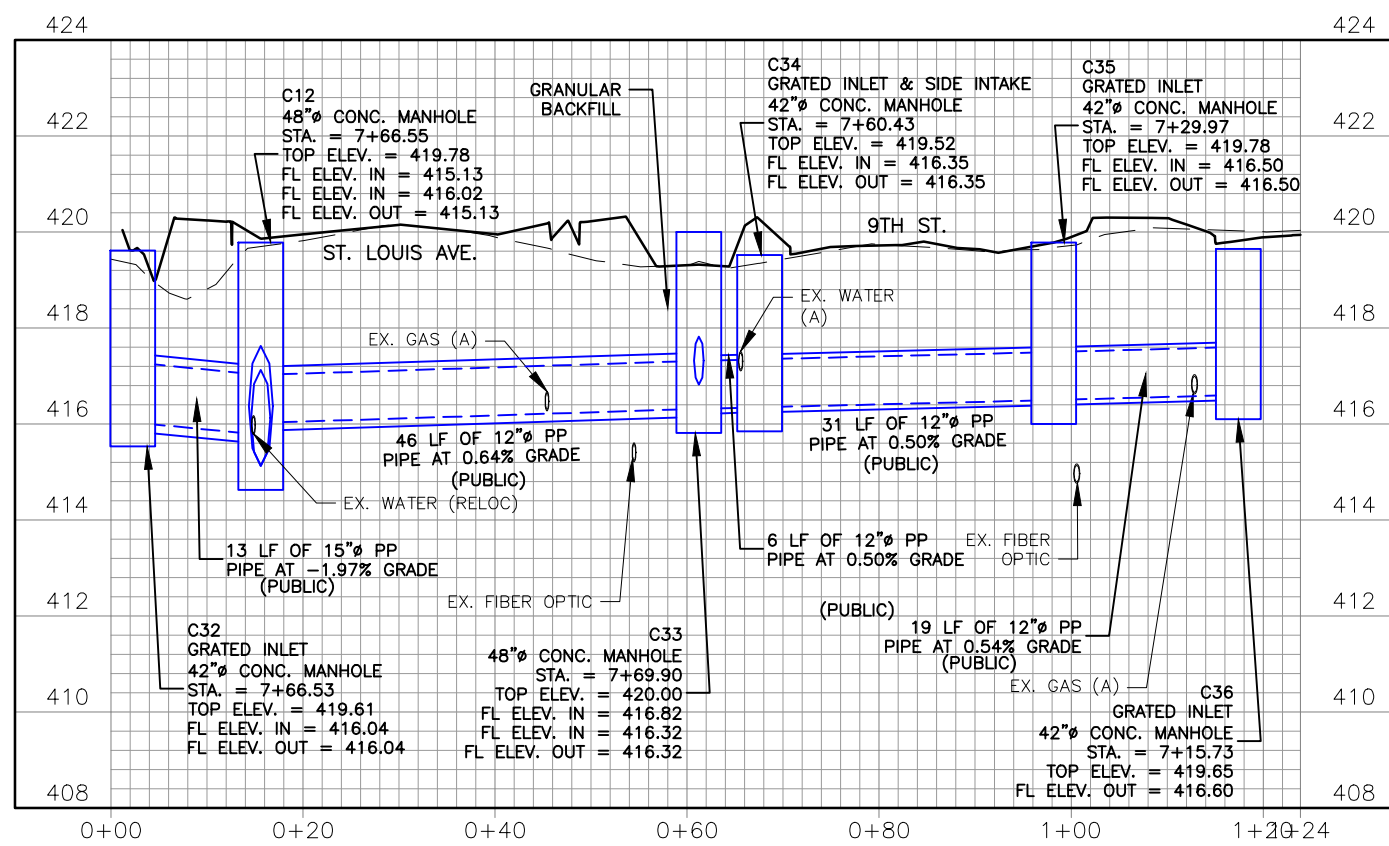
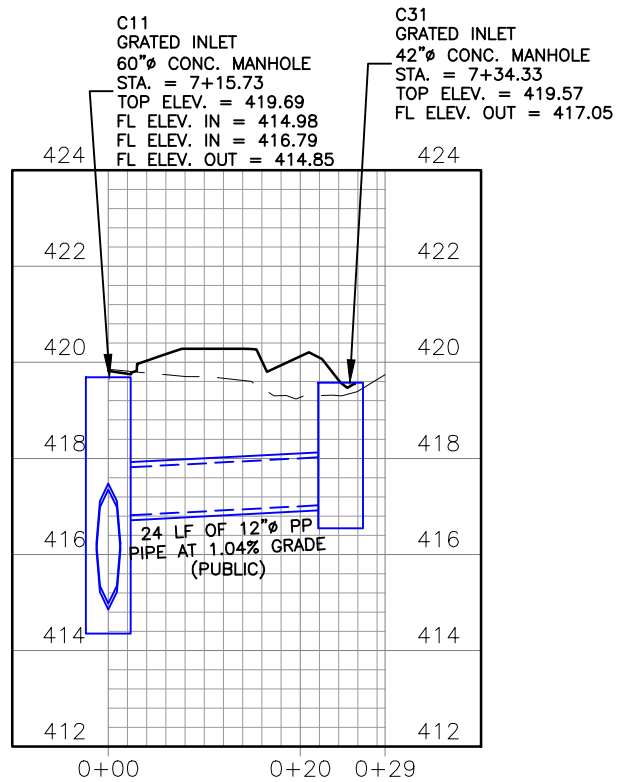
ST. LOUIS AVE. PH. 1 IMPROVEMENTS
FEDERAL PROJECT NO. STP-9901(641)
CITY OF VALLEY PARK, MISSOURI

STORM PLAN AND PROFILE

DATE:	9/22/20
REVISION:	ADD. 1 (FIXED STR. LABELS)

DWN. BY: K.J.W. APPD. BY: M.D.S.
DATE: MAY 2020
SCALE: 1" = 20'
PROJ. NO.: SC18-809
DWG. NO.: PR-8

SEWER PROFILES



Drawing name: I:\SC18-809 St. Louis Ave. Ph. 1 (7th St. to Levee Closure) Valley Park, MO\AUTOCAD DRAWINGS\STORM PLAN AND PROFILE.dwg Tab: PR-9 Plotted on: Sep 21, 2020 - 1:57pm Plotted by: kwcliff

314-842-4033 (tel.)
314-842-5957 (fax)
www.cochraneng.com

COCHRAN
Civil Engineering
Land Surveying
Architecture
Site Development
Master Planning
General Consulting

737 RUDDER ROAD
FENTON, MISSOURI 65026

ENGINEERING CERTIFICATE OF AUTHORITY NUMBER - 2007006937
LAND SURVEYING CERTIFICATE OF AUTHORITY NUMBER - 2007004529

STATE OF MISSOURI
KEVIN J. WOLFF, P.E.
Professional Engineer
No. PE-200400889
STATE OF MISSOURI
REGISTERED PROFESSIONAL ENGINEER
FOR SC ENGINEERING LLC
DBA COCHRAN

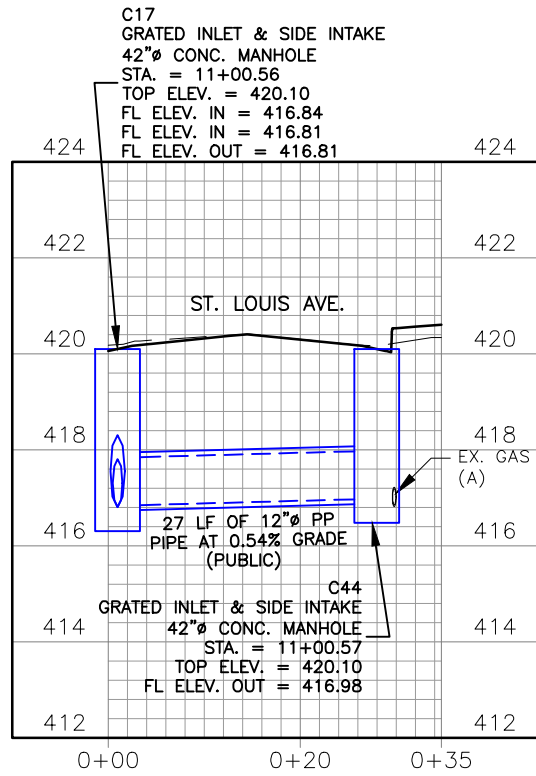
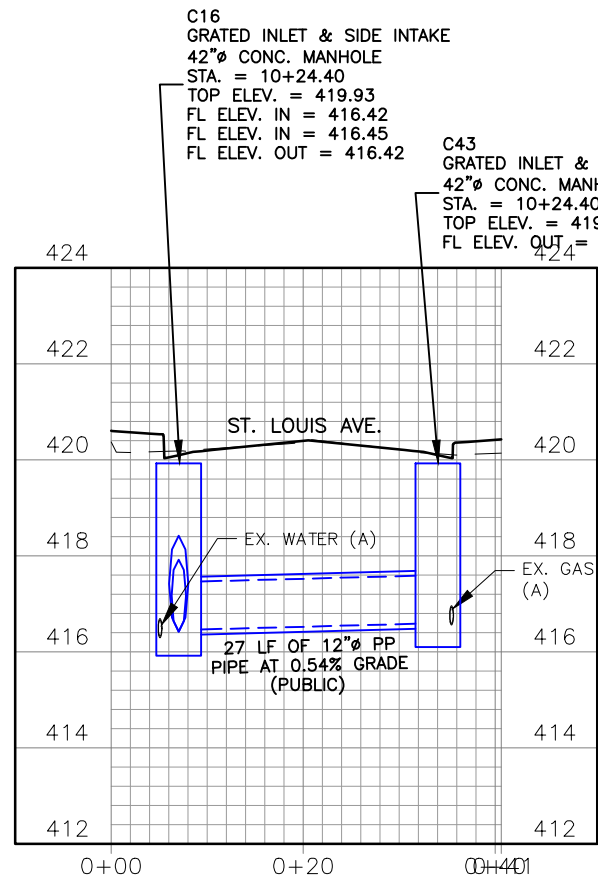
5/1/20
THIS SHEET HAS BEEN SIGNED,
SEALED AND DATED ELECTRONICALLY

ST. LOUIS AVE. PH. 1 IMPROVEMENTS
FEDERAL PROJECT NO. STP-9901(641)
CITY OF VALLEY PARK, MISSOURI

STORM PLAN AND PROFILE

DATE:	9/22/20	ADD. 1 (FIXED STR. LABELS)	
DWN. BY:	K.J.W.	APPD. BY:	M.D.S.
DATE:	MAY 2020		
SCALE:	1" = 20'		
PROJ. NO.:	SC18-809		
DWG. NO.:	PR-9		

SEWER PROFILES



Drawing name: I:\SC18-809 St. Louis Ave. Ph. 1 (7th St. to Levee Closure) Valley Park, MO\AUTOCAD DRAWINGS\STORM PLAN AND PROFILE.dwg Tab: PR-10 Plotted on: Sep 21, 2020 - 1:58pm Plotted by: knloff

314-842-4033 (tel.)
 314-842-5957 (fax)
 www.cochraneng.com

COCHRAN

737 RUDDER ROAD
 FENTON, MISSOURI 65026

Civil Engineering
 Land Surveying
 Architecture
 Site Development
 Master Planning
 General Consulting

ENGINEERING CERTIFICATE OF AUTHORITY NUMBER - 2007006937
 LAND SURVEYING CERTIFICATE OF AUTHORITY NUMBER - 2007004529

STATE OF MISSOURI

KEVIN J. WOLFF, P.E.

5/11/20

KEVIN J. WOLFF
 NO. PE-200400889
 STATE OF MISSOURI
 REGISTERED PROFESSIONAL ENGINEER
 FOR SC ENGINEERING LLC,
 DBA COCHRAN

THIS SHEET HAS BEEN SIGNED,
 SEALED AND DATED ELECTRONICALLY

THE PROFESSIONAL'S SEAL AFFIXED TO
 THIS SHEET APPLIES ONLY TO ITEMS
 ON THIS SHEET. ALL DRAWINGS OR
 OTHER DOCUMENTS NOT EXHIBITING
 THIS SEAL SHALL NOT BE CONSIDERED
 PREPARED BY THIS PROFESSIONAL.

ST. LOUIS AVE. PH. 1 IMPROVEMENTS
 FEDERAL PROJECT NO. STP-9901(641)
 CITY OF VALLEY PARK, MISSOURI

STORM PLAN AND PROFILE

DATE	REVISION	DATE	APPROVED BY
9/22/20	ADD. 1 (FIXED STR. LABELS)		

DWN BY: K.J.W. APPD BY: M.D.S.

DATE: MAY 2020

SCALE: 1" = 20'

PROJ. NO.: SC18-809

DWG. NO.: PR-10

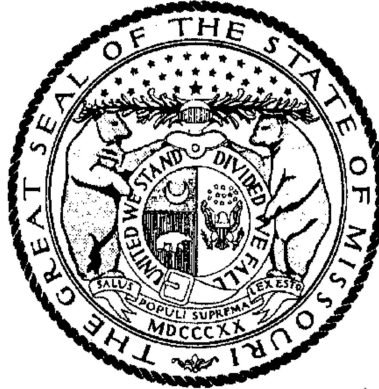
Updated State Prevailing Wage Section

Addendum 1

Missouri

Division of Labor Standards

WAGE AND HOUR SECTION



MICHAEL L. PARSON, Governor

Annual Wage Order No. 27

Section 100
ST. LOUIS COUNTY

In accordance with Section 290.262 RSMo 2000, within thirty (30) days after a certified copy of this Annual Wage Order has been filed with the Secretary of State as indicated below, any person who may be affected by this Annual Wage Order may object by filing an objection in triplicate with the Labor and Industrial Relations Commission, P.O. Box 599, Jefferson City, MO 65102-0599. Such objections must set forth in writing the specific grounds of objection. Each objection shall certify that a copy has been furnished to the Division of Labor Standards, P.O. Box 449, Jefferson City, MO 65102-0449 pursuant to 8 CSR 20-5.010(1). A certified copy of the Annual Wage Order has been filed with the Secretary of State of Missouri.

Original Signed by _____

Taylor Burks, Director
Division of Labor Standards

Filed With Secretary of State: _____ **March 10, 2020**

Last Date Objections May Be Filed: **April 9, 2020**

Prepared by Missouri Department of Labor and Industrial Relations

OCCUPATIONAL TITLE	**Prevailing Hourly Rate
Asbestos Worker	\$63.23
Boilermaker	*\$35.57
Bricklayer	\$56.99
Carpenter	\$54.75
Lather	
Linoleum Layer	
Millwright	
Pile Driver	
Cement Mason	\$52.84
Plasterer	
Communications Technician	\$56.92
Electrician (Inside Wireman)	\$64.79
Electrician Outside Lineman	\$67.10
Lineman Operator	
Lineman - Tree Trimmer	
Groundman	
Groundman - Tree Trimmer	
Elevator Constructor	*\$35.57
Glazier	\$62.07
Ironworker	\$61.90
Laborer	\$48.12
General Laborer	
First Semi-Skilled	
Second Semi-Skilled	
Mason	\$50.30
Marble Mason	
Marble Finisher	
Terrazzo Worker	
Terrazzo Finisher	
Tile Setter	
Tile Finisher	
Operating Engineer	\$61.75
Group I	
Group II	
Group III	
Group III-A	
Group IV	
Group V	
Painter	\$48.98
Plumber	\$70.02
Pipe Fitter	
Roofer	\$51.85
Sheet Metal Worker	\$67.09
Sprinkler Fitter	\$71.28
Truck Driver	\$48.77
Truck Control Service Driver	
Group I	
Group II	
Group III	
Group IV	

*The Division of Labor Standards received less than 1,000 reportable hours for this occupational title. Public works contracting minimum wage is established for this occupational title using data provided by Missouri Economic Research and Information Center.

**The Prevailing Hourly Rate includes any applicable fringe benefit amounts for each occupational title.

OCCUPATIONAL TITLE	**Prevailing Hourly Rate
Carpenter	\$56.93
Millwright	
Pile Driver	
Electrician (Outside Lineman)	\$67.10
Lineman Operator	
Lineman - Tree Trimmer	
Groundman	
Groundman - Tree Trimmer	
Laborer	\$49.33
General Laborer	
Skilled Laborer	
Operating Engineer	\$62.85
Group I	
Group II	
Group III	
Group IV	
Truck Driver	\$42.88
Truck Control Service Driver	
Group I	
Group II	
Group III	
Group IV	

Use Heavy Construction Rates on Highway and Heavy construction in accordance with the classifications of construction work established in 8 CSR 30-3.040(3).

Use Building Construction Rates on Building construction in accordance with the classifications of construction work established in 8 CSR 30-3.040(2).

If a worker is performing work on a heavy construction project within an occupational title that is not listed on the Heavy Construction Rate Sheet, use the rate for that occupational title as shown on the Building Construction Rate Sheet.

*The Division of Labor Standards received less than 1,000 reportable hours for this occupational title. Public works contracting minimum wage is established for this occupational title using data provided by Missouri Economic Research and Information Center.

**The Prevailing Hourly Rate includes any applicable fringe benefit amounts for each occupational title.

OVERTIME and HOLIDAYS

OVERTIME

For all work performed on a Sunday or a holiday, not less than twice (2x) the prevailing hourly rate of wages for work of a similar character in the locality in which the work is performed or the public works contracting minimum wage, whichever is applicable, shall be paid to all workers employed by or on behalf of any public body engaged in the construction of public works, exclusive of maintenance work.

For all overtime work performed, not less than one and one-half (1½) the prevailing hourly rate of wages for work of a similar character in the locality in which the work is performed or the public works contracting minimum wage, whichever is applicable, shall be paid to all workers employed by or on behalf of any public body engaged in the construction of public works, exclusive of maintenance work or contractual obligation. For purposes of this subdivision, "**overtime work**" shall include work that exceeds ten hours in one day and work in excess of forty hours in one calendar week; and

A thirty-minute lunch period on each calendar day shall be allowed for each worker on a public works project, provided that such time shall not be considered as time worked.

HOLIDAYS

January First;
The last Monday in May;
July Fourth;
The first Monday in September;
November Eleventh;
The fourth Thursday in November; and
December Twenty-Fifth;

If any holiday falls on a Sunday, the following Monday shall be considered a holiday.

Updated Federal Prevailing Wage Section

Addendum 1

"General Decision Number: MO20200001 09/11/2020

Superseded General Decision Number: MO20190001

State: Missouri

Construction Types: Heavy and Highway

Counties: Missouri Statewide.

HEAVY AND HIGHWAY CONSTRUCTION PROJECTS

Note: Under Executive Order (EO) 13658, an hourly minimum wage of \$10.80 for calendar year 2020 applies to all contracts subject to the Davis-Bacon Act for which the contract is awarded (and any solicitation was issued) on or after January 1, 2015. If this contract is covered by the EO, the contractor must pay all workers in any classification listed on this wage determination at least \$10.80 per hour (or the applicable wage rate listed on this wage determination, if it is higher) for all hours spent performing on the contract in calendar year 2020. If this contract is covered by the EO and a classification considered necessary for performance of work on the contract does not appear on this wage determination, the contractor must pay workers in that classification at least the wage rate determined through the conformance process set forth in 29 CFR 5.5(a)(1)(ii) (or the EO minimum wage rate, if it is higher than the conformed wage rate). The EO minimum wage rate will be adjusted annually. Please note that this EO applies to the above-mentioned types of contracts entered into by the federal government that are subject to the Davis-Bacon Act itself, but it does not apply to contracts subject only to the Davis-Bacon Related Acts, including those set forth at 29 CFR 5.1(a)(2)-(60). Additional information on contractor requirements and worker protections under the EO is available at www.dol.gov/whd/govcontracts.

Modification Number	Publication Date
0	01/03/2020
1	01/24/2020
2	02/07/2020
3	02/14/2020
4	03/13/2020
5	04/03/2020
6	04/24/2020
7	05/08/2020
8	05/15/2020
9	05/29/2020
10	06/05/2020
11	07/03/2020
12	07/24/2020
13	08/07/2020
14	08/14/2020
15	09/11/2020

CARP0002-002 05/01/2019

ST. LOUIS COUNTY AND CITY

	Rates	Fringes
Carpenters.....	\$ 38.02	17.77

CARP0005-006 05/03/2015

CASS (Richards-Gebauer AFB ONLY), CLAY, JACKSON, PLATTE AND RAY COUNTIES

	Rates	Fringes
Carpenters:		
CARPENTERS & LATHERS.....	\$ 36.34	15.55
MILLWRIGHTS & PILEDRIVERS...	\$ 36.34	15.55

 CARP0011-001 05/01/2019

	Rates	Fringes
Carpenter and Piledriver		
ADAIR, AUDRAIN (West of Hwy 19), BOONE, CALLAWAY, CHARITON, COLE, COOPER, HOWARD, KNOX, LINN, MACON, MILLER, MONITEAU, MONROE, OSAGE, PUTNAM, RANDOLPH, SCHUYLER, SHELBY AND SULLIVAN COUNTIES.....	\$ 32.28	17.77
ATCHISON, ANDREW, BATES, CALDWELL, CARROLL, DAVIESS, DEKALB, GENTRY, GRUNDY, HARRISON, HENRY, HOLT, LIVINGSTON, MERCER, NODAWAY, ST. CLAIR, SALINE AND WORTH COUNTIES.....	\$ 30.76	17.77
AUDRAIN (East of Hwy.19), RALLS, MARION, LEWIS, CLARK AND SCOTLAND COUNTIES.	\$ 32.29	17.77
BARRY, BARTON, CAMDEN, CEDAR, CHRISTIAN, DADE, DALLAS, DOUGLAS, GREENE, HICKORY, JASPER, LACLEDE, LAWRENCE, MCDONALD, NEWTON, OZARK, POLK, STONE, TANEY, VERNON, WEBSTER AND WRIGHT COUNTIES.	\$ 30.36	17.77
BENTON, MORGAN AND PETTIS...	\$ 30.81	17.77
BOLLINGER, BUTLER, CAPE GIRARDEAU, DUNKLIN, MISSISSIPPI, NEW MADRID, PEMISCOT, PERRY, STE. GENEVIEVE, SCOTT, STODDARD AND WAYNE COUNTIES.....	\$ 32.14	17.77
BUCHANAN, CLINTON, JOHNSON AND LAFAYETTE COUNTIES.....	\$ 31.49	17.77
CARTER, HOWELL, OREGON AND RIPLEY COUNTIES.....	\$ 31.09	17.77
CRAWFORD, DENT, GASCONADE, IRON, MADISON, MARIES, MONTGOMERY, PHELPS, PULASKI, REYNOLDS, SHANNON AND TEXAS COUNTIES.....	\$ 32.13	17.77
FRANKLIN COUNTY.....	\$ 35.56	17.77
JEFFERSON AND ST. CHARLES COUNTIES.....	\$ 38.02	17.77
LINCOLN COUNTY.....	\$ 34.00	17.77
PIKE, ST. FRANCOIS AND WASHINGTON COUNTIES.....	\$ 32.92	17.77

WARREN COUNTY.....\$ 34.44 17.77

ELEC0001-002 05/31/2020

BOLLINGER, BUTLER, CAPE GIRARDEAU, CARTER, DUNKLIN, FRANKLIN, IRON, JEFFERSON, LINCOLN, MADISON, MISSISSIPPI, NEW MADRID, PEMISCOT, PERRY, REYNOLDS, RIPLEY, ST. CHARLES, ST. FRANCOIS, ST. LOUIS (City and County), STE. GENEVIEVE, SCOTT, STODDARD, WARREN, WASHINGTON AND WAYNE COUNTIES

	Rates	Fringes
Electricians.....	\$ 40.61	27.06

ELEC0002-001 09/01/2018

ADAIR, AUDRAIN, BOONE, CALLAWAY, CAMDEN, CARTER, CHARITON, CLARK, COLE, COOPER, CRAWFORD, DENT, FRANKLIN, GASCONADE, HOWARD, HOWELL, IRON, JEFFERSON, KNOX, LEWIS, LINCON, LINN, MACON, MARIES, MARION, MILLER, MONITEAU, MONROE, MONTGOMERY, MORGAN, OREGON, OSAGE, PERRY, PHELPS, PIKE, PULASKI, PUTNAM, RALLS, RANDOLPH, REYNOLDS, RIPLEY, ST. CHARLES, ST. FRANCOIS, ST. LOUIS (City and County), STE. GENEVIEVE, SCHUYLER, SCOTLAND, SHANNON, SHELBY, SULLIVAN, TEXAS, WARREN AND WASHINGTON COUNTIES

	Rates	Fringes
Line Construction:		
Equipment Operator.....	\$ 39.50	19.96
Groundman & Truck Driver....	\$ 30.36	16.67
Lineman & Cable Splicer.....	\$ 45.90	22.27

ELEC0053-004 01/01/2020

	Rates	Fringes
Line Construction: (ANDREW, ATCHINSON, BARRY, BARTON, BUCHANAN, CALDWELL, CEDAR, CHRISTIAN, CLINTON, DADE, DALLAS, DAVIES,, DEKALB, DOUGLAS, GENTRY, GREENE, GRUNDY, HARRISON, HICKORY, HOLT, JASPER, LACLEDE, LAWRENCE, LIVINGSTON, MCDONALD, MERCER, NEWTON, NODAWAY, OZARK, POLK, ST. CLAIR, STONE, TANEY, VERNON, WEBSTER, WORTH AND WRIGHT COUNTIES)		
Groundman Powderman.....	\$ 32.27	16.09
Groundman.....	\$ 30.12	15.38
Lineman Operator.....	\$ 43.40	19.30
Lineman.....	\$ 47.30	20.45

Line Construction; (BATES, BENTON, CARROLL, CASS, CLAY, HENRY, JACKSON, JOHNSON, LAFAYETTE, PETTIS, PLATTE, RAY AND SALINE COUNTIES)		
Groundman Powderman.....	\$ 32.27	15.52
Groundman.....	\$ 30.12	14.88
Lineman Operator.....	\$ 43.40	18.80

Lineman.....\$ 47.30 19.95

ELEC0095-001 06/01/2019

BARRY, BARTON, CEDAR, DADE, JASPER, LAWRENCE, MCDONALD, NEWTON,
ST CLAIR, AND VERNON COUNTIES

Rates Fringes

Electricians:

Cable Splicers.....\$ 25.40 12.19
Electricians.....\$ 27.43 14.97

ELEC0124-007 08/26/2019

BATES, BENTON, CARROLL, CASS, CLAY, COOPER, HENRY, JACKSON,
JOHNSON, LAFAYETTE, MORGAN, PETTIS, PLATTE, RAY AND SALINE
COUNTIES:

Rates Fringes

Electricians.....\$ 40.79 22.92

ELEC0257-003 03/01/2020

AUDRAIN (Except Cuivre Township), BOONE, CALLAWAY, CAMDEN,
CHARITON, COLE, CRAWFORD, DENT, GASCONADE, HOWARD, MARIES,
MILLER, MONITEAU, OSAGE, PHELPS AND RANDOLPH COUNTIES

Rates Fringes

Electricians:

Cable Splicers.....\$ 30.42 16.085
Electricians.....\$ 34.00 18.68

ELEC0350-002 12/01/2019

ADAIR, AUDRAIN (East of Highway 19), CLARK, KNOX, LEWIS, LINN,
MACON, MARION, MONROE, MONTGOMERY, PIKE, PUTNAM, RALLS,
SCHUYLER, SCOTLAND, SHELBY AND SULLIVAN COUNTIES

Rates Fringes

Electricians.....\$ 32.50 17.65

ELEC0453-001 09/01/2019

Rates Fringes

Electricians:

CHRISITAN, DALLAS,
DOUGLAS, GREENE, HICKORY,
HOWELL, LACLEDE, OREGON,
OZARK, POLK, SHANNON,
WEBSTER and WRIGHT COUNTIES.\$ 27.88 14.99
PULASKI and TEXAS COUNTIES..\$ 32.53 15.46
STONE and TANEY COUNTIES....\$ 23.67 14.17

ELEC0545-003 06/01/2020

ANDREW, BUCHANAN, CLINTON, DEKALB, ATCHISON, HOLT, MERCER,

GENTRY, HARRISON, DAVIESS, GRUNDY, WORTH, LIVINGSTON, NODAWAY,
AND CALDWELL COUNTIES

	Rates	Fringes
Electricians:.....	\$ 33.00	18.10

ELEC0702-004 12/30/2019		

BOLLINGER, BUTLER, CAPE GIRARDEAU, DUNKLIN, MADISON,
MISSISSIPPI, NEW MADRID, PEMISCOT, SCOTT, STODDARD AND WAYNE
COUNTIES

	Rates	Fringes
Line Construction:		
Groundman - Class A.....	\$ 30.31	29% + 7.75
Groundman-Equipment Operator Class II (all other equipment).....	\$ 38.46	29% + 7.75
Heavy-Equipment Operator Class I (all crawler type equipment D-4 and larger)...	\$ 43.88	29% + 7.75
Lineman.....	\$ 53.51	29% + 7.75

ENGI0101-001 05/01/2020		

ANDREW, ATCHISON, BATES, BENTON, BUCHANAN, CALDWELL, CARROLL,
CHARITON, CLINTON, COOPER, DAVIESS, DEKALB, GENTRY, GRUNDY,
HARRISON, HENRY, HOLT, HOWARD, JOHNSON, LAFAYETTE, LINN,
LIVINGSTON, MERCER, NODAWAY, PETTIS, SALINE, SULLIVAN AND WORTH
COUNTIES

	Rates	Fringes
Power equipment operators:		
GROUP 1.....	\$ 34.73	18.20
GROUP 2.....	\$ 34.33	18.20
GROUP 3.....	\$ 32.33	18.20

POWER EQUIPMENT OPERATORS CLASSIFICATIONS

GROUP 1: Asphalt roller operator, finish; asphalt paver and spreader; asphalt plant operator; auto grader or trimmer or sub-grader; backhoe; blade operator (all types); boilers - 2; booster pump on dredge; bulldozer operator; boring machine (truck or crane mounted); clamshell operator; concrete mixer paver; concrete plant operator; concrete pump operator; crane operator; derrick or derrick trucks; ditching machine; dragline operator; dredge engineman; dredge operator; drill cat with compressor mounted (self-contained) or similar type self-propelled rotary drill (not air tract); drilling or boring machine (rotary-self-propelled); finishing machine operator; greaser; high loader-fork lift-skid loader (all types); hoisting engineer (2 active drums); locomotive operator (standard gauge); mechanics and welders (field and plants); mucking machine operator; pile drive operator; pitman crane or boom truck (all types); push cat; quad track; scraper operators (all types); shovel operator; sideboom cats; side discharge spreader; skimmer scoop operators; slip form paver operator (CMI, Rex, Gomeco or equal); la tourneau

roter (all tiller types); tow boat operator; truck crane; wood and log chippers (all types).

GROUP 2: A-frame truck operator; articulated dump truck; back filler operator; boilers (1); chip spreader; churn drill operator; compressor; concrete mixer operator, skip loader; concrete saws (self-propelled); conveyor operator; crusher operator; distributor operator; elevating grader operator; farm tractor (all attachments); fireman rig; float operator; form grade operator; hoisting engine (one drum); maintenance operator; multiple compactor; pavement breaker, self-propelled hydra-hammer (or similar type); paymill operator; power shield; pumps; roller operator (with or without blades); screening and washing plant; self-propelled street broom or sweeper; siphons and jets; straw blower; stump cutting machine; siphons and jets; tank car heater operator (combination boiler and booster); welding machine; vibrating machine operator (not hand held); welding machine.

GROUP 3: (a) Oiler; (b) Oiler driver (c) Mechanic.

HOURLY PREMIUMS:

THE FOLLOWING CLASSIFICATIONS SHALL RECEIVE (\$.25) ABOVE GROUP 1 RATE: Dragline operator - 3 yds. & over; shovel 3 yds. & over; clamshell 3 yds. & over; Crane, rigs or piledrivers, 100' of boom or over (incl. jib.), hoist - each additional active drum over 2 drums

THE FOLLOWING CLASSIFICATIONS SHALL RECEIVE (\$.50) ABOVE GROUP 1 RATE: Tandem scoop operator; crane, rigs or piledrivers 150' to 200' of boom (incl. jib.)

THE FOLLOWING CLASSIFICATIONS SHALL RECEIVE (\$.75) ABOVE GROUP 1 RATE: Crane rigs, or piledrivers 200 ft. of boom or over (including jib.)

ENGI0101-005 04/01/2020

CASS, CLAY, JACKSON, PLATTE AND RAY COUNTIES

	Rates	Fringes
Power equipment operators:		
GROUP 1.....	\$ 37.02	19.89
GROUP 2.....	\$ 35.98	19.89
GROUP 3.....	\$ 31.51	19.89
GROUP 4.....	\$ 34.86	19.89

POWER EQUIPMENT OPERATORS CLASSIFICATIONS

GROUP 1: Asphalt roller operator, finish; asphalt paver and spreader; asphalt plant operator; auto grader or trimmer or sub-grader; backhoe; blade operator (all types); boilers-2; booster pump on dredge; boring machine (truck or crane mounted); bulldozer operator; clamshell operator; concrete cleaning decontamination machine operator; concrete mixer paver; concrete plant operator; concrete pump operator; crane operator; derrick or derrick trucks; ditching machine; dragline operator; dredge engineman; dredge operator; drillcat with compressor mounted (self-contained) or similar type self propelled rotary drill (not air

tract); drilling or boring machine (rotary - self-propelled); finishing machine operator; greaser; heavy equipment robotics operator/mechanic; horizontal directional drill operator; horizontal directional drill locator; loader-forklift - skid loader (all types); hoisting engineer (2 active drums); locomotive operator (standard guage); master environmental maintenance mechanic; mechanics and welders (field and plants); mucking machine operator; piledrive operator; pitman crane or boom truck (all types); push cat; quad-track; scraper operators (all types); shovel operator; side discharge spreader; sideboom cats; skimmer scoop operator; slip-form paver (CMI, REX, Gomaco or equal); la tourneau rooter (all tiller types); tow boat operator; truck crane; ultra high perssure waterjet cutting tool system operator/mechanic; vacuum blasting machine operator/mechanic; wood and log chippers (all types)

GROUP 2: "A" Frame truck operator; back filler operator; boilers (1); chip spreader; churn drill operator; concrete mixer operator, skip loader; concrete saws (self-propelled); conveyor operator; crusher operator; distributor operator; elevating grader operator; farm tractor (all attachments); fireman rig; float operator; form grader operator; hoisting engine (1 drum); maintenance operator; multiple compactor; pavement breaker, self-propelled hydra- hammer (or similar type); power shield; paymill operator; pumps; siphons and jets; stump cutting machine; tank car heater operator (combination boiler and booster); compressor; roller operator (with or without blades); screening and washing plant; self-propelled street broom or sweeper; straw blower; tank car heater operator (combination boiler and booster); vibrating machine operator (not hand held)

GROUP 3: Oilers

GROUP 4: Oiler Driver (All Types)

FOOTNOTE:

HOURLY PREMIUMS FOLLOWING CLASSIFICATIONS SHALL RECEIVE (\$1.00) ABOVE GROUP 1 RATE:

Clamshells - 3 yd. capacity or over; Cranes or rigs, 80 ft. of boom or over (including jib); Draglines, 3 yd. capacity or over;

Piledrivers 80 ft. of boom or over (including jib);

Shovels & backhoes, 3 yd. capacity or over.

 ENGI0101-022 05/01/2019

BARRY, BARTON, CAMDEN, CEDAR, CHRISTIAN, DADE, DALLAS, DOUGLAS, GREENE, HICKORY, JASPER, LACLEDE, LAWRENCE, MCDONALD, NEWTON, OZARK, POLK, ST. CLAIR, STONE, TANEY, VERNON, WEBSTER AND WRIGHT COUNTIES and CITY OF SPRINGFIELD

	Rates	Fringes
--	-------	---------

Power equipment operators:

GROUP 1.....	\$ 31.72	14.88
GROUP 2.....	\$ 31.37	14.88
GROUP 3.....	\$ 31.17	14.88
GROUP 4.....	\$ 29.12	14.88

POWER EQUIPMENT OPERATORS CLASSIFICATIONS

GROUP 1: Asphalt finishing machine & trench widening spreader; asphalt plant console operator; autograder; automatic slipform paver; backhoe; blade operator - all types; boat operator - tow; boilers-2; central mix concrete plant operator; clamshell operator; concrete mixer paver; crane operator; derrick or derrick trucks; ditching machine; dozer operator; dragline operator; dredge booster pump; dredge engineman; dredge operator; drill cat with compressor mounted on cat; drilling or boring machine rotary self-propelled; highloader; hoisting engine - 2 active drums; launch hammer wheel; locomotive operator; - standard guage; mechanic and welders; mucking machine; off-road trucks; piledriver operator; pitman crane operator; push cat operator; quad trac; scoop operator - all types; shovel operator; sideboom cats; skimmer scoop operators; trenching machine operator; truck crane.

GROUP 2: A-frame; asphalt hot-mix silo; asphalt plant fireman (drum or boiler); asphalt plant man; asphalt plant man; asphalt plant mixer operator; asphalt roller operator; backfiller operator; barber-greene loader; boat operator (bridges and dams); chip spreader; concrete mixer operator - skip loader; concrete plant operator; concrete pump operator; crusher operator; dredge oiler; elevating grader operator; fork lift; greaser-fleet; hoisting engine - 1; locomotive operator - narrow gauge; multiple compactor; pavement breaker; powerbroom - self-propelled; power shield; rooter; side discharge concrete spreader; slip form finishing machine; stumpcutter machine; throttle man; tractor operator (over 50 h.p.); winch truck.

GROUP 3: Boilers - 1; chip spreader (front man); churn drill operator; clef plane operator; concrete saw operator (self-propelled); curb finishing machine; distributor operator; finishing machine operator; flex plane operator; float operator; form grader operator; pugmill operator; roller operator, other than high type asphalt; screening & washing plant operator; siphons & jets; sub-grading machine operator; spreader box operator, self-propelled (not asphalt); tank car heater operator (combination boiler & booster); tractor operator (50 h.p. or less); Ulmac, Ulric or similar spreader; vibrating machine operator, not hand;

GROUP 4: Grade checker; Oiler; Oiler-Driver

HOURLY PREMIUMS:

The following classifications shall receive \$.25 above GROUP 1 rate:

Clamshells - 3 yds. or over; Cranes - Rigs or Piledrivers, 100 ft. of boom or over (including jib);
Draglines - 3 yds. or over; Hoists - each additional active drum over 2 drums; Shovels - 3 yds. or over;

The following classifications shall receive \$.50 above GROUP 1 rate:

Tandem scoop operator; Cranes - Rigs or Piledrivers, 150 ft. to 200 ft. of boom (including jib); Tandem scoop.

The following classifications shall receive \$.75 above GROUP 1 rate:

Cranes - Rigs or Piledrivers, 200 ft. of boom or over (including jib.).

 ENGI0513-004 05/06/2019

FRANKLIN, JEFFERSON, LINCOLN, ST CHARLES, AND WARREN COUNTIES

	Rates	Fringes
Power equipment operators:		
GROUP 1.....	\$ 34.36	27.36
GROUP 2.....	\$ 34.36	27.36
GROUP 3.....	\$ 33.06	27.36
GROUP 4.....	\$ 32.61	27.36

POWER EQUIPMENT OPERATORS CLASSIFICATIONS

GROUP 1: Backhoe, Cable; Backhoe, Hydraulic (2 cu yds bucket and under regardless of attachment, one oiler for 2 or 3, two oilers for 4 through 6); Backhoe, Hydraulic over 2 cu yds; Cableway; Crane, Crawler or Truck; Crane, Hydraulic - Truck or Cruiser mounted, 16 tons and over; Crane, Locomotive; crane with boom including jib over 100 ft from pin to pin; Crane using rock socket tool; Derrick, Steam; Derrick Car and Derrick Boat; Dragline, 7 cu yds and over; Dredge; Gradall, Crawler or tire mounted; Locomotive, Gas, Steam & other powers; Pile Driver, Land or Floating; Scoop, Skimmer; Shovel, Power (Electric, Gas, Steam or other powers); Shovel, Power (7 cu yds and over); Switch Boat; Whirley; Air Tugger with air compressor; Anchor Placing Barge; Asphalt Spreader; Athey Force Feeder Loader, self-propelled; Backfilling Machine; Boat Operator - Push Boat or Tow Boat (job site); Boiler, High Pressure Breaking in Period; Boom Truck, Placing or Erecting; Boring Machine, Footing Foundation; Bullfloat; Cherry Picker; Combination Concrete Hoist and Mixer (such as Mixermobile); Compressor, Two 125 CFM and under; Compressor, Two through Four over 125 CFM; Compressor when operator runs throttle; Concrete Breaker (Truck or Tractor mounted); Concrete Pump (such as Pumpcrete machine); Concrete Saw (self-propelled); Concrete Spreader; Conveyor, Large (not selfpropelled) hoisting or moving brick and concrete into, or into and on floor level, one or both; Crane, Cimbing (such as Linden); Crane, Hydraulic - Rough Terrain, self-propelled; Crane, Hydraulic - Truck or Cruiser mounted - under 16 tons; Drilling machine - Self-powered, used for earth or rock drilling or boring (wagon drills and any hand drills obtaining power from other souces including concrete breakers, jackhammers and Barco equipmnet no engineer required); Elevating Grader; Engine Man, Dredge; Excavator or Powerbelt Machine; Finishing Machine, self- propelled oscillating screed; Forklift; Generators, Two through Six 30 KW or over; Grader, Road with power blade; Greaser; Highlift; Hoist, Concrete and Brick (Brick cages or concrete skips operating or on tower, Towermobile, or similar equipment); Hoist, Three or more drums in use; Hoist, Stack; Hydro-Hammer; Lad-A-Vator, hoisting brick or concrete; Loading Machine such as Barber-Greene; Mechanic on job site

GROUP 2: Air Tugger with plant air; Boiler (for power or heating shell of building or temporary enclosures in connection with construction work); Boiler, Temporary; Compressor, One over 125 CFM; Compressor, truck mounted; Conveyor, Large (not self- propelled); Conveyor, Large (not self- propelled) moving brick and concrete (distributing) on floor level; Curb Finishing Machine; Ditch Paving

Machine; Elevator (outside); Endless Chain Hoist; Fireman (as required); Form Grader; Hoist, One Drum regardless of size (except brick or concrete); Lad-A-Vator, other hoisting; Manlift; Mixer, Asphalt, over 8 cu ft capacity; Mixer, one bag capacity or less; Mixer, without side loader, two bag capacity or more; Mixer, with side loader, regardless of size, not Paver; Mud Jack (where mud jack is used in conjunction with an air compressor, operator shall be paid \$.55 per hour in addition to his basic hourly rate for covering both operations); Pug Mill operator; Pump, Sump - self powered, automatic controlled over 2"; Scissor Lift (used for hoisting); Skid Steer Loader; Sweeper, Street; Tractor, small wheel type 50 HP and under with grader blade and similar equipment; Welding Machine, One over 400 amp; Winch, operating from truck

GROUP 3: Boat operator - outboard motor, job site; Conveyors (such as Con-Vay-It) regardless of how used; Elevator (inside); Heater operator, 2 through 6; Sweeper, Floor

GROUP 4: Crane type

HOURLY PREMIUMS:

Backhoe, Hydraulic 2 cu yds or less without oiler - \$2.00;
 Crane, climbing (such as Linden) - \$.50;
 Crane, Pile Driving and Extracting - \$.50
 Crane with boom (including job) over 100 ft from pin to pin - add \$.01 per foot to maximum of \$4.00);
 Crane, using rock socket tool - \$.50;
 Derrick, diesel, gas or electric hoisting material and erecting steel (150 ft or more above ground) - \$.50;
 Dragline, 7 cu yds and over - \$.50;
 Hoist, Three or more drums in use - \$.50;
 Scoop, Tandem - \$.50;
 Shovel, Power - 7 cu yds and over - \$.50;
 Tractor, Tandem Crawler - \$.50;
 Tunnel, man assigned to work in tunnel or tunnel shaft - \$.50;
 Wrecking, when machines are working on second floor or higher - \$.50

 ENGI0513-006 05/01/2019

ADAIR, AUDRAIN, BOLLINGER, BOONE, BUTLER, CALLAWAY, CAPE GIRARDEAU, CARTER, CLARK, COLE, CRAWFORD, DENT, DUNKLIN, GASCONADE, HOWELL, IRON, KNOX, LEWIS, MACON, MADISON, MARIES, MARION, MILLER, MISSISSIPPI, MONITEAU, MONROE, MONTGOMERY, MORGAN, NEW MADRID, OREGON, OSAGE, PEMISCOT, PERRY, PHELPS, PIKE, PULASKI, PUTNAM, RALLS, RANDOLPH, REYNOLDS, RIPLEY, ST. FRANCOIS, STE. GENEVIEVE, SCHUYLER, SCOTLAND, SCOTT, SHANNON, SHELBY, STODDARD, TEXAS, WASHINGTON, AND WAYNE COUNTIES

Rates Fringes

Power equipment operators:		
GROUP 1.....	\$ 29.69	27.16
GROUP 2.....	\$ 29.34	27.16
GROUP 3.....	\$ 29.14	27.16
GROUP 4.....	\$ 25.49	27.16

POWER EQUIPMENT OPERATORS CLASSIFICATIONS

GROUP 1: Asphalt finishing machine & trench widening spreader, asphalt plant console operator; autograder; automatic slipform paver; back hoe; blade operator - all types; boat operator tow; boiler two; central mix concrete plant operator; clam shell operator; concrete mixer paver; crane operator; derrick or derrick trucks; ditching machine; dozer operator; dragline operator; dredge booster pump; dredge engineman; dredge operator; drill cat with compressor mounted on cat; drilling or boring machine rotary self-propelled; highloader; hoisting engine 2 active drums; launchhammer wheel; locomotive operator standrad guage; mechanics and welders; mucking machine; piledriver operator; pitman crane operator; push cat operator; guad-trac; scoop operator; sideboom cats; skimmer scoop operator; trenching machine operator; truck crane, shovel operator.

GROUP 2: A-Frame; asphalt hot-mix silo; asphalt roller operator asphalt plant fireman (drum or boiler); asphalt plant man; asphalt plant mixer operator; backfiller operator; barber-greene loader; boat operator (bridge & dams); chip spreader; concrete mixer operator skip loader; concrete plant operator; concrete pump operator; dredge oiler; elevating graded operator; fork lift; grease fleet; hoisting engine one; locomotive operator narrow guage; multiple compactor; pavement breaker; powerbroom self-propelled; power shield; rooter; slip-form finishing machine; stumpcutter machine; side discharge concrete spreader; throttleman; tractor operator (over 50 hp); winch truck; asphalt roller operator; crusher operator.

GROUP 3: Spreader box operator, self-propelled not asphalt; tractor operator (50 h.p. or less); boilers one; chip spreader (front man); churn drill operator; compressor over 105 CFM 2-3 pumps 4" & over; 2-3 light plant 7.5 KWA or any combination thereof; clef plane operator; compressor maintenance operator 2 or 3; concrete saw operator (self-propelled); curb finishing mancine; distributor operator; finishing machine operator; flex plane operator; float operator; form grader operator; pugmill operator; riller operator other than high type asphalt; screening & washing plant operator; siphons & jets; subgrading machine operator; tank car heater (combination boiler & booster); ulmac, ulric or similar spreader; vibrating machine operator; hydrobroom.

GROUP 4: Oiler; grout machine; oiler driver; compressor over 105 CFM one; conveyor operator one; maintenance operator; pump 4" & over one.

FOOTNOTE: HOURLY PREMIUMS

Backhoe hydraulic, 2 cu. yds. or under Without oiler - \$2.00
 Certified Crane Operator - \$1.50;
 Certified Hazardous Material Operator \$1.50;
 Crane, climbing (such as Linden) - \$0.50;
 Crane, pile driving and extracting - \$0.50;
 Crane, with boom (including jib) over 100' from pin to pin
 add \$0.01 per foot to maximum of \$4.00;
 Crane, using rock socket tool - \$0.50;
 Derrick, diesel, gas or electric, hoisting material and
 erecting steel (150' or more above the ground) - \$0.50;
 Dragline, 7 cu. yds, and over - \$0.50;
 Hoist, three or more drums in use - \$0.50; Scoop, Tandem -

- \$0.50;
- Shovel, power - 7 cu. yds. or more - \$0.50;
- Tractor, tandem crawler - \$0.50;
- Tunnel, man assigned to work in tunnel or tunnel shaft - \$0.50;
- Wrecking, when machine is working on second floor or higher - \$0.50;

 ENGI0513-007 05/06/2019

ST. LOUIS CITY AND COUNTY

	Rates	Fringes
Power equipment operators:		
GROUP 1.....	\$ 34.36	27.36
GROUP 2.....	\$ 34.36	27.36
GROUP 3.....	\$ 33.06	27.36
GROUP 4.....	\$ 32.61	27.36

POWER EQUIPMENT OPERATORS CLASSIFICATIONS

GROUP 1: Backhoe, cable or hydraulic; cableway; crane crawler or truck; crane, hydraulic-truck or cruiser mounted 16 tons & over; crane locomotive; derrick, steam; derrick car & derrick boat; dragline; dredge; gradall, crawler or tire mounted; locomotive, gas, steam & other powers; pile driver, land or floating; scoop, skimmer; shovel, power (steam, gas, electric or other powers); switch boat; whirley.

GROUP 2: Air tugger w/air compressor; anchor-placing barge; asphalt spreader; athey force feeder loader (self-propelled); backfilling machine; backhoe-loader; boat operator-push boat or tow boat (job site); boiler, high pressure breaking in period; boom truck, placing or erecting; boring machine, footing foundation; bull- float; cherry picker; combination concrete hoist & mixer (such as mixer mobile); compressor (when operator runs throttle); concrete breaker (truck or tractor mounted); concrete pump, such as pump-crete machine; concrete saw (self-propelled), concrete spreader; conveyor, large (not self-propelled), hoisting or moving brick and concrete into, or into and on floor level, one or both; crane, hydraulic-rough terrain, self-propelled; crane hydraulic-truck or cruiser mounted-under 16 tons; drilling machines, self-powered use for earth or rock drilling or boring (wagon drills nd any hand drills obtaining power from other sources including concrete breakers, jackhammers and barco equipment-no engineer required); elevating grader; engineman, dredge; excavator or powerbelt machine; finishing machine, self-propelled oscillating screed; forklift; grader, road with power blade; highlift. greaser; hoist, stack, hydro-hammer; loading machine (such as barber-greene); machanic, on job site; mixer, pipe wrapping machines; plant asphalt; plant, concrete producing or ready-mix job site; plant heating-job site; plant mixing-job site; plant power, generating-job site; pumps, two through six self-powered over 2"; pumps, electric submersible, two through six, over 4"; quad-track; roller, asphalt, top or sub-grade; scoop, tractor drawn; spreader box; sub-grader; tie tamper; tractor-crawler, or wheel type with or without power unit, power take-offs and attachments regardless of size; trenching machine; tunnel boring machine; vibrating machine

automatic, automatic propelled; welding machines (gasoline or diesel) two through six; well drilling machine

GROUP 3: Conveyor, large (not self-propelled); conveyor, large (not self-propelled) moving brick and concrete distributing) on floor level; mixer two or more mixers of one bag capacity or less; air tugger w/plant air; boiler, for power or heating on construction projects; boiler, temporary; compressor (mounted on truck; curb finishing machine; ditch paving machine; elevator; endless chain hoist; form grader; hoist, one drum regardless of size; lad-a-vator; manlift; mixer, asphalt, over 8 cu. ft. capacity, without side loader, 2 bag capacity or more; mixer, with side loader, regardless of size; pug mill operator; pump, sump-self-powered, automatic controlled over 2" during use in connection with construction work; sweeper, street; welding machine, one over 400 amp.; winch operating from truck; scissor lift (used for hoisting); tractor, small wheel type 50 h.p. & under with grader blade & similar equipment; Oiler on dredge and on truck crane.

GROUP 4: Boat operator-outboard motor (job site); conveyor (such as con-vay-it) regardless of how used; sweeper, floor

HOURLY PREMIUMS:

Backhoe, hydraulic	
2 cu. yds. or under without oiler	\$2.00
Certified Crane Operator	1.50
Certified Hazardous Material Operator	1.50
Crane, climbing (such as Linden)	.50
Crane, pile driving and extracting	.50
Crane, with boom (including jib) over 100' (from pin to pin) add \$.01 per foot to maximum of	4.00
Crane, using rock socket tool	.50
Derrick, diesel, gas or electric, hoisting material and erecting steel (150' or more above ground)	.50
Dragline, 7 cu. yds. and over	.50
Hoist, three (3) or more drums in use	.50
Scoop, Tandem	.50
Shovel, power - 7 cu. yds. or more	.50
Tractor, tandem crawler	.50
Tunnel, man assigned to work in tunnel or tunnel shaft	.50
Wrecking, when machine is working on second floor or higher	.50

IRON0010-012 04/01/2020

Rates Fringes

Ironworkers:

ANDREW, BARTON, BENTON,
CAMDEN, CEDAR, CHARITON,
CHRISTIAN, COOPER, DADE,
DALLAS, DAVIESS, DE KALB,
GENTRY, GREENE, GRUNDY,
HARRISON, HICKORY, HOLT,
HOWARD, LACLEDE, LINN,
LIVINGSTON, MERCER,
MONITEAU, MORGAN, NODAWAY,
POLK, PUTNAM, RANDLOPH,
ST. CLAIR, SULLIVAN,

TANEY, VERNON, WEBSTER,
 WRIGHT and WORTH Counties
 and portions of ADAIR,
 BOONE, MACON, MILLER and
 RANDOLPH Counties.....\$ 31.00 31.24
 ANDREW, BARTON, BENTON,
 CAMDEN, CEDAR, CHARITON,
 CHRISTIAN, COOPER, DADE,
 DALLAS, DAVIESS, DE KALB,
 GENTRY, GREENE, GRUNDY,
 HARRISON, HICKORY, HOLT,
 HOWARD, LACLEDE, LINN,
 LIVINGSTON, MERCER,
 MONITEAU, MORGAN, NODAWAY,
 PETTIS, POLK, PUTNAM,
 RANDLOPH, ST. CLAIR,
 SULLIVAN, TANEY, VERNON,
 WEBSTER, WRIGHT and WORTH
 Counties and portions of
 ADAIR, BOONE, MACON,
 MILLER and RANDOLPH
 Counties.....\$ 30.55 30.44
 ATCHISON, BATES, BUCHANAN,
 CALDWELL, CARROLL, CASS,
 CLAY, CLINTON, HENRY,
 JACKSON, JOHNSON,
 LAFAYETTE, PETTIS, PLATTE,
 SALINE, AND RAY COUNTIES....\$ 34.00 31.24

 IRON0321-002 09/01/2019

DOUGLAS, HOWELL and OZARK COUNTIES

	Rates	Fringes
Ironworker.....	\$ 21.10	19.01

 IRON0396-004 08/07/2019

ST. LOUIS (City and County), ST. CHARLES, JEFFERSON, IRON,
 FRANKLIN, LINCOLN, WARREN, WASHINGTON, ST. FRANCOIS, STE.
 GENEVIEVE, and REYNOLDS Counties; and portions of MADISON,
 PERRY, BOLLINGER, WAYNE, and CARTER Counties

	Rates	Fringes
Ironworker.....	\$ 34.91	27.36

 IRON0396-009 08/07/2019

AUDRAIN, CALLAWAY, COLE, CRAWFORD, DENT, GASCONADE, MARIES,
 MONTGOMERY, OSAGE, PHELPS, PIKE, PULASKI, TEXAS and WRIGHT
 Counties; and portions of BOONE, CAMDEN, DOUGLAS, HOWELL,
 LACLEDE, MILLER, MONROE, OREGON, SHANNON and RALLS Counties

	Rates	Fringes
Ironworker.....	\$ 30.44	27.36

 IRON0577-005 06/01/2019

ADAIR, CLARK, KNOX, LEWIS, MACON, MARION, MONROE, RALLS,
 SCHUYLER, SCOTLAND, AND SHELBY COUNTIES

	Rates	Fringes
Ironworker.....	\$ 26.60	24.00

IRON0584-004 06/01/2019

BARRY, JASPER, LAWRENCE, MCDONALD, NEWTON AND STONE Counties

	Rates	Fringes
Ironworkers:.....	\$ 26.00	15.35

IRON0782-003 05/01/2019

CAPE GIRARDEAU, MISSISSIPPI, NEW MADRID, SCOTT, & STODDARD Counties; and portions of BOLLINGER, BUTLER, CARTER, DUNKLIN, MADISON, PEMISCOT, PERRY, RIPLEY, and WAYNE Counties

	Rates	Fringes
Ironworkers:		
Locks, Dams, Bridges and other major work on the Mississippi and Ohio River only.....	\$ 31.63	24.27
All Other Work.....	\$ 27.38	23.29

LAB00042-003 03/04/2020

ST. LOUIS (City and County)

	Rates	Fringes
LABORER		
Plumber Laborer.....	\$ 34.07	16.07

LAB00042-005 03/04/2020

ST. LOUIS (City and County)

	Rates	Fringes
LABORER		
Dynamiter, Powderman.....	\$ 34.07	16.07
Laborers, Flaggers.....	\$ 34.07	16.07
Wrecking.....	\$ 34.07	16.07

LAB00424-002 05/01/2020

	Rates	Fringes
LABORER		
ADAIR, AUDRAIN, BOONE, CALLAWAY, CHARITON, CLARK, COLE, COOPER, HOWARD, IRON, KNOX, LEWIS, LINN, MACON, MADISON, MARION, MILLER, MONITEAU, MONROE, PERRY, PIKE, PUTNAM, RALLS, RANDOLPH, REYNOLDS, ST. FRANCOIS, STE. GENEVIEVE, SCHUYLER,		

SCOTLAND, SHELBY AND		
SULLIVAN COUNTIES		
GROUP 1.....	\$ 30.75	14.57
GROUP 2.....	\$ 30.75	14.57
BOLLINGER, BUTLER, CAPE		
GIRARDEAU, CARTER,		
CRAWFORD, DENT, DUNKLIN,		
GASCONADE, HOWELL, MARIES,		
MISSISSIPPI, NEW MADRID,		
OREGON, OSAGE, PEMISCOT,		
PHELPS, PULASKI, RIPLEY,		
SCOTT, SHANNON, STODDARD,		
TEXAS, WASHINGTON AND		
WAYNE COUNTIES		
GROUP 1.....	\$ 30.75	14.57
GROUP 2.....	\$ 30.75	14.57
FRANKLIN COUNTY		
GROUP 1.....	\$ 32.86	14.57
GROUP 2.....	\$ 33.46	14.57
JEFFERSON COUNTY		
GROUP 1.....	\$ 32.91	14.57
GROUP 2.....	\$ 33.51	14.57
LINCOLN, MONTGOMERY AND		
WARREN COUNTIES		
GROUP 1.....	\$ 34.33	14.57
GROUP 2.....	\$ 34.33	14.57
ST.CHARLES COUNTY		
GROUP 1.....	\$ 34.33	14.57
GROUP 2.....	\$ 34.33	14.57

LABORERS CLASSIFICATIONS

GROUP 1 - General laborer-flagman, carpenter tenders; salamander Tenders; Dump Man; Ticket Takers; loading trucks under bins, hoppers, and conveyors; track man; cement handler; dump man on earth fill; georgie buggy man; material batch hopper man; spreader on asphalt machine; material mixer man (except on manholes); coffer dams; riprap pavers rock, block or brick; scaffolds over ten feet not self-supported from ground up; skip man on concrete paving; wire mesh setters on concrete paving; all work in connection with sewer, water, gas, gasoling, oil, drainage pipe, conduit pipe, tile and duct lines and all other pipe lines; power tool operator; all work in connection with hydraulic or general dredging operations; form setters, puddlers (paving only); straw blower nozzle man; asphalt plant platform man; chuck tender; crusher feeder; men handling creosote ties or creosote materials; men working with and handling epoxy material; topper of standing trees; feeder man on wood pulverizers, board and willow mat weavers and cabelee tiers on river work; deck hands; pile dike and revetment work; all laborers working on underground tunnels less than 25 ft. where compressed air is not used; abutement and pier hole men working six (6) ft. or more below ground; men working in coffer dams for bridge piers and footing in the river; barco tamper; jackson or any other similar tamp; cutting torch man; liners, curb, gutters, ditch lines; hot mastic kettlemen; hot tar applicator; hand blade operator; mortar men or brick or block manholes; rubbing concrete, air tool operator under 65 lbs.; caulker and lead man; chain or concrete saw under 15 h.p.; signal Gan; Guard rail and sign erectors.

GROUP 2 - Skilled laborers - Vibrator man; asphalt raker;

head pipe layer on sewer work; batterboard man on pipe and ditch work; cliff scalers working from bosun's chairs; scaffolds or platforms on dams or power plants over 10 ft. high; air tool operator over 65 lbs.; stringline man on concrete paving; sandblast man; laser beam man; wagon drill; churn drill; air track drill and all other similar type drills, gunite nozzle man; pressure grout man; screed man on asphalt; concrete saw 15 h.p. and over; grade checker; strigline man on electronic grade control; manhole builder; dynamite man; powder man; welder; tunnel man; waterblaster - 1000 psi or over; asbestos and/or hazardous waste removal and/or disposal

LAB00579-005 05/01/2020

	Rates	Fringes
LABORER (ANDREW, ATCHISON, BUCHANAN, CALDWELL, CLINTON, DAVIESS, DEKALB, GENTRY, GRUNDY, HARRISON, HOLT, LIVINGSTON, MERCER, NODAWAY and WORTH COUNTIES.)		
GROUP 1.....	\$ 27.21	15.42
GROUP 2.....	\$ 27.56	15.42
LABORER (BARRY, BARTON, BATES, BENTON, CAMDEN, CARROLL, CEDAR, CHRISTIAN, DADE, DALLAS, DOUGLAS, GREENE, HENRY. HICKORY, JASPER, JOHNSON, LACLEDE, LAWRENCE, MCDONALD, MORGAN, NEWTON, OZARK, PETTIS, POLK, ST.CLAIR, SALINE, STONE, TANEY, VERNON, WEBSTER and WRIGHT COUNTIES)		
GROUP 1.....	\$ 26.21	14.62
GROUP 2.....	\$ 26.76	14.62
LABORER (LAFAYETTE COUNTY)		
GROUP 1.....	\$ 27.76	14.87
GROUP 2.....	\$ 28.11	14.87

LABORERS CLASSIFICATIONS

GROUP 1: General Laborers - Carpenter tenders; salamander tenders; loading trucks under bins; hoppers & conveyors; track men & all other general laborers; air tool operator; cement handler-bulk or sack; dump man on earth fill; georgie buggy man; material batch hopper man; material mixer man (except on manholes); coffer dams; riprap pavers - rock, block or brick; signal man; scaffolds over ten feet not self-supported from ground up; skipman on concrete paving; wire mesh setters on concrete paving; all work in connection with sewer, water, gas, gasoline, oil drainage pipe, conduit pipe, tile and duct lines and all other pipe lines; power tool operator, all work in connection with hydraulic or general dredging operations; puddlers (paving only); straw blower nozzle man; asphalt plant platform man; chuck tender; crusher feeder; men handling creosote ties or creosote materials; men working with and handling epoxy material or materials (where special protection is required); rubbing concrete; topper of standing trees; batter board man on pipe and ditch work; feeder man on wood pulverizers; board and willow mat weavers and cable tiers

on river work; deck hands; pile dike and revetment work; all laborers working on underground tunnels less than 25 feet where compressed air is not used; abutment and pier hole men working six (6) feet or more below ground; men working in coffer dams for bridge piers and footings in the river; ditchliners; pressure groutmen; caulker; chain or concrete saw; cliffscalers working from scaffolds, bosuns' chairs or platforms on dams or power plants over (10) feet above ground; mortarmen on brick or block manholes; toxic and hazardous waste work.

GROUP 2: Skilled Laborers - Head pipe layer on sewer work; laser beam man; Jackson or any other similar tamp; cutting torch man; form setters; liners and stringline men on concrete paving, curb, gutters; hot mastic kettleman; hot tar applicator; sandblasting and gunite nozzlemen; air tool operator in tunnels; screed man on asphalt machine; asphalt raker; barco tamper; churn drills; air track drills and all similar drills; vibrator man; stringline man for electronic grade control; manhole builders-brick or block; dynamite and powder men; grade checker.

LAB00663-002 04/01/2020

CASS, CLAY, JACKSON, PLATTE AND RAY COUNTIES

	Rates	Fringes
LABORER		
GROUP 1.....	\$ 31.28	16.33
GROUP 2.....	\$ 32.49	16.33

LABORERS CLASSIFICATIONS

GROUP 1: General laborers, Carpenter tenders, salamander tenders, loading trucks under bins, hoppers and conveyors, track men and all other general laborers, air tool operator, cement handler (bulk or sack), chain or concrete saw, deck hands, dump man on earth fill, Georgie Buggies man, material batch hopper man, scale man, material mixer man (except on manholes), coffer dams, abutments and pier hole men working below ground, riprap pavers rock, black or brick, signal man, scaffolds over ten feet not self-supported from ground up, skipman on concrete paving, wire mesh setters on concrete paving, all work in connection with sewer,water, gas, gasoling, oil, drainage pipe, conduit pipe, tile and duct lines and all other pipelines, power tool operator, all work in connection with hydraulic or general dredging operations, straw blower nozzleleman,asphalt plant platform man, chuck tender, crusher feeder, men handling creosote ties on creosote materials, men working with and handling epoxy material or materials (where special protection is required), topper of standing trees, batter board man on pipe and ditch work, feeder man on wood pulverizers, board and willow mat weavers and cable tiers on river work, deck hands, pile dike and revetment work, all laborers working on underground tunnels less than 25 feet where compressed air is not used, abutment and pier hole men working six (6) feet or more below ground, men working in coffer dams for bridge piers and footings in the river, ditchliners, pressure groutmen, caulker and chain or concrete saw, cliffscalers working from scaffolds, bosuns' chairs or platforms on dams or power plants over (10) feet above ground, mortarmen on brick or block manholes, signal

man.

GROUP 2: Skilled Laborer - spreader or screed man on asphalt machine, asphalt raker, grade checker, vibrator man, concrete saw over 5 hp., laser beam man, barco tamper, jackson or any other similar tamp, wagon driller, churn drills, air track drills and other similar drills, cutting torch man, form setters, liners and stringline men on concrete paving, curb, gutters and etc., hot mastic kettleman, hot tar applicator, hand blade operators, mortar men on brick or block manholes, sand blasting and gunnite nozzle men, rubbing concrete, air tool operator in tunnels, head pipe layer on sewer work, manhole builder (brick or block), dynamite and powder men.

 PAIN002-002 09/01/2007

CLARK, FRANKLIN, JEFFERSON, LEWIS, LINCOLN, MARION, PIKE, RALLS, ST. CHARLES, ST. LOUIS (CITY & COUNTY), AND WARREN COUNTIES

	Rates	Fringes
Painters:		
Brush and Roller; Taper.....	\$ 28.61	10.24
High work over 60 feet.....	\$ 29.11	10.24
Lead Abatement.....	\$ 29.36	10.24
Pressure Roller; High work under 60 ft.....	\$ 28.86	10.24
Spray & Abrasive Blasting; Water Blasting (Over 5000 PSI).....	\$ 30.61	10.24
Taper (Ames Tools & Bazooka).....	\$ 30.21	10.24

 PAIN002-006 04/01/2020

ADAIR, AUDRAIN, BOONE, CALLAWAY, CHARITON, COLE, GASCONADE, HOWARD, KNOX, LINN, MACON, MONROE, MONTGOMERY, OSAGE, PUTNAM, RANDOLPH, SCHUYLER, SCOTLAND, SHELBY AND SULLIVAN COUNTIES and the City of Booneville.

	Rates	Fringes
Painters:		
Bridges, Dams, Locks or Powerhouses.....	\$ 26.64	13.98
Brush and Roll; Taping, Paperhanging.....	\$ 24.64	13.98
Epoxy or Any Two Part Coating; Sandblasting; Stage or other Aerial Work - Platforms over 50 feet high; Lead Abatement.....	\$ 25.64	13.98
Spray; Structural Steel (over 50 feet).....	\$ 24.64	13.98
Tapers using Ames or Comparable Tools.....	\$ 25.39	13.98

 PAIN003-004 04/01/2017

CASS, CLAY, CLINTON, JACKSON, JOHNSON, LAFAYETTE, PLATTE & RAY

COUNTIES

Rates Fringes

Painters:

Bridgeman; Lead Abatement; Sandblast; Storage Bin & Tanks.....	\$ 31.96	16.96
Brush & Roller.....	\$ 29.34	16.96
Drywall.....	\$ 30.34	16.96
Paper Hanger.....	\$ 29.84	16.96
Stageman; Beltman; Steelman; Elevator Shaft; Bazooka, Boxes and Power Sander; Sprayman; Dipping...	\$ 30.96	16.96
Steeplejack.....	\$ 35.53	16.96

PAIN003-011 04/01/2011

BATES, BENTON, CALDWELL, CARROLL, COOPER, DAVIESS, GRUNDY,
HARRISON, HENRY, LIVINGSTON, MERCER, MONITEAU, MORGAN, PETTIS &
SALINE COUNTIES

Rates Fringes

Painters:

Bridgeman; Lead Abatement; Sandblast; Storage Bin & Tanks.....	\$ 24.06	14.04
Brush & Roller.....	\$ 22.67	14.04
Drywall.....	\$ 22.84	14.04
Paper Hanger.....	\$ 23.07	14.04
Stageman; Beltman; Steelman; Elevator Shaft; Bazooka, Boxes and Power Sander; Sprayman; Dipping...	\$ 23.56	14.04
Steeplejack.....	\$ 26.82	14.04

PAIN0203-001 04/01/2012

BARRY, BARTON, CEDAR, CHRISTIAN, DADE, DALLAS, DOUGLAS, GREENE,
HICKORY, HOWELL, JASPER, LAWRENCE, MCDONALD, NEWTON, OZARK,
POLK, ST. CLAIR, STONE, TANEY, VERNON, WEBSTER, and WRIGHT
COUNTIES

Rates Fringes

Painters:

Finisher.....	\$ 20.18	11.33
Painter.....	\$ 19.75	11.76
Sandblaster, High Man, Spray Man, Vinyl Hanger, Tool Operator.....	\$ 21.18	11.33

PAIN1265-003 07/01/2013

CAMDEN, CRAWFORD, DENT, LACLEDE, MARIES, MILLER, PHELPS,
PULASKI AND TEXAS COUNTIES

Rates Fringes

Painters:

Brush and Roller.....	\$ 25.64	13.27
Floor Work.....	\$ 26.14	13.27
Lead Abatement.....	\$ 27.89	13.27
Spray.....	\$ 27.14	13.27
Structural Steel, Sandblasting and All Tank Work.....	\$ 26.89	13.27
Taping, Paperhanging.....	\$ 26.64	13.27

PAIN1292-002 09/01/2016

BOLLINGER, BUTLER, CAPE GIRARDEAU, CARTER, DUNKLIN,
MISSISSIPPI, NEW MADRID, OREGON, PEMISCOT, PERRY, REYNOLDS,
RIPLEY, SCOTT, SHANNON, STODDARD and WAYNE COUNTIES

Rates Fringes

Painters:

Bridges, Stacks & Tanks.....	\$ 30.85	11.64
Brush & Roller.....	\$ 25.35	11.64
Spray & Abrasive Blasting; Waterblasting (over 5000 PSI).....	\$ 28.95	11.64

Height Rates (All Areas):

Over 60 ft. \$0.50 per hour.
Under 60 ft. \$0.25 per hour.

PAIN1292-003 09/01/2017

IRON, MADISON, ST. FRANCOIS, STE. GENEVIEVE and WASHINGTON
COUNTIES

Rates Fringes

Painters:

Bridges, Stacks & Tanks.....	\$ 31.05	12.74
Brush & Roller.....	\$ 25.70	12.74
Spray & Abrasive Blasting; Waterblasting (Over 5000 PSI).....	\$ 28.70	12.74

Height Rates (All Areas):

Over 60 ft. \$0.50 per hour
Under 60 ft. \$0.25 per hour.

PAIN2012-001 04/01/2019

ANDREW, ATCHISON, BUCHANAN, DE KALB, GENTRY, HOLT, NODAWAY &
WORTH COUNTIES

Rates Fringes

Painters:

Brush & Roller.....	\$ 31.26	17.26
Sandblaster.....	\$ 32.76	17.26
Steeplejack.....	\$ 36.33	17.26

PLAS0518-006 03/01/2020

BARRY, BARTON, CEDAR, CHRISTIAN, DADE, DALLAS, DOUGLAS, GREENE, HICKORY, JASPER, LACLEDE, LAWRENCE, MCDONALD, NEWTON, OZARK, POLK, ST. CLAIR, STONE, TANEY, VERNON, WEBSTER, AND WRIGHT COUNTIES

	Rates	Fringes
CEMENT MASON/CONCRETE FINISHER...	\$ 24.44	12.11

PLAS0518-007 04/01/2020		

CASS (Richards-Gebaur AFB only), CLAY, JACKSON, PLATTE AND RAY COUNTIES

	Rates	Fringes
Cement Masons:.....	\$ 32.72	18.30

PLAS0518-011 04/01/2019		

ANDREW, ATCHISON, BATES, BUCHANNAN, CLINTON, DEKALB, GENTRY, HENRY, HOLT, JOHNSON, LAFAYETTE, NODAWAY & WORTH COUNTIES

	Rates	Fringes
CEMENT MASON/CONCRETE FINISHER...	\$ 32.00	20.13

PLAS0527-001 04/01/2018		

	Rates	Fringes
CEMENT MASON FRANKLIN, LINCOLN AND WARREN COUNTIES.....	\$ 30.74	18.07
JEFFERSON, ST. CHARLES COUNTIES AND ST. LOUIS (City and County).....	\$ 32.66	18.62

PLAS0527-004 06/01/2017		

CRAWFORD, DENT, IRON, MADISON, MARION, PHELPS, PIKE, PULASKI, RALLS, REYNOLDS, ST. FRANCOIS, STE. GENEVIEVE, SHANNON, TEXAS, WASHINGTON COUNTIES

	Rates	Fringes
CEMENT MASON.....	\$ 28.10	18.07

PLAS0908-001 05/01/2017		

BOLLINGER, BUTLER, CAPE GIRARDEAU, CARTER, DUNKLIN, HOWELL, MISSISSIPPI, NEW MADRID, OREGON, PEMISCOT, PERRY, RIPLEY, SCOTT, STODDARD, AND WAYNE COUNTIES

	Rates	Fringes
CEMENT MASON.....	\$ 27.60	15.73

PLAS0908-005 05/01/2017		

BENTON, CALDWELL, CALLAWAY, CAMDEN, CARROLL, COLE, DAVIESS, GASCONADE, GRUNDY, HARRISON, LIVINGSTON, MACON, MARIES, MERCER, MILLER, MONTGOMERY, MORGAN, OSAGE, PETTIS & SALINE COUNTIES

	Rates	Fringes
CEMENT MASON.....	\$ 27.60	15.73

PLUM0008-003 06/01/2020		

CASS, CLAY, JACKSON, JOHNSON, AND PLATTE COUNTIES

	Rates	Fringes
Plumbers.....	\$ 48.03	22.84

PLUM0008-017 06/01/2020		

BATES, BENTON, CARROLL, HENRY, LAFAYETTE, MORGAN, PETTIS, RAY, ST. CLAIR, SALINE AND VERNON COUNTIES

	Rates	Fringes
Plumbers.....	\$ 48.03	22.84

PLUM0045-003 08/01/2019		

ANDREW, ATCHISON, BUCHANAN, CALDWELL, CLINTON, DAVIESS, DEKALB, GENTRY, HARRISON, HOLT, NODAWAY AND WORTH COUNTIES

	Rates	Fringes
Plumbers and Pipefitters.....	\$ 37.75	23.65

PLUM0178-003 11/01/2019		

BARRY, CEDAR, CHRISTIAN, DADE, DALLAS, DOUGLAS, GREENE, HICKORY, LACLEDE, LAWRENCE, POLK, STONE, TANEY, WEBSTER AND WRIGHT COUNTIES

	Rates	Fringes
Plumbers and Pipefitters.....	\$ 31.75	15.12

PLUM0178-006 11/01/2019		

BARTON, JASPER, MCDONALD AND NEWTON COUNTIES

	Rates	Fringes
Plumbers and Pipefitters		
Projects \$750,000 & under...	\$ 27.93	15.35
Projects over \$750,000.....	\$ 31.75	15.12

PLUM0533-004 06/01/2020		

BATES, BENTON, CARROLL, CASS, CLAY, HENRY, HICKORY, JACKSON, JOHNSON, LAFAYETTE, MORGAN, PETTIS, PLATTE, RAY, SALINE, ST. CLAIR AND VERNON COUNTIES

	Rates	Fringes
Pipefitters.....	\$ 48.53	22.55

 * PLUM0562-004 07/01/2020

ADAIR, AUDRAIN, BOLLINGER, BOONE, BUTLER, CALLAWAY, CAMDEN, CAPE GIRARDEAU, CARTER, CHARITON, CLARK, COLE, COOPER, CRAWFORD, DENT, DUNKLIN, FRANKLIN, GASCONADE, GRUNDY, HOWARD, HOWELL, IRON, JEFFERSON, KNOX, LEWIS, LINCOLN, LINN, LIVINGSTON, MACON, MADISON, MARIES, MARION, MERCER, MILLER, MISSISSIPPI, MONITEAU, MONROE, MONTGOMERY, NEW MADRID, OREGON, OSAGE, PEMISCOTT, PERRY, PHELPS, PIKE, PULASKI, PUTNAM, RALLS, RANDOLPH, REYNOLDS, RIPLEY, ST. CHARLES, ST. FRANCOIS, STE. GENEVIEVE, ST. LOUIS, SCHUYLER, SCOTLAND, SCOTT, SHANNON, SHELBY, STODDARD, SULLIVAN, TEXAS, WARREN, WASHINGTON, AND WAYNE COUNTIES.

	Rates	Fringes
Plumbers and Pipefitters Mechanical Contracts including all piping and temperature control work \$7.0 million & under.....	\$ 41.66	21.49
Mechanical Contracts including all piping and temperature control work over \$7.0 million.....	\$ 43.60	27.85

 * PLUM0562-016 07/01/2020

CAMDEN, COLE, CRAWFORD, FRANKLIN, JEFFERSON, MARIES, MILLER, MONITEAU, OSAGE, PHELPS, PULASKI, ST. CHARLES, ST. LOUIS (City and County), WARREN and WASHINGTON COUNTIES

	Rates	Fringes
Plumbers Mechanical Contracts including all piping and temperature control work \$7.0 million & under.....	\$ 40.41	21.49
Mechanical Contracts including all piping and temperature control work over \$7.0 million.....	\$ 43.60	27.85

 TEAM0013-001 05/01/2019

	Rates	Fringes
Truck drivers (ADAIR, BUTLER, CLARK, DUNKIN, HOWELL, KNOX, LEWIS, OREGON, PUTNAM, RIPLEY, SCHUYLER AND SCOTLAND COUNTIES)		
GROUP 1.....	\$ 30.34	13.75
GROUP 2.....	\$ 30.49	13.75
GROUP 3.....	\$ 30.61	13.75
GROUP 4.....	\$ 30.50	13.75

Truck drivers (AUDRAIN,
 BOLLINGER, BOONE, CALLAWAY,

CAPE GIRARDEAU, CARTER, COLE,
 CRAWFORD, DENT, GASCONADE,
 IRON, MACON, MADISON, MARIES,
 MARION, MILLER, MISSISSIPPI,
 MONROE, MONTGOMERY, NEW
 MADRID, OSAGE, PEMISCOT,
 PERRY, PHELPS, PIKE, PULASKI,
 RALLS, REYNOLDS, ST.
 FRANCOIS, STE. GENEVIEVE,
 SCOTT, SHANNON, SHELBY,
 STODDARD, TEXAS, WASHINGTON
 AND WAYNE COUNTIES)

GROUP 1.....	\$ 31.07	13.75
GROUP 2.....	\$ 31.22	13.75
GROUP 3.....	\$ 31.34	13.75
GROUP 4.....	\$ 31.23	13.75

Truck drivers (FRANKLIN,
 JEFFERSON and ST. CHARLES
 COUNTIES)

GROUP 1.....	\$ 33.43	13.75
GROUP 2.....	\$ 33.58	13.75
GROUP 3.....	\$ 33.65	13.75
GROUP 4.....	\$ 33.54	13.75

Truck drivers (LINCOLN and
 WARREN COUNTIES)

GROUP 1.....	\$ 32.08	13.75
GROUP 2.....	\$ 33.23	13.75
GROUP 3.....	\$ 32.30	13.75
GROUP 4.....	\$ 32.19	13.75

TRUCK DRIVERS CLASSIFICATIONS:

GROUP 1: Flat Bed Trucks, Single Axle; Station Wagons;
 Pickup Trucks; Material Trucks, Single Axle; Tank Wagon,
 Single Axle

GROUP 2: Agitator and Transit Mix Trucks

GROUP 3: Flat Bed Trucks, Tandem Axle; Articulated Dump
 Trucks; Material Trucks, Tandem Axle; Tank Wagon, Tandem
 Axle

GROUP 4: Semi and/or Pole Trailers; Winch, Fork & Steel
 Trucks; Distributor Drivers and Operators; Tank Wagon,
 Semi-Trailer; Insley Wagons, Dumpsters, Half-Tracks,
 Speedace, Euclids and other similar equipment; A-Frame and
 Derrick Trucks; Float or Low Boy

 TEAM0056-001 05/01/2020

Rates Fringes

Truck drivers (ANDREW,
 BARTON, BATES, BENTON,
 CALDWELL, CAMDEN, CARROLL,
 CEDAR, CHARITON, CHRISTIAN,
 CLINTON, COOPER, DADE,
 DALLAS, DAVIESS, DEKALB,
 DOUGLAS, GREENE, HENRY,
 HICKORY, HOWARD, JASPER,
 LACLEDE, LAWRENCE, LINN,
 LIVINGSTON, MONITEAU, MORGAN,
 NEWTON, PETTIS, POLK,
 RANDOLPH, ST. CLAIR, SALINE,

VERNON, WEBSTER AND WRIGHT COUNTIES)

GROUP 1.....	\$ 31.37	14.25
GROUP 2.....	\$ 31.53	14.25
GROUP 3.....	\$ 31.52	14.25
GROUP 4.....	\$ 31.64	14.25

Truck drivers: (ATCHISON, BARRY, GENTRY, GRUNDY, HARRISON, HOLT, MCDONALD, MERCER, NODAWAY, OZARK, STONE, SULLIVAN, TANEY AND WORTH COUNTIES)

GROUP 1.....	\$ 30.64	14.25
GROUP 2.....	\$ 30.80	14.25
GROUP 3.....	\$ 30.79	14.25
GROUP 4.....	\$ 30.91	14.25

Truck drivers; (BUCHANAN, JOHNSON AND LAFAYETTE COUNTIES)

GROUP 1.....	\$ 32.58	14.25
GROUP 2.....	\$ 32.69	14.25
GROUP 3.....	\$ 32.73	14.25
GROUP 4.....	\$ 32.80	14.25

TRUCK DRIVER CLASSIFICATIONS

GROUP 1: Flat bed trucks single axle; station wagons; pickup trucks; material trucks single axle; tank wagons single axle.

GROUP 2: Agitator and transit mix-trucks.

GROUP 3: Flat bed trucks tandem axle; articulated dump trucks; material trucks tandem axle; tank wagons tandem axle.

GROUP 4: Semi and/or pole trailers; winch, fork & steel trucks; distributor drivers & operators; tank wagons semi-trailer; insley wagons, dumpsters, half-tracks, speedace, euclids & other similar equipment; A-frames and derrick trucks; float or low boy.

TEAM0245-001 03/26/2012

BARRY, BARTON, CAMDEN, CEDAR, CHRISTIAN, DALLAS, DENT, DOUGLAS, GREENE, HICKORY, HOWELL, JASPER, LACLEDE, LAWRENCE, MCDONALD, MILLER, NEWTON, OZARK, PHELPS, POLK, PULASKI, SHANNON, STONE, TANEY, TEXAS, VERNON, WEBSTER AND WRIGHT COUNTIES

Rates Fringes

Truck drivers:

Traffic Control Service Driver.....	\$ 20.45	0.00
-------------------------------------	----------	------

PAID HOLIDAYS: New Year's Day, Decoration Day, July 4th, Labor Day, Thanksgiving Day, Christmas Day, employee's birthday and 2 personal days.

TEAM0541-001 04/01/2020

CASS, CLAY, JACKSON, PLATTE AND RAY COUNTIES

Rates Fringes

Truck drivers:

GROUP 1.....	\$ 33.36	16.25
GROUP 2.....	\$ 32.79	16.25
GROUP 3.....	\$ 32.27	16.25

TRUCK DRIVERS CLASSIFICATIONS

GROUP 1: Mechanics and Welders, Field; A-Frame Low Boy-Boomeruck Driver.

GROUP 2: Articulated Dump Truck; Insley Wagons: Dump Trucks, Excavating, 5 cu yds and over; Dumpsters; Half-Tracks: Speedace: Euclids & similar excavating equipment Material trucks, Tandem Two teams; Semi-Trailers; Winch trucks-Fork trucks; Distributor Drivers and Operators; Agitator and Transit Mix; Tank Wagon Drivers, Tandem or Semi; One Team; Station Wagons; Pickup Trucks; Material Trucks, Single Axle; Tank Wagon Drivers, Single Axle

GROUP 3: Oilers and Greasers - Field

TEAM0682-002 05/01/2017

ST LOUIS CITY AND COUNTY

Rates Fringes

Truck drivers:

GROUP 1.....	\$ 33.30	13.79+a+b+c+d
GROUP 2.....	\$ 33.50	13.79+a+b+c+d
GROUP 3.....	\$ 33.60	13.79+a+b+c+d

a. PENSION: 5/1/2012 - \$182.20 per week.

b. HAZMAT PREMIUM: If Hazmat certification on a job site is required by a state or federal agency or requested by project owner or by the employer, employees on that job site shall receive \$1.50 premium pay.

TRUCK DRIVERS CLASSIFICATIONS

GROUP 1 - Pick-up trucks; forklift, single axle; flatbed trucks; job site ambulance, and trucks or trailers of a water level capacity of 11.99 cu. yds. or less

GROUP 2 - Trucks or trailers of a water level capacity of 12.0 cu yds. up to 22.0 cu yds. including euclids, speedace and similar equipment of same capacity and compressors

GROUP 3 - Trucks or trailers of a water level capacity of 22.0 cu. yds & over including euclids, speedace & all floats, flatbed trailers, boom trucks, winch trucks, including small trailers, farm wagons tilt-top trailers, field offices, tool trailers, concrete pumps, concrete conveyors & gasoline tank trailers and truck mounted mobile concrete mixers

FOOTNOTE FOR TRUCK DRIVERS:

c. PAID HOLIDAYS: Christmas Day, Independence Day, Labor Day, Memorial Day, Veterans Day, New Years Day,

Thanksgiving Day

d. PAID VACATION: 3 days paid vacation for 600 hours of service in any one contract year; 4 days paid vacation for 800 hours of service in any one contract year; 5 days paid vacation for 1,000 hours of service in any one contract year. When such an employee has completed 3 years of continuous employment with the same employer and then works the above required number of hours, he shall receive double the number of days of vacation specified above. When such an employee has completed 10 years of continuous employment with the same employer and then works the above required number of hours, he shall receive triple the number of days of vacation specified above. When such an employee has completed 15 years of continuous employment with the same employer and then works the above required number of hours, he shall receive 4 times the number of days of vacation specified above.

WELDERS - Receive rate prescribed for craft performing operation to which welding is incidental.
=====

Note: Executive Order (EO) 13706, Establishing Paid Sick Leave for Federal Contractors applies to all contracts subject to the Davis-Bacon Act for which the contract is awarded (and any solicitation was issued) on or after January 1, 2017. If this contract is covered by the EO, the contractor must provide employees with 1 hour of paid sick leave for every 30 hours they work, up to 56 hours of paid sick leave each year. Employees must be permitted to use paid sick leave for their own illness, injury or other health-related needs, including preventive care; to assist a family member (or person who is like family to the employee) who is ill, injured, or has other health-related needs, including preventive care; or for reasons resulting from, or to assist a family member (or person who is like family to the employee) who is a victim of, domestic violence, sexual assault, or stalking. Additional information on contractor requirements and worker protections under the EO is available at www.dol.gov/whd/govcontracts.

Unlisted classifications needed for work not included within the scope of the classifications listed may be added after award only as provided in the labor standards contract clauses (29CFR 5.5 (a) (1) (ii)).

The body of each wage determination lists the classification and wage rates that have been found to be prevailing for the cited type(s) of construction in the area covered by the wage determination. The classifications are listed in alphabetical order of ""identifiers"" that indicate whether the particular rate is a union rate (current union negotiated rate for local), a survey rate (weighted average rate) or a union average rate (weighted union average rate).

Union Rate Identifiers

A four letter classification abbreviation identifier enclosed

in dotted lines beginning with characters other than ""SU"" or ""UAVG"" denotes that the union classification and rate were prevailing for that classification in the survey. Example: PLUM0198-005 07/01/2014. PLUM is an abbreviation identifier of the union which prevailed in the survey for this classification, which in this example would be Plumbers. 0198 indicates the local union number or district council number where applicable, i.e., Plumbers Local 0198. The next number, 005 in the example, is an internal number used in processing the wage determination. 07/01/2014 is the effective date of the most current negotiated rate, which in this example is July 1, 2014.

Union prevailing wage rates are updated to reflect all rate changes in the collective bargaining agreement (CBA) governing this classification and rate.

Survey Rate Identifiers

Classifications listed under the ""SU"" identifier indicate that no one rate prevailed for this classification in the survey and the published rate is derived by computing a weighted average rate based on all the rates reported in the survey for that classification. As this weighted average rate includes all rates reported in the survey, it may include both union and non-union rates. Example: SULA2012-007 5/13/2014. SU indicates the rates are survey rates based on a weighted average calculation of rates and are not majority rates. LA indicates the State of Louisiana. 2012 is the year of survey on which these classifications and rates are based. The next number, 007 in the example, is an internal number used in producing the wage determination. 5/13/2014 indicates the survey completion date for the classifications and rates under that identifier.

Survey wage rates are not updated and remain in effect until a new survey is conducted.

Union Average Rate Identifiers

Classification(s) listed under the UAVG identifier indicate that no single majority rate prevailed for those classifications; however, 100% of the data reported for the classifications was union data. EXAMPLE: UAVG-OH-0010 08/29/2014. UAVG indicates that the rate is a weighted union average rate. OH indicates the state. The next number, 0010 in the example, is an internal number used in producing the wage determination. 08/29/2014 indicates the survey completion date for the classifications and rates under that identifier.

A UAVG rate will be updated once a year, usually in January of each year, to reflect a weighted average of the current negotiated/CBA rate of the union locals from which the rate is based.

WAGE DETERMINATION APPEALS PROCESS

1.) Has there been an initial decision in the matter? This can be:

- * an existing published wage determination
- * a survey underlying a wage determination

- * a Wage and Hour Division letter setting forth a position on a wage determination matter
- * a conformance (additional classification and rate) ruling

On survey related matters, initial contact, including requests for summaries of surveys, should be with the Wage and Hour Regional Office for the area in which the survey was conducted because those Regional Offices have responsibility for the Davis-Bacon survey program. If the response from this initial contact is not satisfactory, then the process described in 2.) and 3.) should be followed.

With regard to any other matter not yet ripe for the formal process described here, initial contact should be with the Branch of Construction Wage Determinations. Write to:

Branch of Construction Wage Determinations
Wage and Hour Division
U.S. Department of Labor
200 Constitution Avenue, N.W.
Washington, DC 20210

2.) If the answer to the question in 1.) is yes, then an interested party (those affected by the action) can request review and reconsideration from the Wage and Hour Administrator (See 29 CFR Part 1.8 and 29 CFR Part 7). Write to:

Wage and Hour Administrator
U.S. Department of Labor
200 Constitution Avenue, N.W.
Washington, DC 20210

The request should be accompanied by a full statement of the interested party's position and by any information (wage payment data, project description, area practice material, etc.) that the requestor considers relevant to the issue.

3.) If the decision of the Administrator is not favorable, an interested party may appeal directly to the Administrative Review Board (formerly the Wage Appeals Board). Write to:

Administrative Review Board
U.S. Department of Labor
200 Constitution Avenue, N.W.
Washington, DC 20210

4.) All decisions by the Administrative Review Board are final.

=====
END OF GENERAL DECISION"