

Osage County Route 100 Roadway and Bridge Improvements over Shawnee Creek



Job No: J5S3243

Project Facts:

- ◆ Removal and replacement of bridge on Route 100 over the Shawnee Creek between Route Z and Route 89
- ◆ Existing bridge deck: 22' width, 88'-9" length
- ◆ Proposed bridge deck: 26' width, 118'-6" length
- ◆ Roadway improvements approximately 395' west and 420' east of the bridge

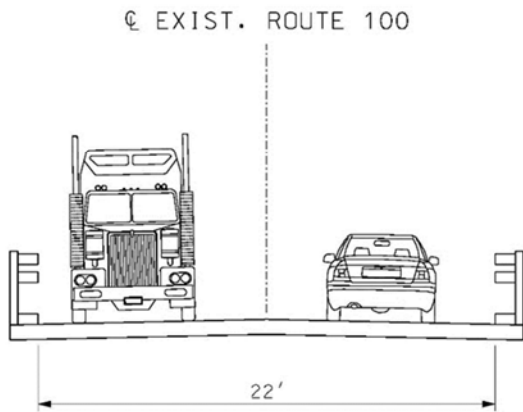
Bridge Facts:

- ◆ Constructed in 1947
- ◆ Bridge deck deteriorating; last inspection poor condition

Traffic Impacts:

- ◆ Bridge will be closed during construction
- ◆ Detour signed during closure
- ◆ Closed up to 3.5 months during construction
- ◆ Alternate routes available during closure

EXISTING BRIDGE TYPICAL SECTION

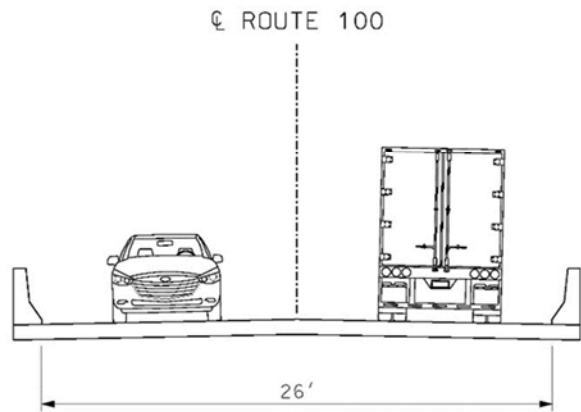


EXISTING BRIDGE DECK

ROUTE 100 – BRIDGE #L0194

* EXISTING BRIDGE WAS CONSTRUCTED IN 1947

PROPOSED BRIDGE TYPICAL SECTION



PROPOSED BRIDGE DECK

ROUTE 100 – BRIDGE #A8811

* PROPOSED BRIDGE DECK – CONSTRUCTION YEAR 2020

Construction:

- ◆ Construct in 2020

Estimated Total Project Cost:

- ◆ \$740,000.00

