

Osage County Route D Roadway and Bridge Improvements over Mistaken Creek



Job No: J5S3250

Bridge Facts:

- Constructed in 1954
- Bridge deteriorating, bridge deck in poor condition, posted weight restrictions

Project Facts:

- Removal and replacement of bridge on Route D over Mistaken Creek (Near Cooper Hill)
- Existing Bridge Deck: 20' width, 135' length
- Proposed Bridge Deck: 24' width, 144' length
- Roadway improvements approximately 74' to the west and 74' to the east of the bridge

Traffic Impacts:

- Bridge will be closed during construction
- Closed up to 3 months
- Detour will be signed during construction and will follow Route A, Route 28 and Route 89

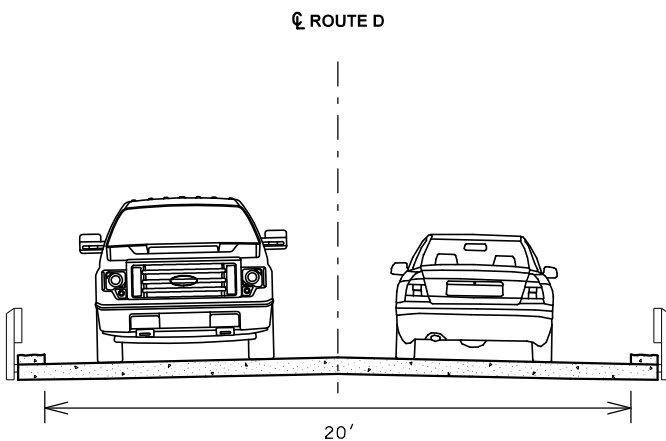
Construction:

- Construct in 2020

Estimated Total Project Cost:

- Estimated Total Construction Cost = \$567,000

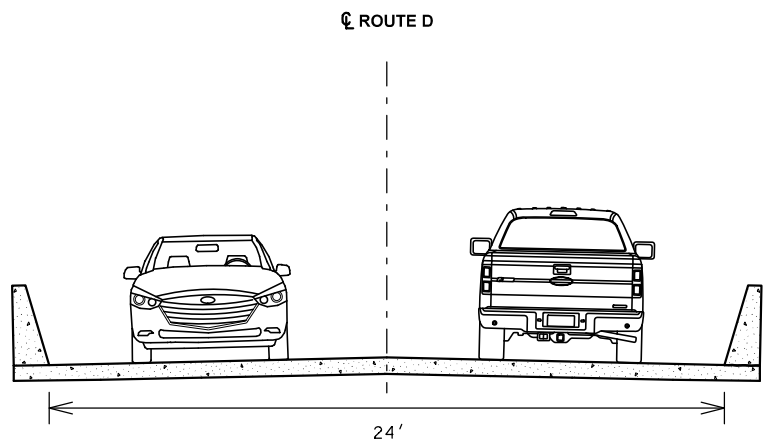
EXISTING BRIDGE TYPICAL SECTION



EXISTING BRIDGE DECK

ROUTE D - BR. #P0586
CONSTRUCTION YEAR 1954
LENGTH = 135'

PROPOSED BRIDGE TYPICAL SECTION



PROPOSED BRIDGE DECK

ROUTE D - BR. #A8812
CONSTRUCTION YEAR 2020
LENGTH = 144'