

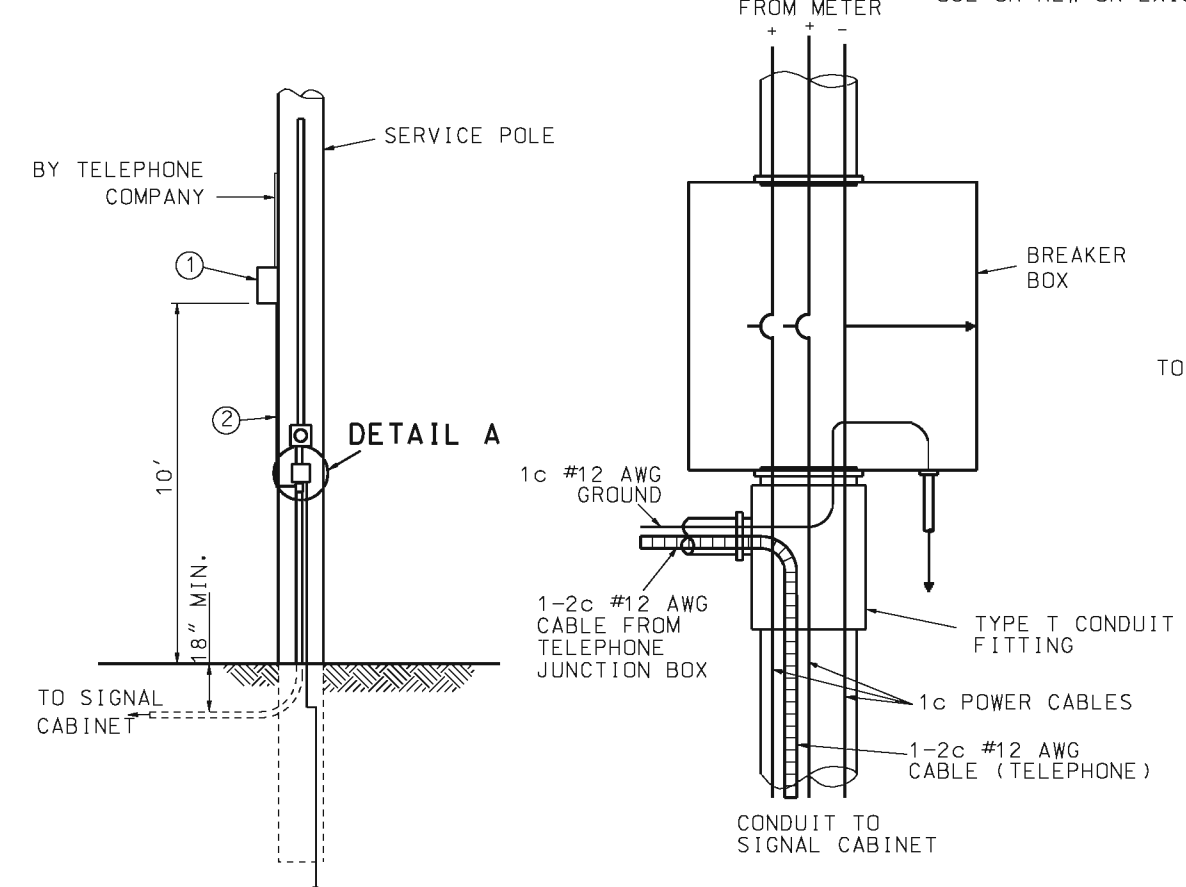
**TYPE 902.10-U**  
USE ON EXISTING ONLY

**TYPE TPA**  
USE ON NEW OR EXISTING

**TYPE SWA**  
USE ON NEW OR EXISTING

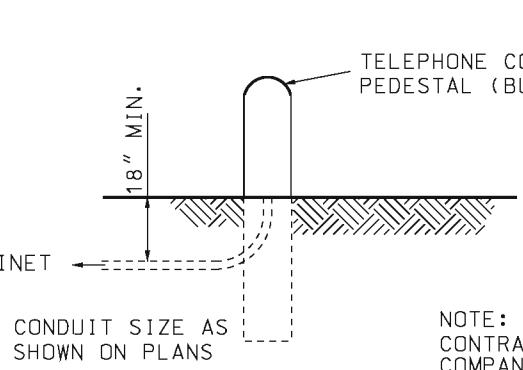
**TYPE CU**  
USE ON NEW ONLY

NOTE:  
WIRING FROM TELEPHONE COMPANY PEDESTAL OR MANHOLE  
WILL BE FURNISHED AND INSTALLED BY TELEPHONE COMPANY.

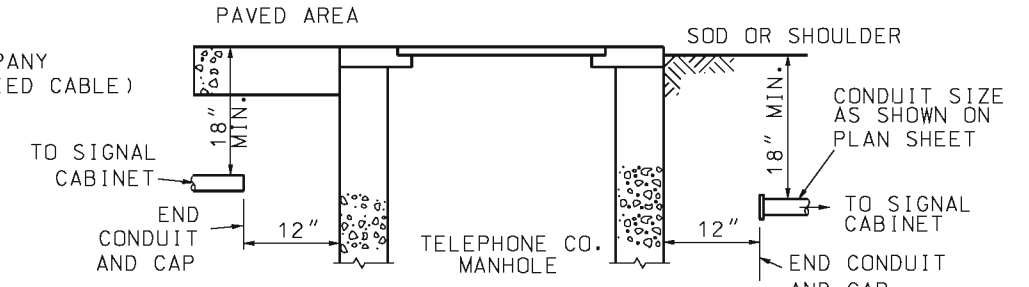


**TYPE 902.10-A**  
USE ON EXISTING ONLY

**DETAIL A**



**TYPE CP**  
USE ON NEW OR EXISTING



NOTE:  
CONTRACTOR TO NOTIFY TELEPHONE  
COMPANY FOR ACCESS AND LOCATION  
OF CONDUIT INTO PEDESTAL.


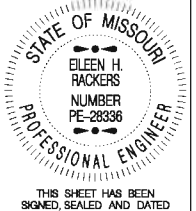
**TYPE CM**  
USE ON NEW OR EXISTING

**UNDERGROUND TELEPHONE CONNECTION**

NOTE:  
SCHEMATIC DIAGRAM APPLIES TO  
STANDARD PLANS 901.80 AND 902.15.

- ① 12" x 12" x 6" JUNCTION BOX WITH 3/4" TO 1 1/2" KNOCK-OUT IN BOTTOM.
  - ② 3/4" MINIMUM METAL CONDUIT CONTAINING 1-2c #12 AWG AND 1c #12 AWG.
  - ③ 3/4" MINIMUM FLEXIBLE CONDUIT CONTAINING 1-2c #12 AWG AND 1c #12 AWG.
- ALL ITEMS CONTRACTOR FURNISHED AND INSTALLED.

**AERIAL TELEPHONE CONNECTION**

 <b>MISSOURI HIGHWAYS AND TRANSPORTATION COMMISSION</b>	
105 WEST CAPITOL JEFFERSON CITY, MO 65102 1-888-ASK-MODOT (1-888-275-6636)	
	<b>TRAFFIC SIGNALS</b> <b>TELEPHONE INTERCONNECT</b>
DATE EFFECTIVE: 03/01/1996 DATE PREPARED: 8/26/2009	<b>902.21C</b>
	SHEET NO. <b>1 OF 1</b>

IF A SEAL IS PRESENT ON THIS SHEET IT HAS BEEN ELECTRONICALLY SEALED AND DATED.