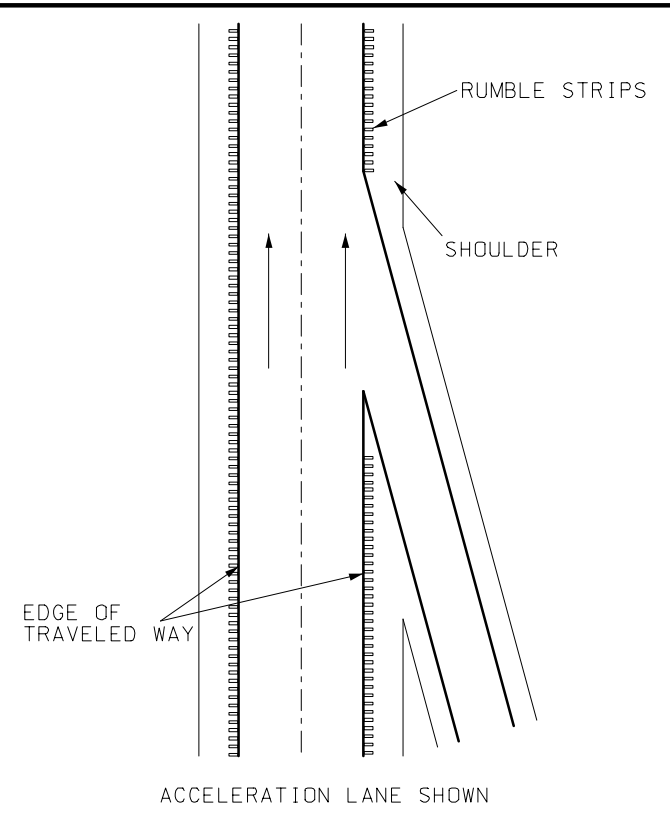
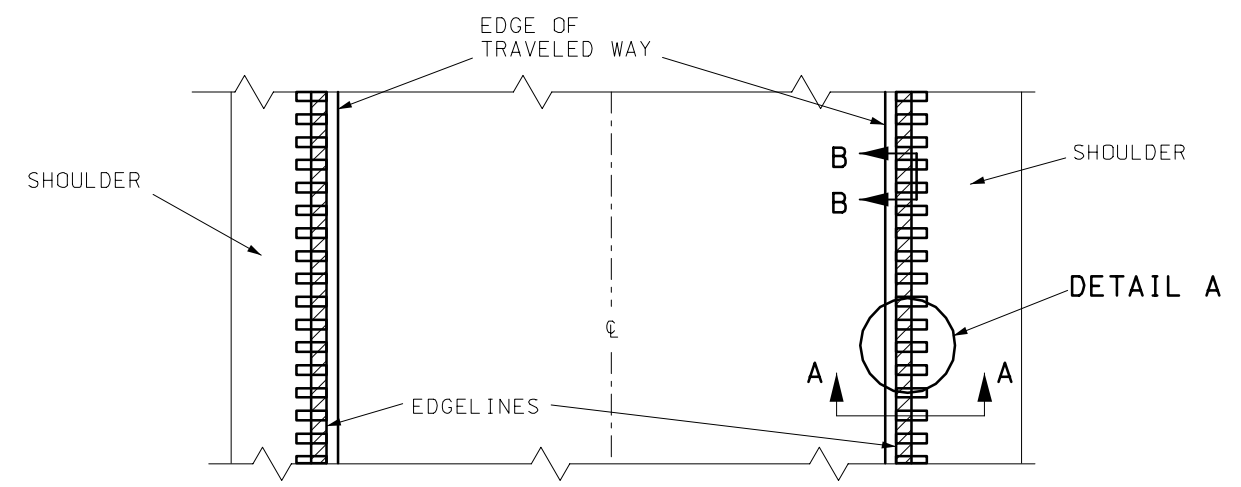


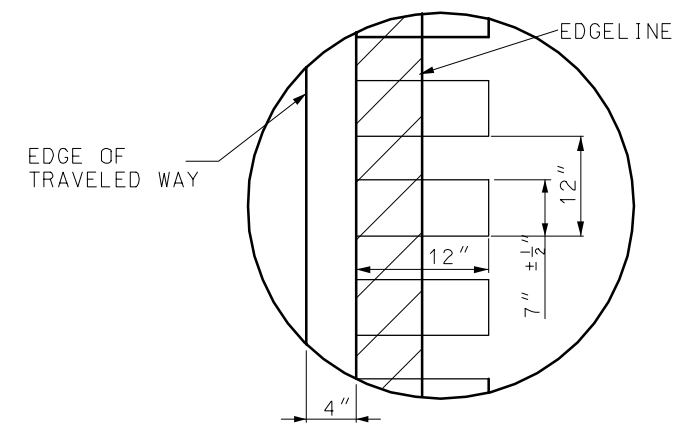
EXPRESSWAY DIVIDED INTERSECTIONS  
**RUMBLE STRIP LAYOUTS**



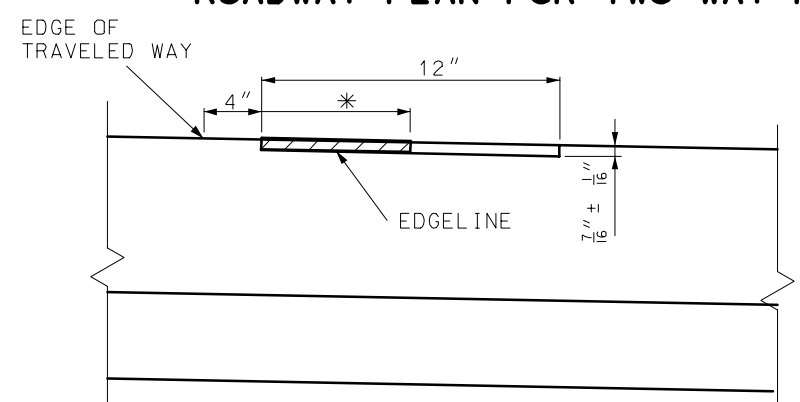
ACCELERATION OR DECELERATION LANE



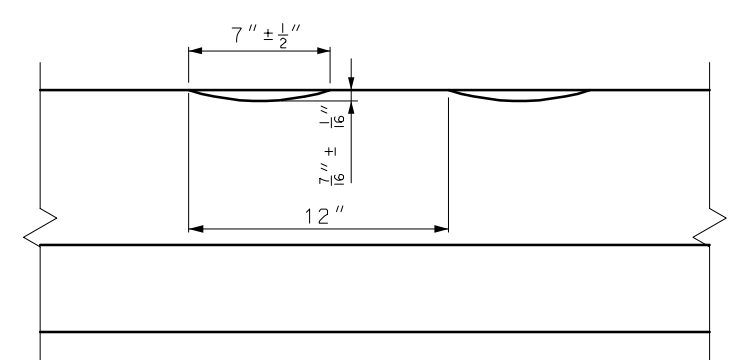
**ROADWAY PLAN FOR TWO-WAY ROAD, FREEWAY OR EXPRESSWAY**



DETAIL A



SECTION A-A



SECTION B-B

\* = WIDTH AS SPECIFIED IN PLANS.

- GENERAL NOTES:
- RUMBLE STRIPS SHALL BE OMITTED IF SHOULDERS ARE LESS THAN 2' WIDE.
  - ALL RUMBLE STRIPS SHALL BE MILLED.
  - RUMBLE STRIPS MAY BE MILLED ONTO SHOULDER JOINTS IF NECESSARY.
  - RUMBLE STRIPS SHALL NOT BE PLACED ON BRIDGES.

MISSOURI HIGHWAYS AND TRANSPORTATION COMMISSION			
<b>RUMBLE STRIPS SHOULDER</b>			
DATE: _____	EFFECTIVE: 05-13-2005	626.00D	1/1