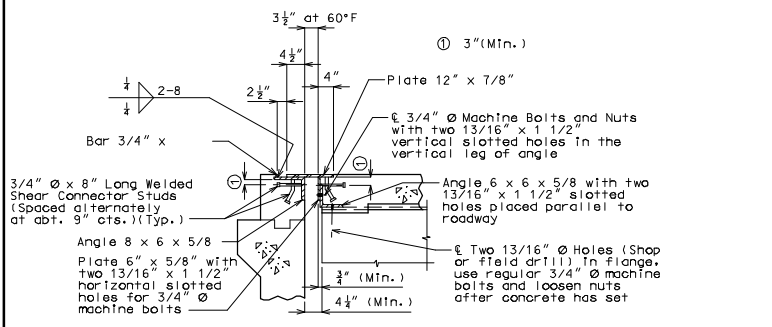
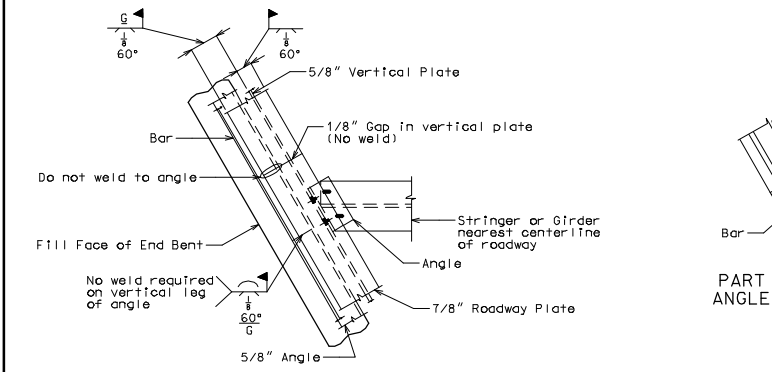


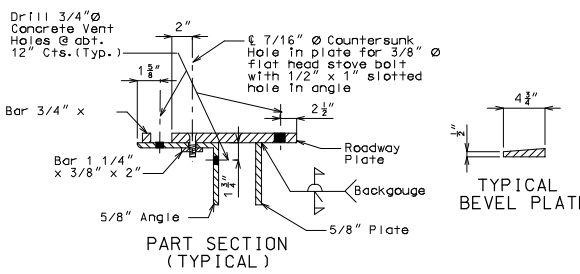
PART PLAN
Note: Concrete vent holes not shown for clarity.



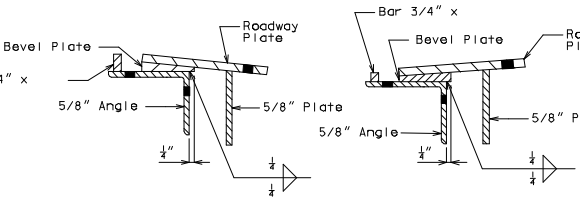
PART SECTION AT END BENT



PERMISSIBLE FIELD SPLICE AT END BENT

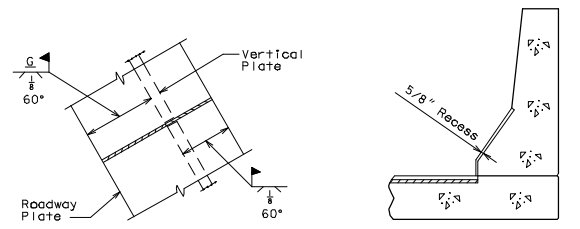


PART SECTION (TYPICAL)

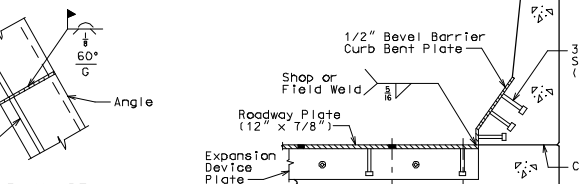


PART SECTION THRU BEVEL PLATE

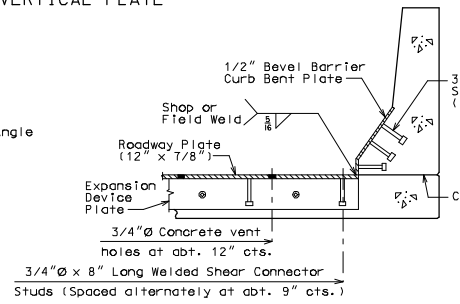
Note: Bevel plates shall be used at end bents when the grade of the slab at expansion device is 3% or more.



PART PLAN ROADWAY PLATE AND VERTICAL PLATE



PART PLAN OF ANGLE AND BAR



PART SECTION A-A

GENERAL NOTES:
Expansion device shall be fabricated in one section, except for slope construction and when the length is over 50 feet. A complete joint penetration groove weld splice shall be required. Welds shall be ground flush to provide a smooth surface. The expansion device shall be fabricated and installed to the crown and grade of the roadway.

Plan dimensions are based on installation at 60° F. The expansion gap and other dimensions shall be increased or decreased for each 10° fall or rise in temperature at installation.

Material for the expansion device shall be ASTM A709 Grade 36 structural steel. Anchors for the expansion device shall be in accordance with Sec 1037.

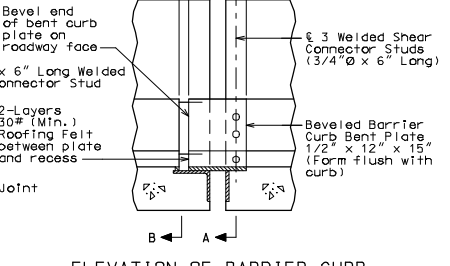
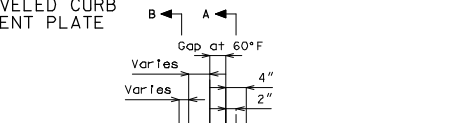
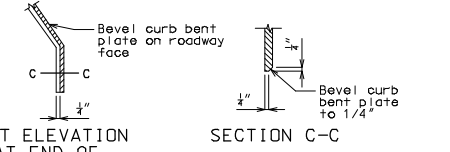
Structural steel for the expansion device and curb plate shall be coated with a minimum of two coats of inorganic zinc primer (5 mils minimum) or galvanized in accordance with ASTM A123. Anchors need not be protected from overspray.

Payment for furnishing, coating or galvanizing and installing the structural steel for the expansion device will be considered completely covered by the contract unit price for Expansion Device (Flat Plate) per linear foot.

Concrete shall be forced under and around flat plate, anchors and angles. Proper consolidation shall be achieved by localized internal vibration. Finishing of the concrete shall be achieved by hand finishing within one foot of the expansion device. The vertical and horizontal concrete vent holes shall be offset from each other. Do not alternate holes at the 12" spacing.

Longitudinal reinforcing steel shall be placed so that ends shall not be more than 31" from vertical plate and the vertical leg of the angle at the expansion device.

Complete joint penetration welds utilized in the fabrication of the expansion device shall be nondestructively tested by an approved method.



ELEVATION OF BARRIER CURB

DETAILS OF FLAT PLATE EXPANSION DEVICE AT END BENT NO.

Note: This drawing is not to scale. Follow dimensions. Sheet No. of

DATE PREPARED 07/28/2008	ROUTE	STATE
	* MO	* MO
	DISTRICT	SHEET NO.
	BR	*
COUNTY	JOB NO.	
*	*	
CONTRACT ID.		
PROJECT NO.		
BRIDGE NO.	FPE 7	
DESCRIPTION		
DATE		

MISSOURI HIGHWAYS AND TRANSPORTATION COMMISSION

105 WEST CAPITAL
JEFFERSON CITY, MO 65102
1-888-ASK-MODOT (1-888-275-6636)

Detailed Checked