

**GENERAL NOTES:**

Finger plate shall be cut with a machine guided gas torch from one plate. The plate from which fingers are cut may be spliced before fingers are cut. The surface of cut shall be perpendicular to the surface of the plate. The cut shall not exceed 1/8" in width. The centerline of cut shall not deviate more than 1/16" from the position of centerline of cut shown. No splicing of finger plate or finger plate assembly will be allowed after fingers are cut. The expansion device shall be fabricated and installed to the crown and grade of the roadway.

Plan dimensions are based on installation at 60°F. The expansion gap and other dimensions shall be increased or decreased for each 10° fall or rise in temperature at installation.

Material for the expansion device shall be ASTM A709 Grade 36 structural steel. Anchors for the expansion device shall be in accordance with Sec 1037.

Structural steel for the expansion device and curb plate shall be coated with a minimum of two coats of inorganic zinc primer (5 mils minimum) or galvanized in accordance with ASTM A123. Anchors need not be protected from over-paint.

Payment for furnishing, coating or galvanizing and installing the structural steel for the expansion device will be considered completely covered by the contract unit price for Expansion Device (Finger Plate) per lin. ft.

All holes shown for connections to be subpunched 11/16"Ø (shop or field drill) and reamed to 13/16"Ø in field.

Longitudinal reinforcing steel shall be placed so that ends shall not be more than ±1" from the web of W14 x 43 at the expansion device.

Complete joint penetration welds utilized in the fabrication of the expansion device shall be nondestructively tested by an approved method.

"THIS MEDIA SHOULD NOT BE CONSIDERED A CERTIFIED DOCUMENT."

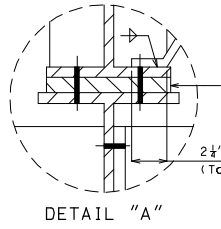
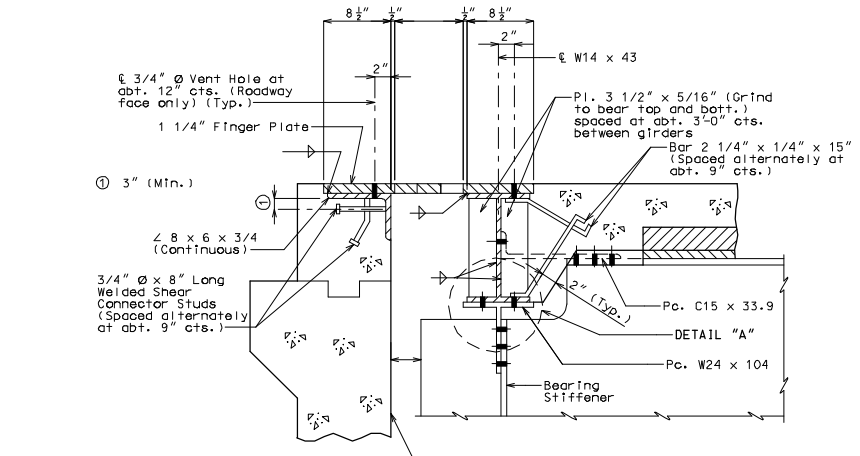
|               |            |
|---------------|------------|
| DATE PREPARED | 10/19/2009 |
| RWITE         | * MO       |
| DISTRICT      | BR         |
| COUNTY        | *          |
| JOB NO.       | *          |
| CONTRACT ID.  | *          |
| PROJECT NO.   | *          |
| BRIDGE NO.    | FIN 18     |

DESCRIPTION

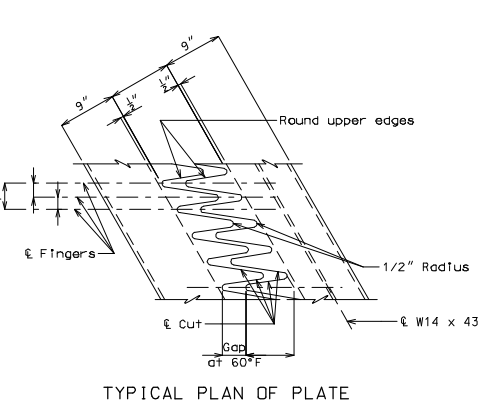
DATE

MISSOURI HIGHWAYS AND TRANSPORTATION COMMISSION

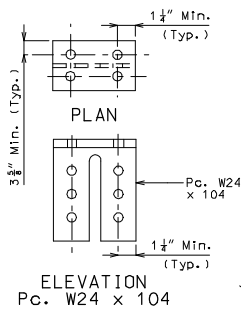
105 WEST CAPITOL  
JEFFERSON CITY, MO 65102  
1-888-ASK-MODOT (1-888-275-6636)



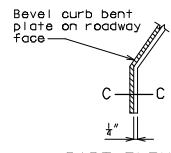
PART SECTION THRU EXPANSION DEVICE



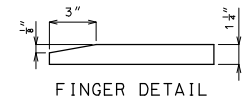
TYPICAL PLAN OF PLATE



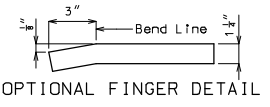
ELEVATION PC. W24 x 104



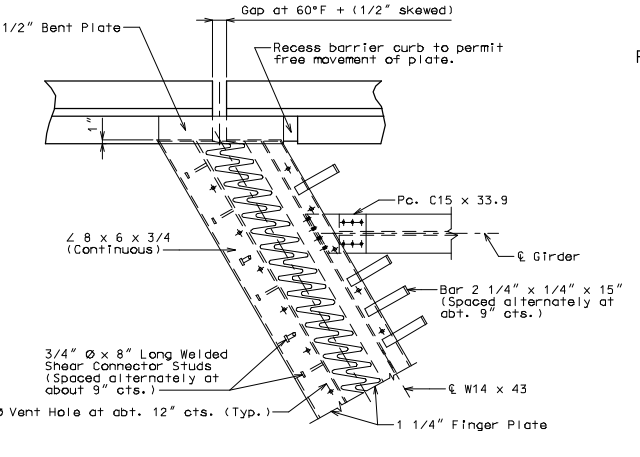
PART ELEVATION AT END OF BEVELED CURB BENT PLATE



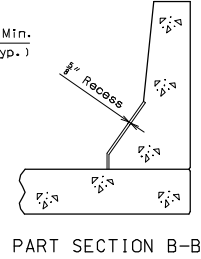
FINGER DETAIL



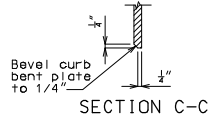
OPTIONAL FINGER DETAIL



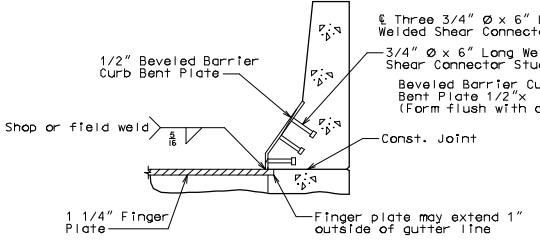
PART PLAN OF EXPANSION DEVICE



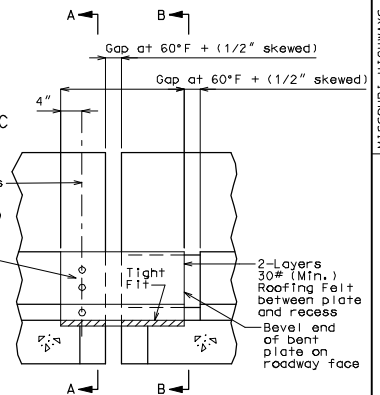
PART SECTION B-B



SECTION C-C



PART SECTION A-A



ELEVATION OF BARRIER CURB

**DETAILS OF FINGER PLATE EXPANSION DEVICE AT END BENT NO.**

Note: This drawing is not to scale. Follow dimensions. Sheet No. of

Detailed Checked