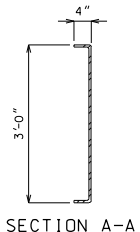
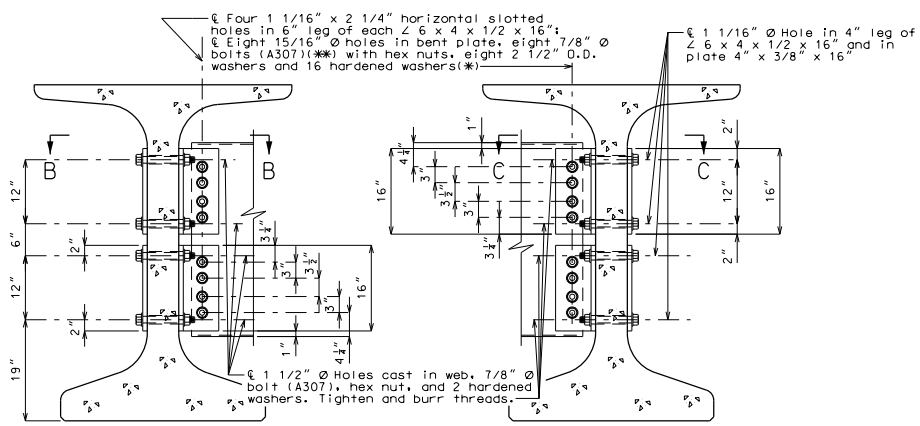


PART SECTION SHOWING INTERMEDIATE DIAPHRAGMS



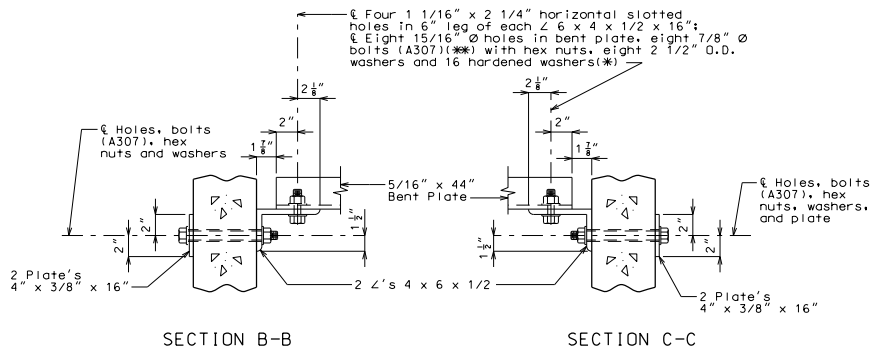
SECTION A-A



SECTION THRU INT. GIRDER AT DIAPHRAGM

SECTION THRU EXT. GIRDER AT DIAPHRAGM

Standard Drawing Guidance (Do not show on plans):  
 Check that the 1 1/2"Ø holes for the diaphragms shown on the design plans will provide a minimum clearance of at least 1 1/2" to any prestressing strands. Diaphragm spacing may need to be adjusted.



SECTION B-B

SECTION C-C

**STEEL DIAPHRAGM NOTES:**

- (\*) In lieu of 2 1/2" outside diameter washers, contractor may substitute a 3/16" (Min. thickness) plate with four 15/16" Ø holes and one hardened washer per bolt.
- (\*\*) Bolts shall be tightened to provide a tension of one-half that specified in Sec 712 for high strength bolt installation. A325 bolts may be substituted for and installed in accordance with the requirements for the specified A307 bolts.
- All diaphragm materials including bolts, nuts, and washers shall be galvanized.
- Fabricated structural steel shall be ASTM A709 Grade 36 except as noted.
- Payment for furnishing and installing steel intermediate diaphragms will be considered completely covered by the contract unit price for Steel Intermediate Diaphragm for P/S Concrete Girders.
- Shop drawings will not be required for steel intermediate diaphragms and angle connections.
- For location of intermediate diaphragms, see Sheet No. .

**STEEL INTERMEDIATE DIAPHRAGM DETAILS**

Detailed  
Checked

Note: This drawing is not to scale. Follow dimensions. Sheet No. of

MISSOURI HIGHWAYS AND TRANSPORTATION COMMISSION  
 105 WEST CAPITOL JEFFERSON CITY, MO 65102  
 1-888-ASK-MODOT (1-888-275-6636)

DATE PREPARED 1/20/2012	
ROUTE *	STATE MO
DISTRICT BR	SHEET NO. *
COUNTY *	
JOB NO. *	
CONTRACT ID. *	
PROJECT NO.	
BRIDGE NO. DIA 15	
DESCRIPTION	
DATE	

IF A SEAL IS PRESENT ON THIS SHEET IT HAS BEEN ELECTRONICALLY SEALED AND DATED.  
 \*THIS MEDIA SHOULD NOT BE CONSIDERED A CERTIFIED DOCUMENT.\*