

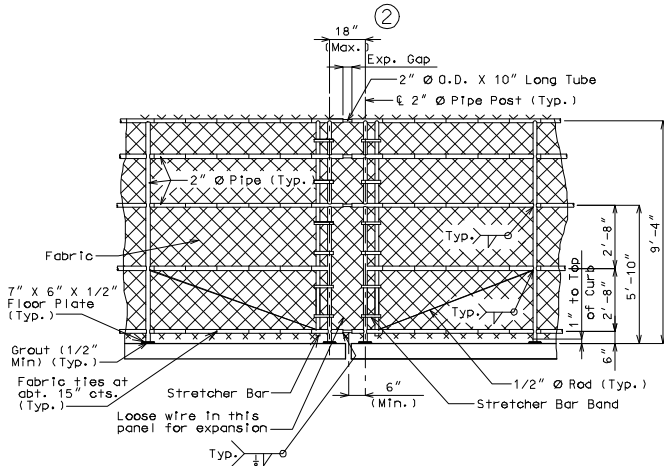
"THIS MEDIA SHOULD NOT BE CONSIDERED A CERTIFIED DOCUMENT."

DATE PREPARED 06/12/2009
 ROUTE STATE MO
 DISTRICT BR SHEET NO. *
 COUNTY *
 JOB NO. *
 CONTRACT ID.
 PROJECT NO.
 BRIDGE NO. FEN 01

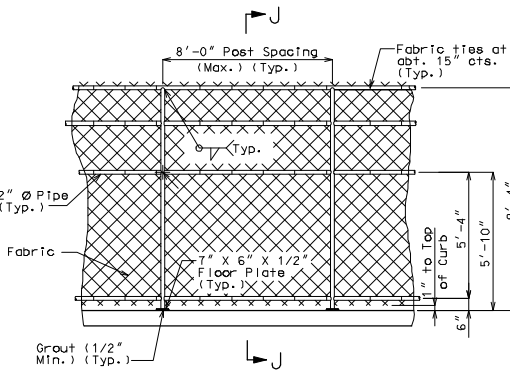
DESCRIPTION

DATE

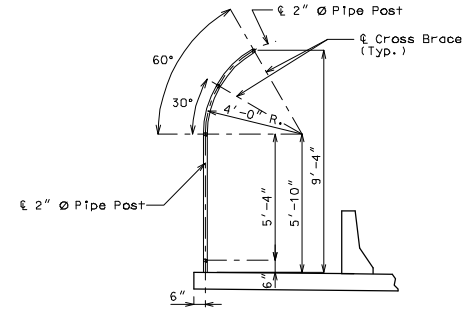
MISSOURI HIGHWAYS AND TRANSPORTATION COMMISSION
 105 WEST CAPITOL JEFFERSON CITY, MO 65102
 1-888-ASK-MODOT (1-888-275-6636)



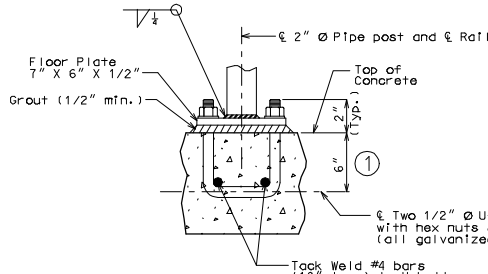
DETAIL OF PEDESTRIAN FENCE SHOWING EXPANSION DEVICE GAP



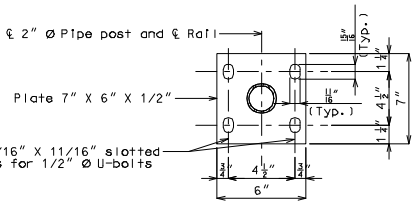
TYPICAL SECTION OF CURVED TOP PEDESTRIAN CHAIN LINK FENCE



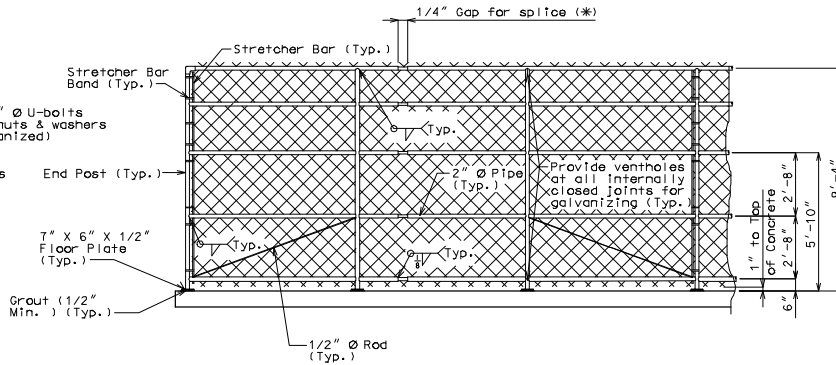
SECTION J-J



POST CONNECTION (TYPICAL)



PLAN OF FLOOR PLATE



TYPICAL SECTION NEAR SPLICE GAP

* At about 30'-0" centers with at least one splice gap between pull posts.

NOTE:

Pedestrian guard fence (chain link type) shall be in accordance with Sec 1043 except all fabric shall have the top and bottom edges knuckled.

All rail post shall be vertical. Grout of 1/2" minimum thickness shall be placed under floor plates to provide for vertical alignment of rail posts.

Payment for furnishing, galvanizing and erecting the fence and frame complete with anchor bolts and washers will be considered completely covered by the contract unit price for (112 in.) Curved Top Pedestrian Fence (Structures) per linear foot.

Dimensions of pedestrian guard fence are measured horizontally.

The maximum spacing allowed for the braced panels (Pull posts) is 100 ft.

Connect the lower end of the 1/2" Ø rod to the end of the braced panel to which the stretcher bar is attached.

(112 in.) Curved Top Pedestrian Fence (Structures) will be measured to the nearest linear foot for each structure measured along the bottom outside edge of the sidewalk curb from ----- to -----

Core wire size for wire fabric shall be 6 gage minimum.

DETAILS OF CURVED TOP PEDESTRIAN CHAIN LINK FENCE

Detailed Checked

Note: This drawing is not to scale. Follow dimensions.

Sheet No. of