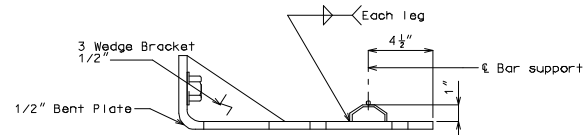
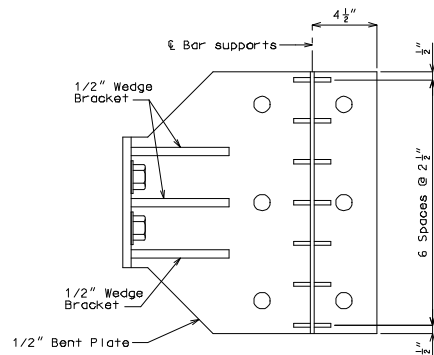


ROUTE	STATE	DISTRICT	SHEET NO.
	MO		
JOB NO.			
CONTRACT ID			
PROJECT NO.			
COUNTY			DATE

When a latex, a low slump or a silica fume concrete overlay is used, add the following details:



PART SECTION THRU PLATE



PLAN OF BENT PLATE

Note: Bar supports shall be Beam Bolsters (BB - ref. CRS1) and shall be galvanized. See Sec 706.